

# Axiom C Canopy

## Installation Guide



## 01 Preparation

### Axiom C Canopy Components

Item No.	Description
55 14 11 G	Axiom C Canopy Profile
C 3000 H	C Channel 19 x 38mm
A WDN 21 H	T-bar hanger
A 345 G	Axiom Vector MicroLook Tegular Profile corner post
A 348 G	Channel Bracket for Canopy (Aircraft cable included in the kit)
CA 97 H	Clamp for C channel
A 347 G	24mm XL <sup>2</sup> connector clip
A 346 G	15mm XL <sup>2</sup> connector clip
A 339 J	Axiom Universal T-bar connector clip for cut tees with screws

Axiom C Canopy is a modular suspension system supplied kit with ready-to-assemble components (partly listed above).

### Initial Recommendations

- ✔ Axiom C Canopies should always be installed in accordance with all applicable building codes and regulations.
- ✔ Axiom C Canopies, as any other architectural feature located in the ceiling plane, may obstruct or skew the existing or planned fire sprinkler distribution pattern or even delay the activation of the fire detection system. Designers and installers are advised to consult a fire protection engineer for guidance on the proper installation techniques where fire detection or suppression systems are present.
- ✔ Any additional load (such as light spots) **MUST NOT** be suspended from the canopy but independently from the soffit.
- ✔ Axiom C Canopies should be always installed on a horizontal plane.
- ✔ Axiom C Canopies are only suitable for indoor applications.
- ✔ Axiom C Canopies can reach a significant weight. In order to minimise the risk of injuries, the canopies should be installed by a minimum of 2 people.
- ✔ Suspension elements such as threaded rods, anchors or any other element not included in the kit must be chosen to ensure a safe installation and follow local regulations.
- ✔ It is recommended to assemble the canopy under the final ceiling location to avoid later movement.

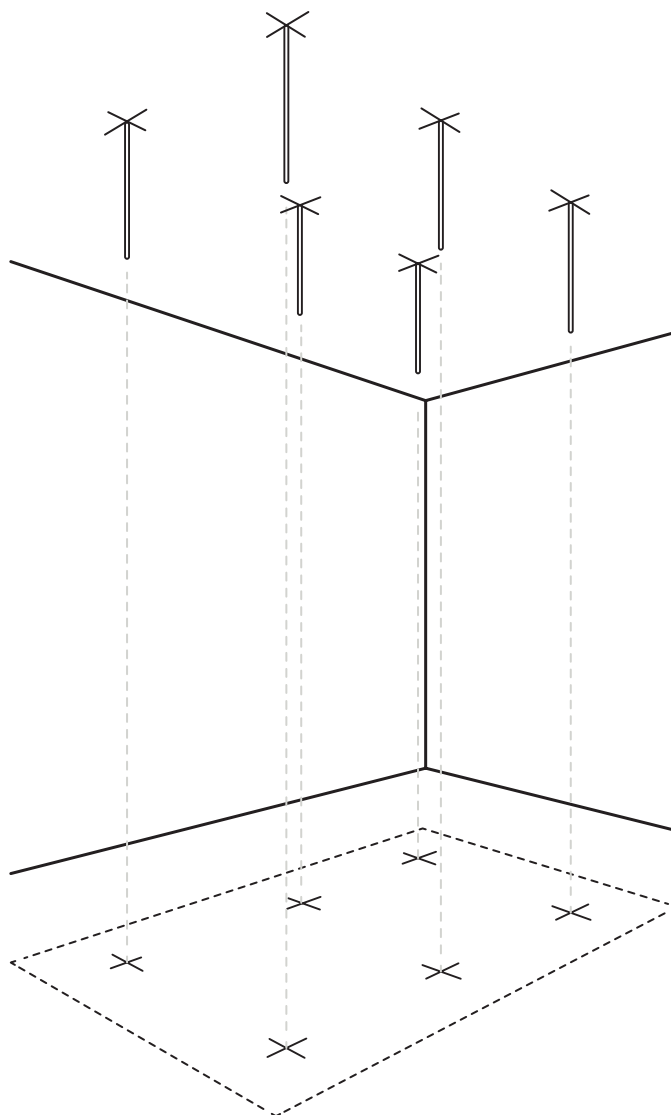
Gloves supplied in the kit are used to prevent marking the components during installation. They are **NOT** meant to be used as safety gloves.

## 01 Preparation

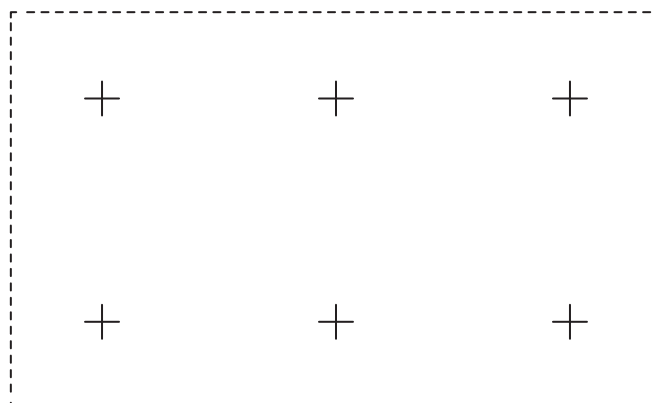
### Suspension Points

Suspension points should be determined before installing the canopy.

See the recommended suspension point matrix on the last page of this guide.

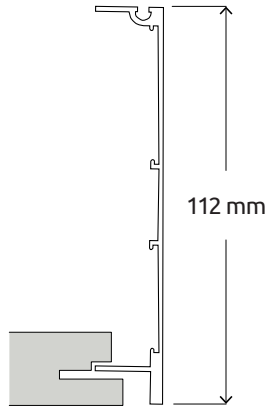


**1.8 x 3m module**

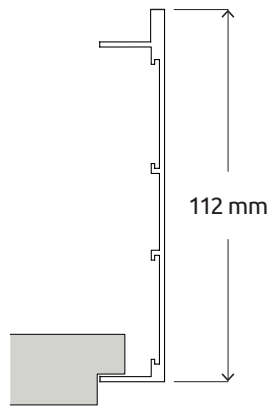


## 02 The Chassis on the floor

### Axiom C Canopy 55 14 11 G

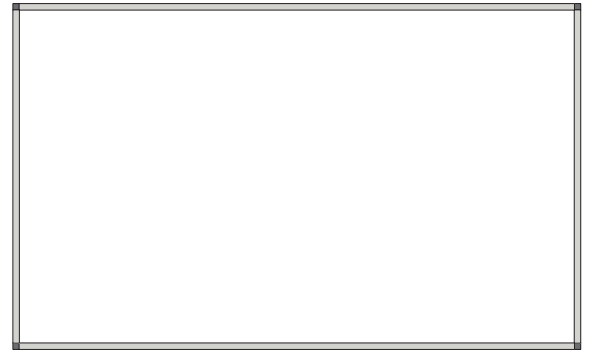


**Vector**

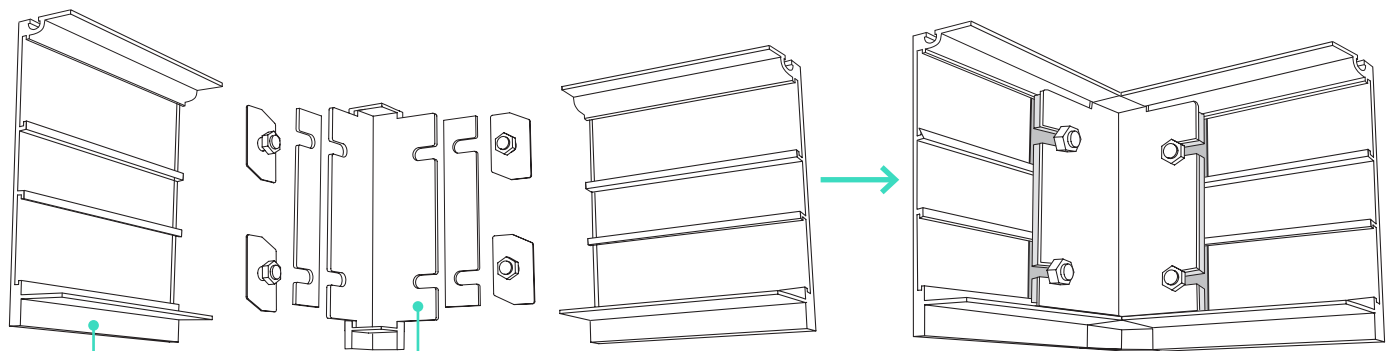


**MicroLook**

The 1.8 x 3.0m module is used as an example only



4 Axiom profiles / 4 corner posts



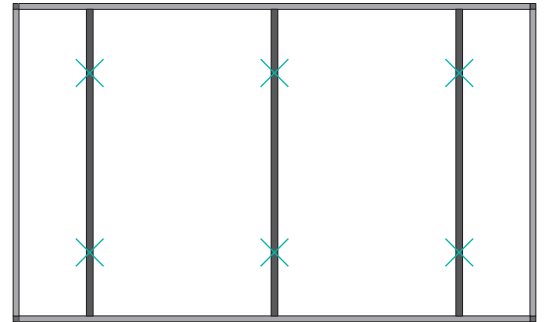
Axiom Profile

Corner Post A 345 G

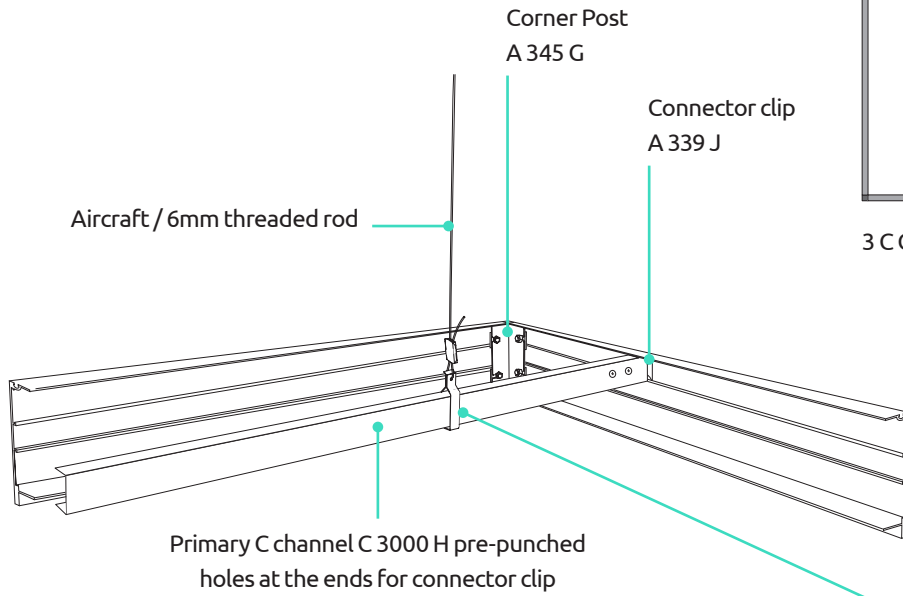
# 03 The Primary Grid

on the floor

The 1.8 x 3.0m module is used as an example only

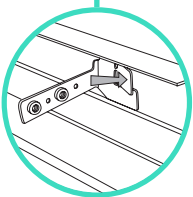
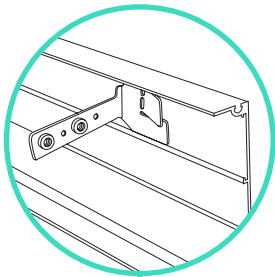


3 C Channels / 6 Universal T-bar connector clips

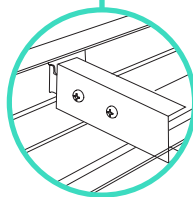
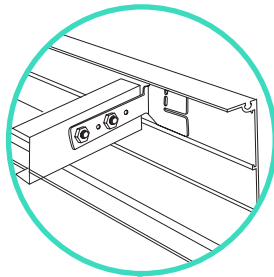


## Suspension options

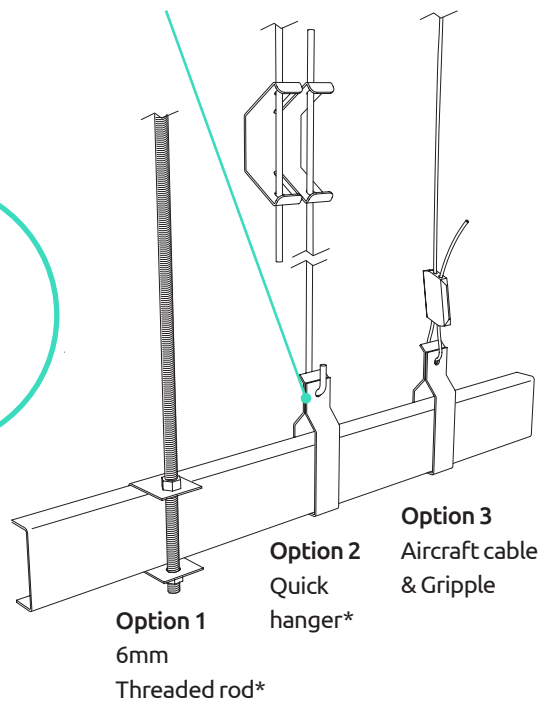
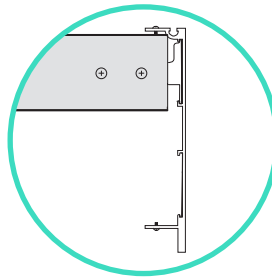
1 Axiom Universal T-bar connector clip A 339 J



2



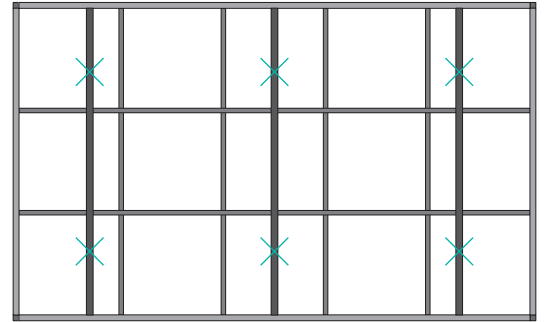
3



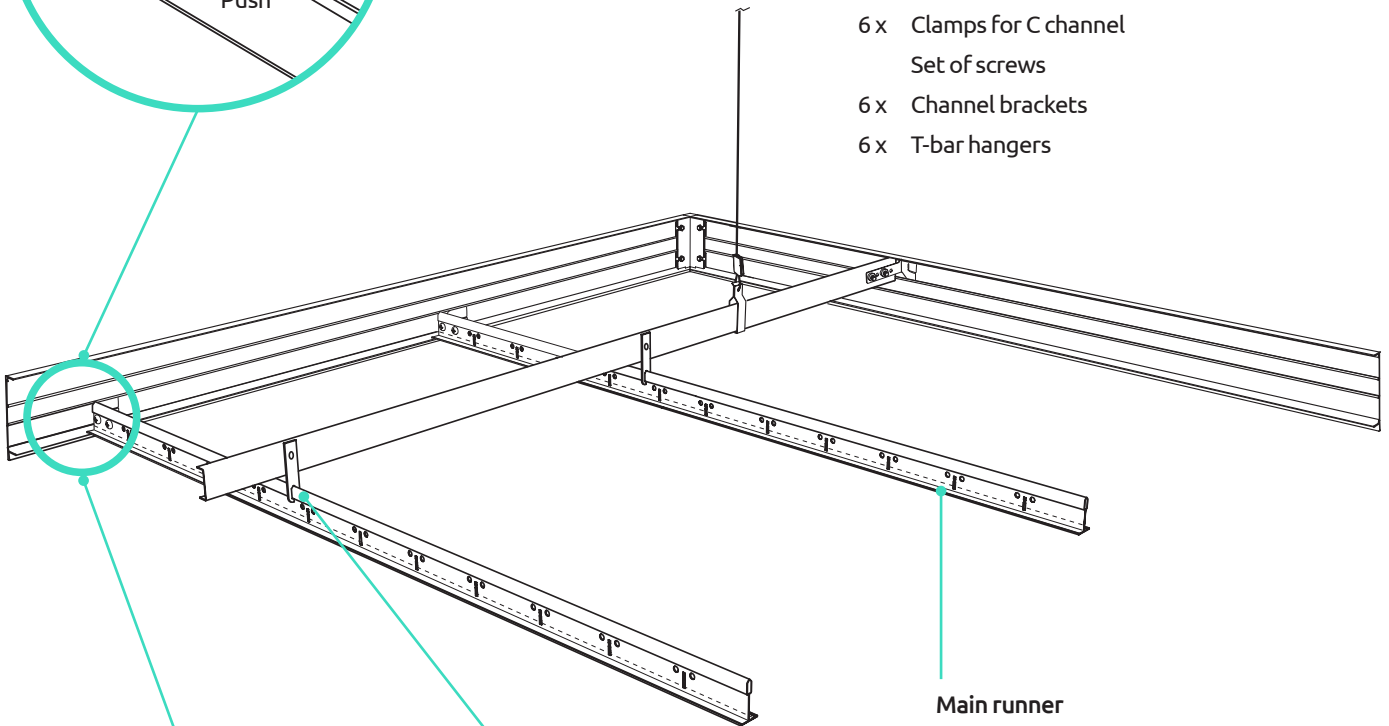
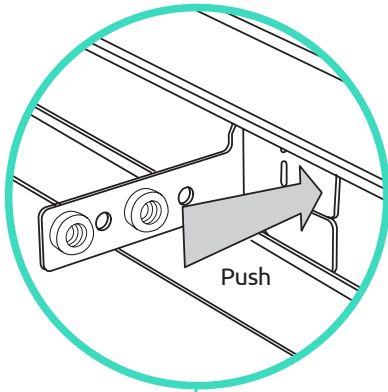
\*not included in the kit

## 04 The Grid – Main Runner in the air

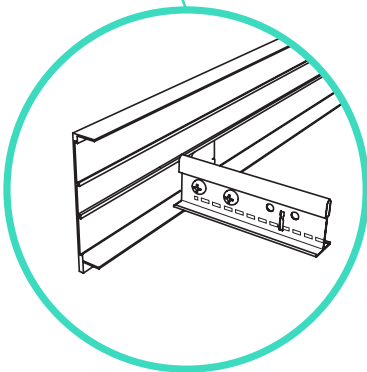
The 1.8 x 3.0m module is used as an example only



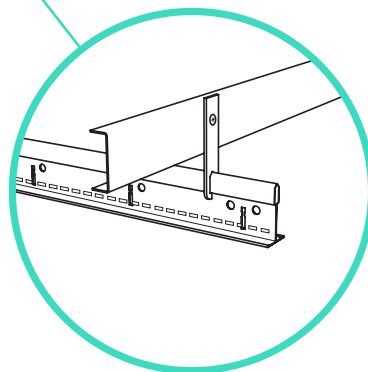
- 2 x Main runners
- 12 x XL<sup>2</sup> Cross tees
- 10 x Universal T-bar connector clips
- 8 x XL<sup>2</sup> Cross tee connector clips
- 6 x Clamps for C channel
- Set of screws
- 6 x Channel brackets
- 6 x T-bar hangers



**Main runner**  
Pre cut according to cloud size  
Pre-punched holes at the end of alignment  
with Universal T-bar connector clip

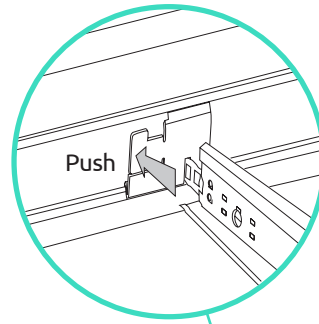
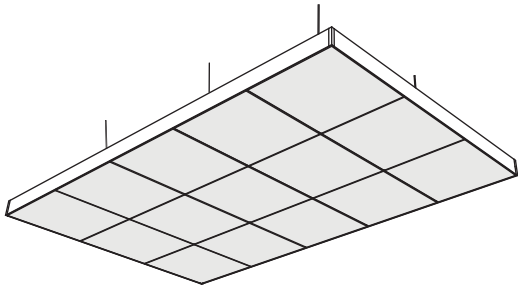


Universal T-bar connector  
clip A 339 J



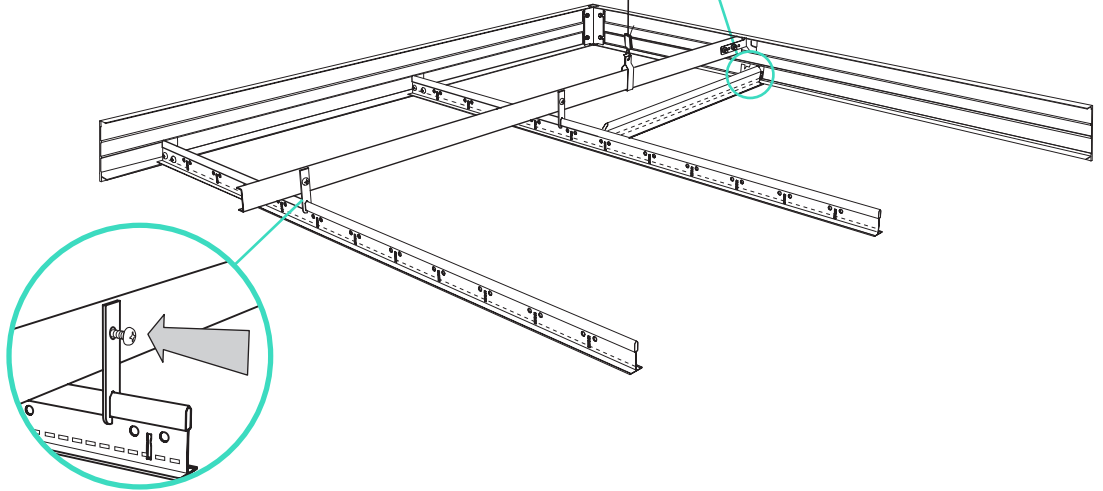
T-bar hanger  
A WDN 21 H

## 05 The Grid – Cross tees in the air



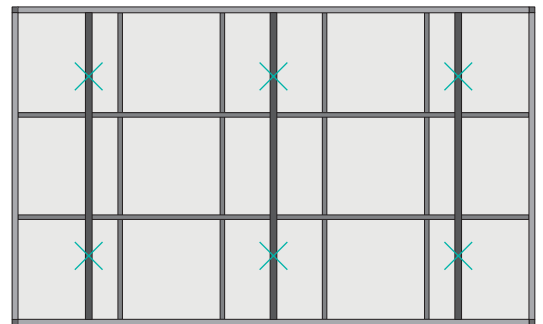
XL<sup>2</sup> 24 mm Cross Tee  
connector clip A 347 G

XL<sup>2</sup> 15 mm Cross Tee  
connector clip A 346 G

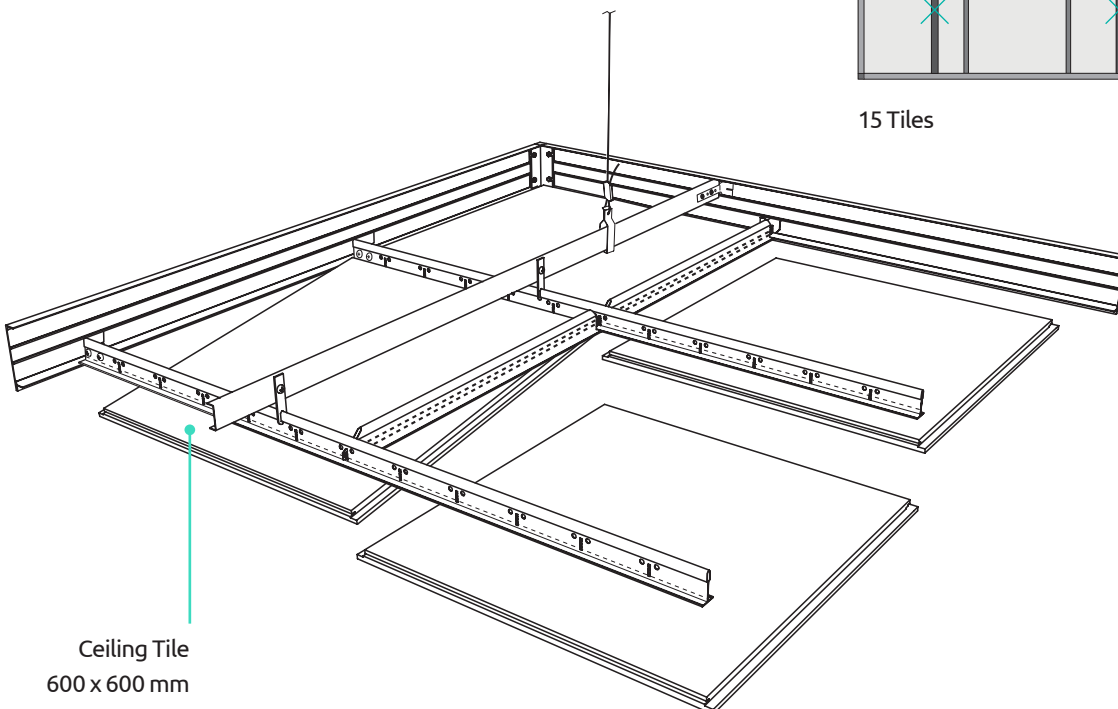


## 06 The Tiles

The 1.8 x 3.0m module is used as an example only



15 Tiles



Ceiling Tile  
600 x 600 mm

# 07 Physical Data

## Material

- Extruded aluminium profiles
- Axiom C is made from extruded aluminium, offers better registration, handling capability and finished appearance compared with standard cold-rolled steel

## Surface finish

- Polyester powder coated
- Global white

## Warranty

- For more information, please see our website

Module	Grid system 15 mm XL <sup>2</sup> Item No.	Grid system 24 mm XL <sup>2</sup> Item No.
1200 x 1200mm	AX 22 G15	AX 22 G24
1800 x 1200mm	AX 32 G15	AX 32 G24
1800 x 1800mm	AX 33 G15	AX 33 G24
2400 x 1200mm	AX 42 G15	AX 42 G24
2400 x 1800mm	AX 43 G15	AX 43 G24
2400 x 2400mm	AX 44 G15	AX 44 G24
3000 x 1200mm	AX 52 G15	AX 52 G24
3000 x 1800mm	AX 53 G15	AX 53 G24
3000 x 2400mm	AX 54 G15	AX 54 G24
3000 x 3000mm	AX 55 G15	AX 55 G24

## Ceiling tiles are NOT included in the kit.

- Max. tile load: 10 kg/m<sup>2</sup>

For further information on customised size models please contact Zentia Technical Sales.

### Advisory note:

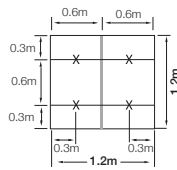
All statements and technical information contained in this brochure, or any publication of the companies named in this brochure, relating to Zentia are based on results obtained under laboratory test conditions.

It is the responsibility of the user to verify with the seller of the products in writing that such statements and information are appropriate to the specific use intended.

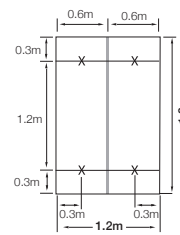
Sales of the products and liability of the selling companies are in accordance with the terms and conditions of sale of the selling company.

All product specifications are subject to modifications without prior notice.

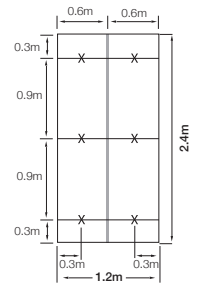
4 tiles



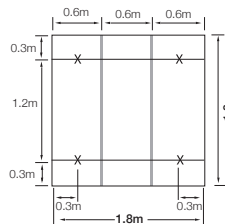
6 tiles



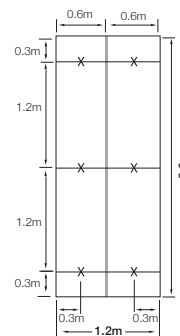
8 tiles



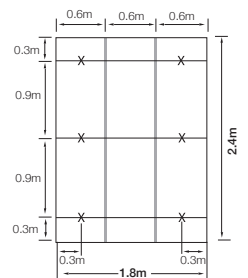
9 tiles



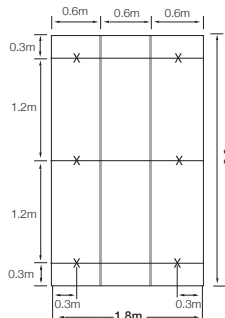
10 tiles



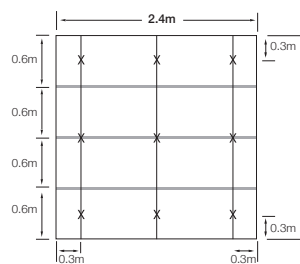
12 tiles



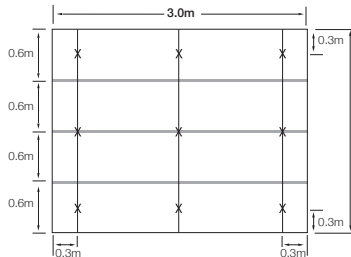
15 tiles



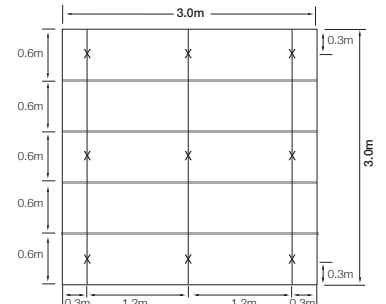
16 tiles



20 tiles



25 tiles



- Main Runner
- C Channel
- X Fixing Point