

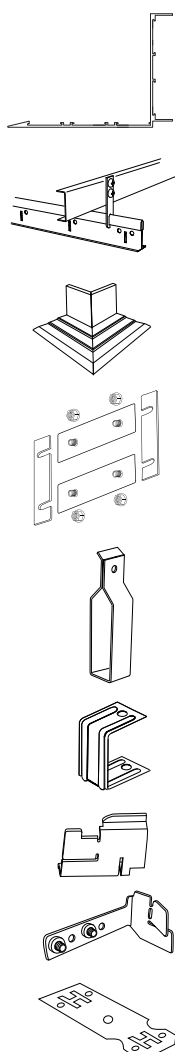
DecoFrame Kit Blade Canopy

Installation Guide



01 Preparation

DecoFrame Kit Blade Canopy Components



Item No.	Description
CS 57 42 06 H	Gridline Aluminium Blade Canopy profile
C 3000 H	C Channel 19 x 38mm
A WDN 21 H	T-bar hanger
CS 57 H	Mitre corner piece
A 361 H	Mitre corner splice connector
A 348 H	Channel Bracket for Canopy (Aircraft cable included in the kit)
CA 97 H	Clamp for C channel
A 347 H	24mm Joggled connector clip
A 346 H	15mm Joggled connector clip
A 339 K	Universal T-bar connector clip for cut tees with screws
A 338 J	Universal splice plate

DecoFrame Kit Blade Canopy is a modular suspension system supplied kit with ready-to-assemble components (partly listed above).

Initial Recommendations

- // DecoFrame Kit Blade Canopies should always be installed in accordance with all applicable building codes and regulations.
- // DecoFrame Kit Blade Canopies, as any other architectural feature located in the ceiling plane, may obstruct or skew the existing or planned fire sprinkler distribution pattern or even delay the activation of the fire detection system. Designers and installers are advised to consult a fire protection engineer for guidance on the proper installation techniques where fire detection or suppression systems are present.
- // Any additional load (such as lighting) **MUST NOT** be suspended from the canopy but independently from the soffit.
- // DecoFrame Kit Blade Canopies should be always installed on a horizontal plane.
- // DecoFrame Kit Blade Canopies are only suitable for indoor applications.
- // DecoFrame Kit Blade Canopies can reach a significant weight. In order to minimise the risk of injuries, the canopies should be installed by a minimum of 2 people.
- // Suspension elements such as threaded rods, anchors or any other element not included in the kit must be chosen to ensure a safe installation and follow local regulations.
- // It is recommended to assemble the canopy under the final ceiling location to avoid later movement.
- // It is recommended wearing appropriate PPE when installing, for example: gloves, safety glasses, safety masks, safety boots and long sleeves.

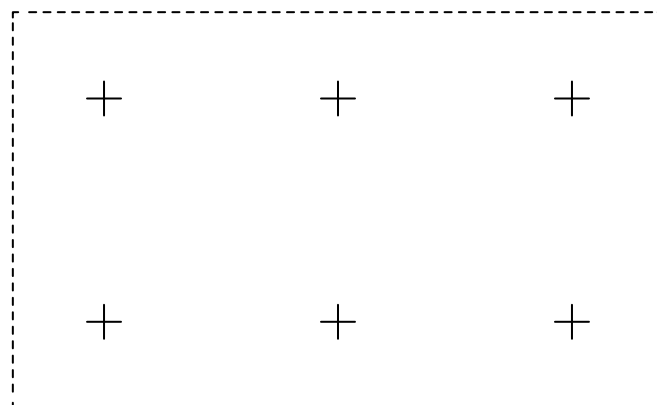
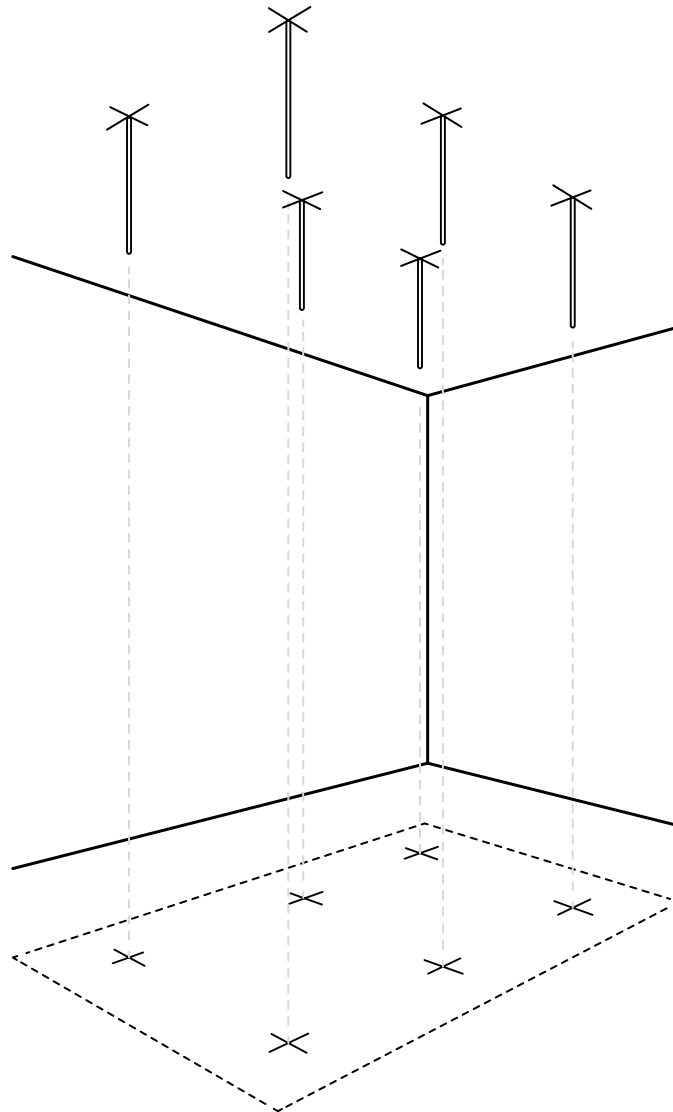
Gloves supplied in the kit are used to prevent marking the components during installation. They are **NOT** meant to be used as safety gloves.

01 Preparation

Suspension Points

Suspension points should be determined before installing the canopy.

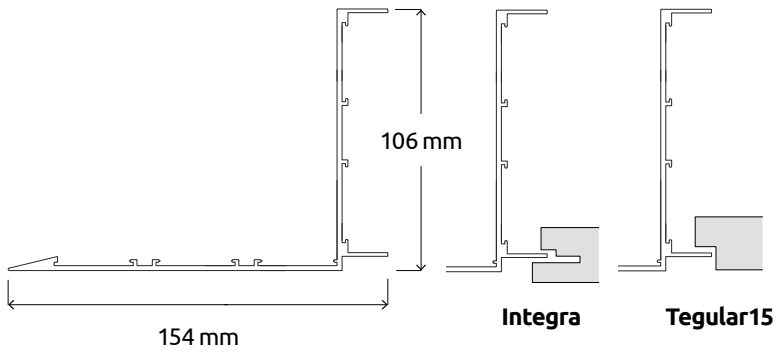
See the recommended suspension point matrix on the last page of this guide.



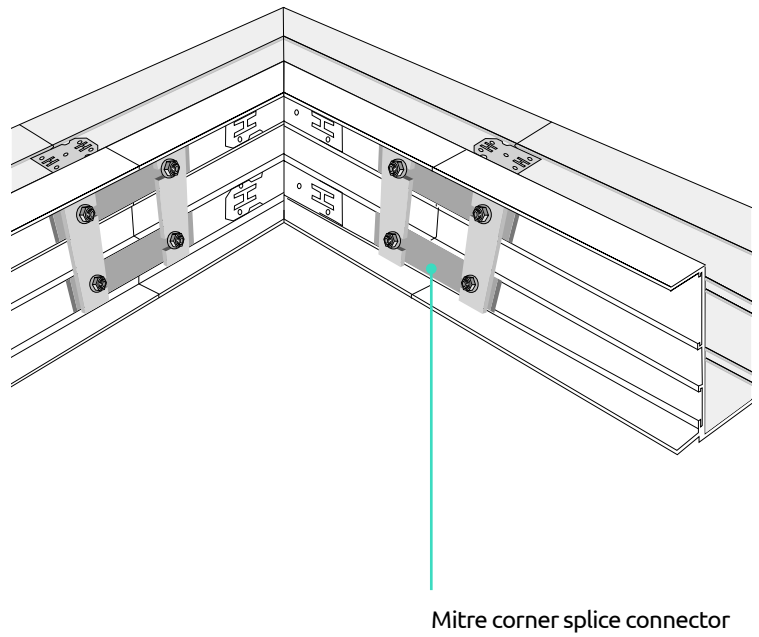
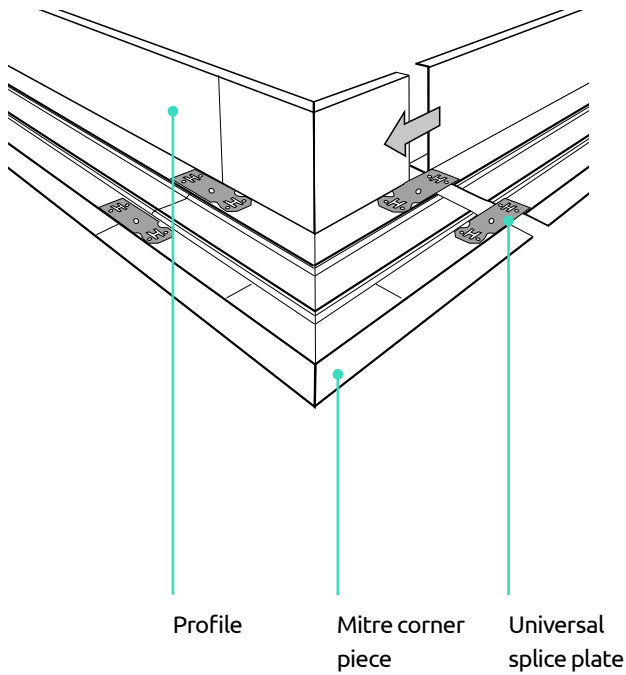
02 The Chassis on the floor

Gridline Aluminium DecoFrame Blade Profile CS 574206 H

The 1.8 x 3.0m module is used as an example only



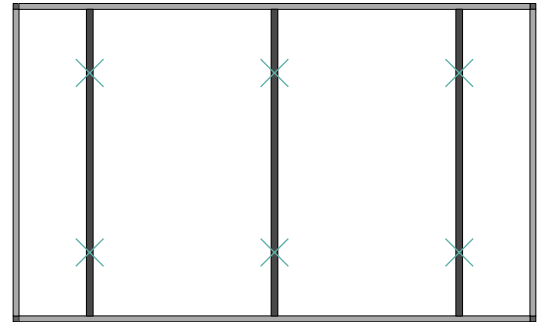
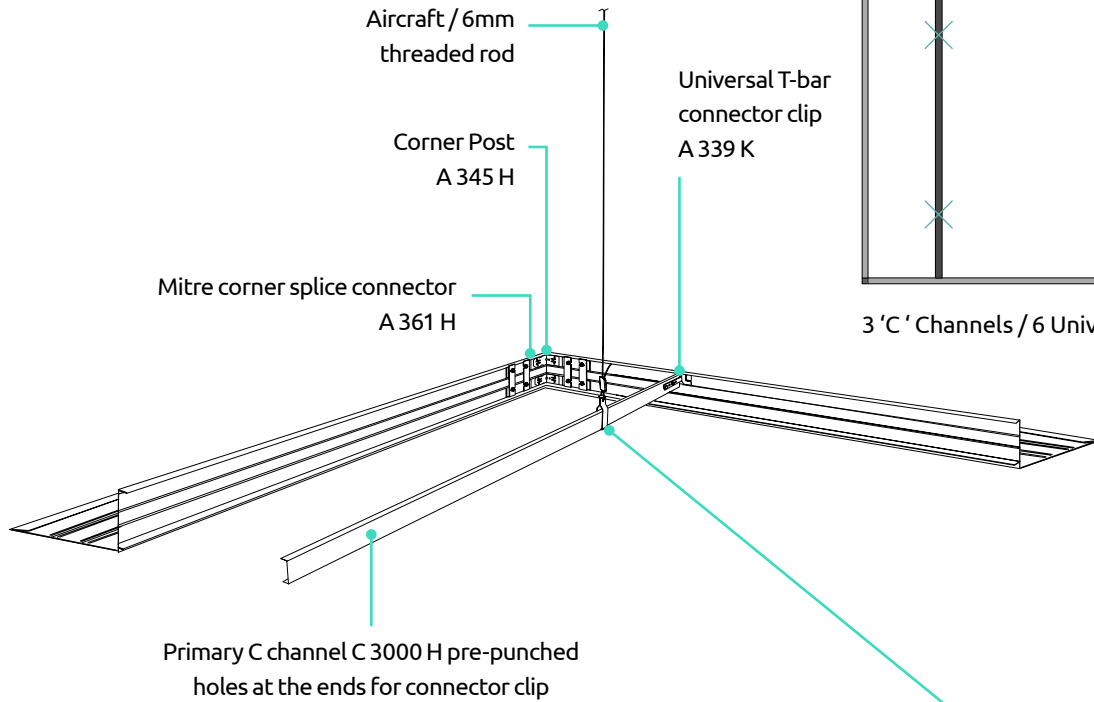
- 4 x Gridline Aluminium profiles
- 4 x Mitre corner pieces
- 16 x Universal splice plates
- 8 x Mitre corner splice connectors



03 The Primary Grid

on the floor

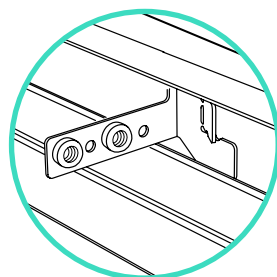
The 1.8 x 3.0m module is used as an example only



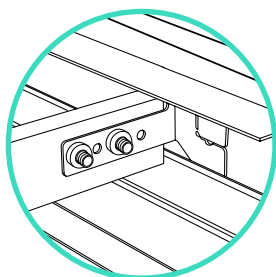
3 'C' Channels / 6 Universal T-bar connector clips

Suspension options

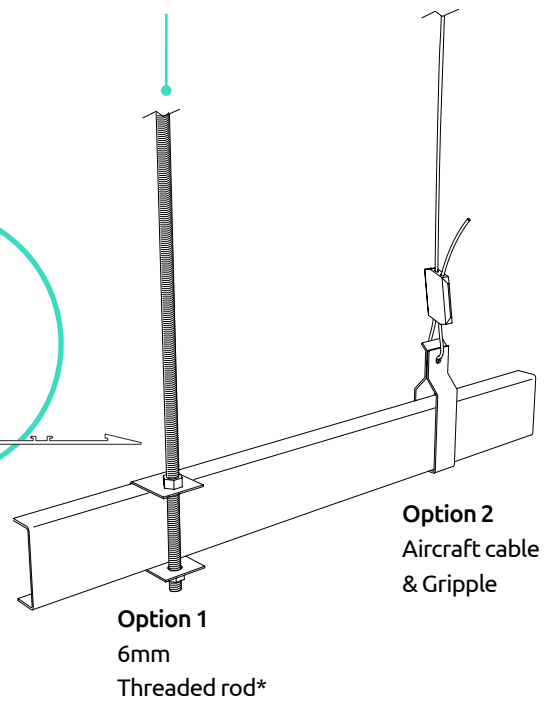
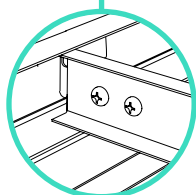
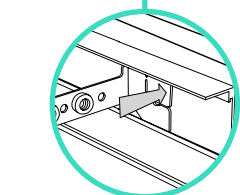
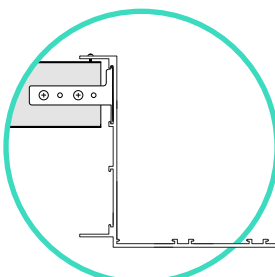
1 Universal T-bar connector clip A 339 K



2



3



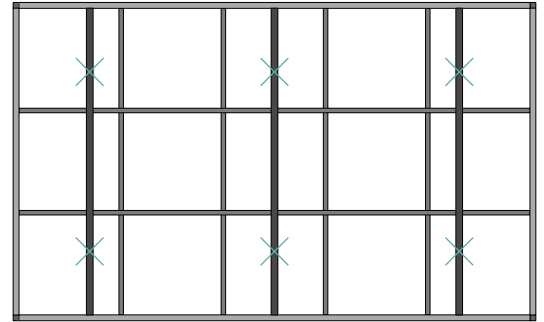
Option 1
6mm
Threaded rod*

Option 2
Aircraft cable
& Gripper

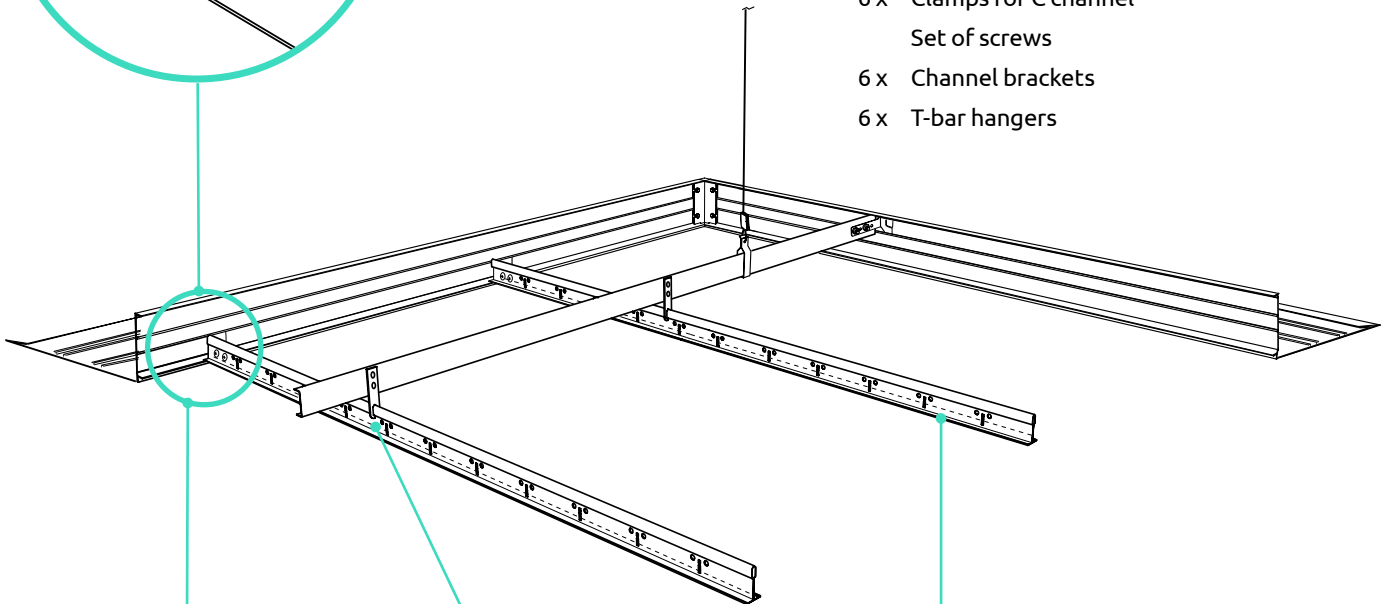
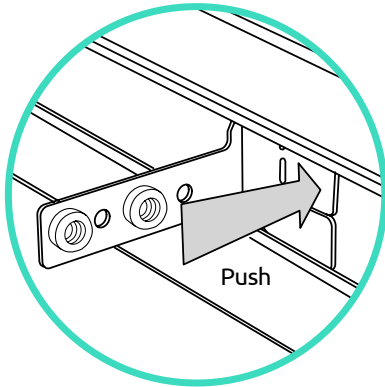
*not included in the kit

04 The Grid – Main Runner in the air

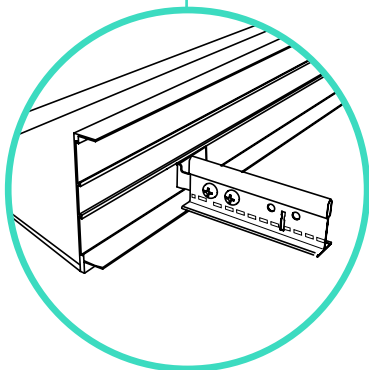
The 1.8 x 3.0m module is used as an example only



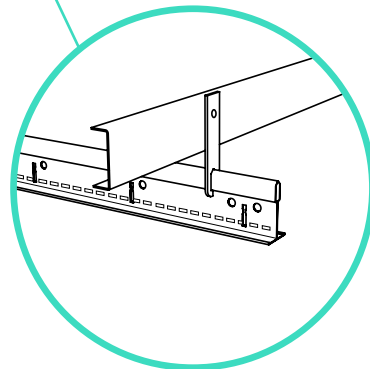
- 2 x Main runners
- 12 x Joggled Cross tees
- 10 x Universal T-bar connector clips
- 8 x Joggled Cross tee connector clips
- 6 x Clamps for C channel
- Set of screws
- 6 x Channel brackets
- 6 x T-bar hangers



Main runner
Pre cut according to cloud size
Pre-punched holes at the end of alignment
with Universal T-bar connector clip

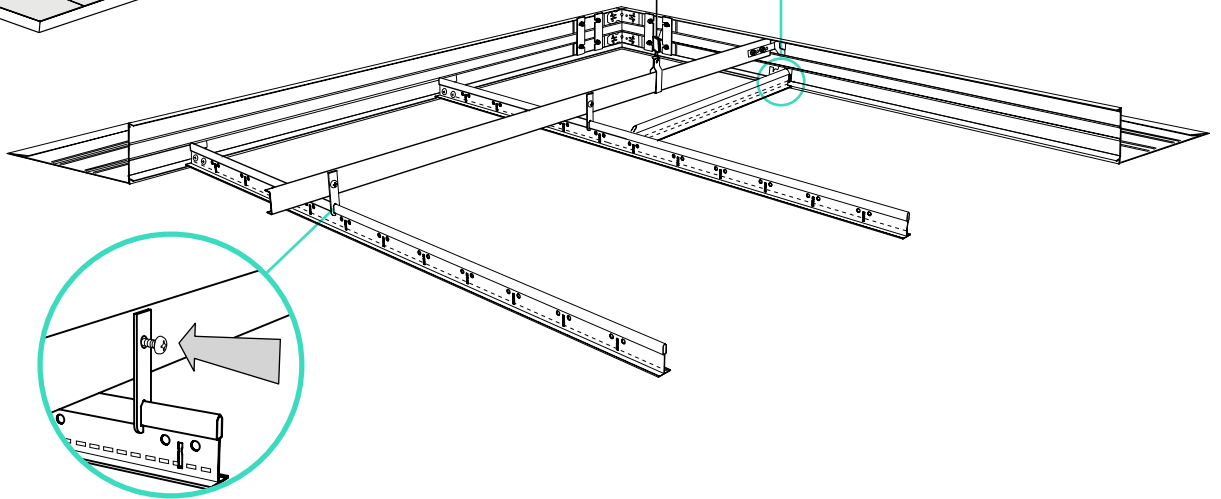
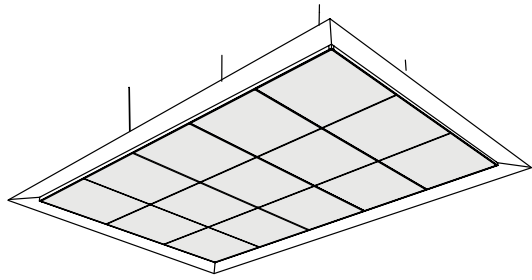


Universal T-bar connector
clip A 339 K



T-bar hanger
A WDN 21 H

05 The Grid – Cross Tees in the air

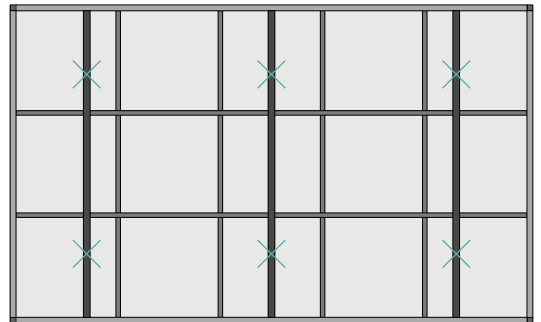


Joggled 24 mm
Cross Tee
connector clip
A 347 H

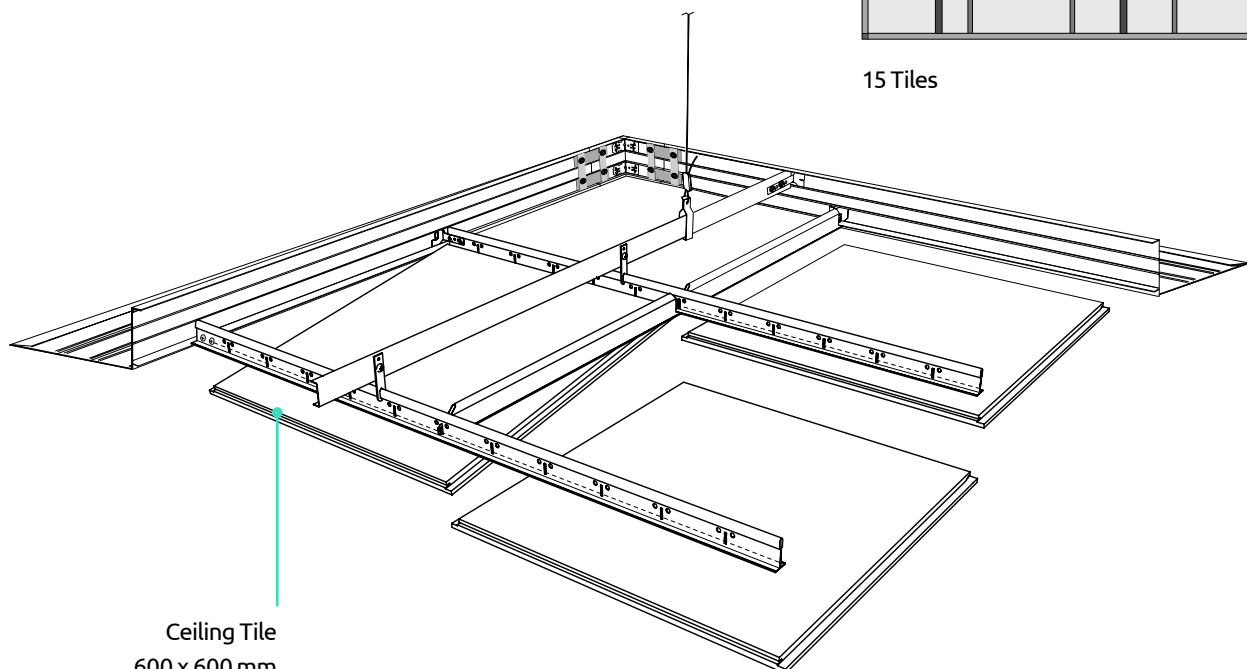
Joggled 15 mm
Cross Tee
connector clip
A 346 H

06 The Tiles

The 1.8 x 3.0m module is used as an example only



15 Tiles



Ceiling Tile
600 x 600 mm

07 Physical Data

Material

- Extruded aluminium profiles
- DecoFrame Kit Blade Canopy is made from extruded aluminium, offers better registration, handling capability and finished appearance compared with standard cold-rolled steel

Surface finish

- Polyester powder coated
- Global white

Warranty

- For more information, please see our website

20 pre-packed, read-to-assemble DecoFrame Blade Canopy kits, in 10 standard modules, will be available either with 15mm or 24mm grid:

Module	Grid system 15mm Joggled Item No.	Grid system 24mm Joggled Item No.
1200 x 1200mm	CS AK 22 G15 A	CS AX 22 G24 A
1800 x 1200mm	CS AK 32 G15 A	CS AX 32 G24 A
1800 x 1800mm	CS AK 33 G15 A	CS AX 33 G24 A
2400 x 1200mm	CS AK 42 G15 A	CS AX 42 G24 A
2400 x 1800mm	CS AK 43 G15 A	CS AX 43 G24 A
2400 x 2400mm	CS AK 44 G15 A	CS AX 44 G24 A
3000 x 1200mm	CS AK 52 G15 A	CS AX 52 G24 A
3000 x 1800mm	CS AK 53 G15 A	CS AX 53 G24 A
3000 x 2400mm	CS AK 54 G15 A	CS AX 54 G24 A
3000 x 3000mm	CS AK 55 G15 A	CS AX 55 G24 A

Ceiling tiles are NOT included in the kit.

- Max. tile load: 10 kg/m²

For further information on customised size models please contact Zentia Technical Sales.

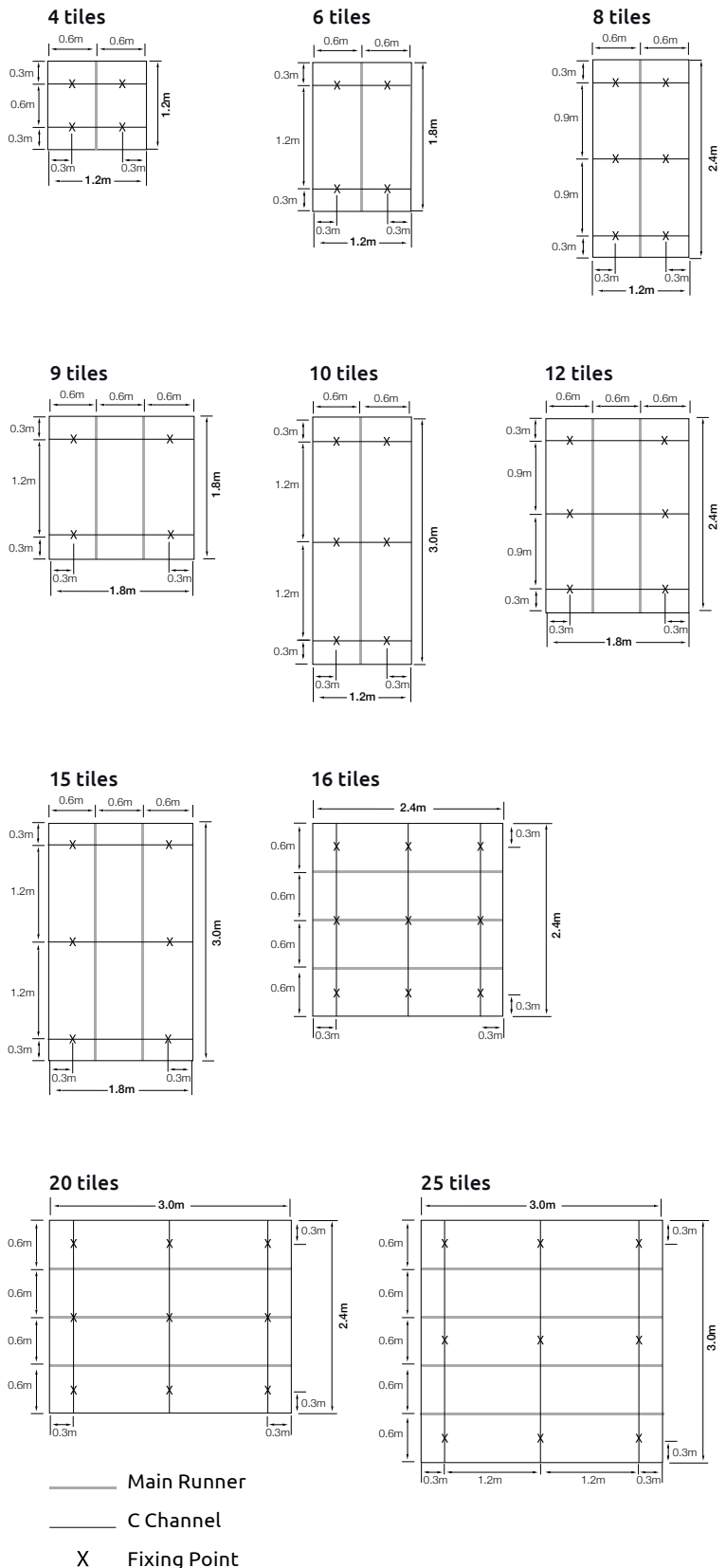
Advisory note:

All statements and technical information contained in this brochure, or any publication of the companies named in this brochure, relating to Zentia are based on results obtained under laboratory test conditions.

It is the responsibility of the user to verify with the seller of the products in writing that such statements and information are appropriate to the specific use intended.

Sales of the products and liability of the selling companies are in accordance with the terms and conditions of sale of the selling company.

All product specifications are subject to modifications without prior notice.



INS 217.1.08.24