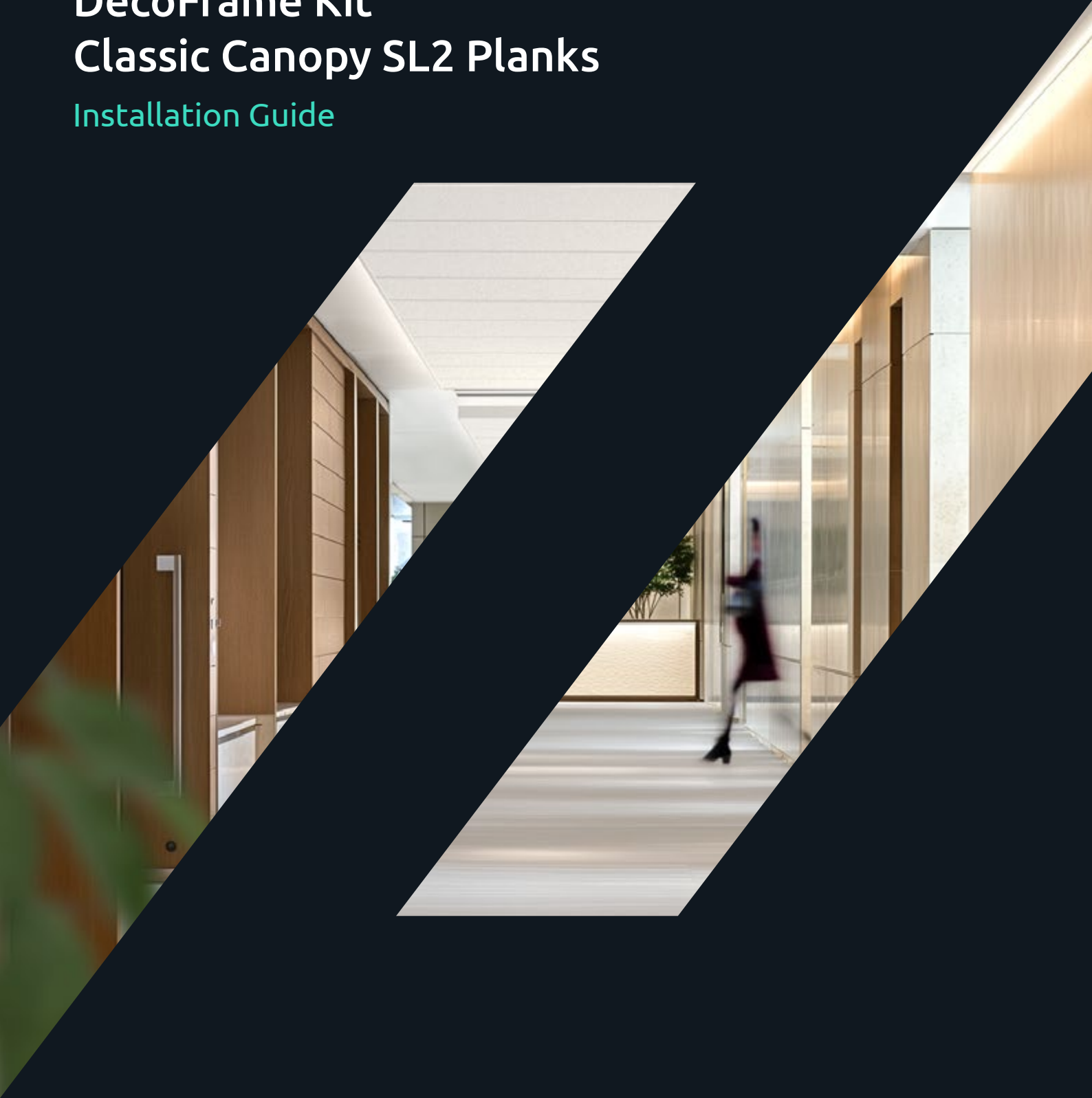


# DecoFrame Kit Classic Canopy SL2 Planks

Installation Guide

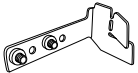
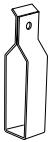
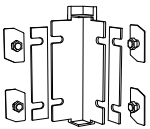
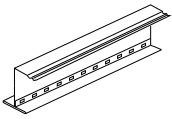
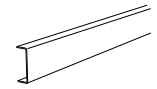


## 01 Preparation

### DecoFrame Kit Classic Canopy SL2 Planks Components



Item No.	Description
55 14 11 J	DecoFrame Kit Classic Canopy Profile
C 3000 H	C Channel 19 x 38mm
CZ 41 494 J	Z-bar 30.5mm
CZ 41 794 J	Z-bar 30.5mm
A 345 H	Gridline Aluminium Integra Tegular 24/15 for Canopy Corner Profile corner post
A 348 G	Channel Bracket for Canopy (Aircraft cable included in the kit)
CA 97 H	Clamp for C channel
A 339 K	Universal T-bar connector clip for cut tees with screws



DecoFrame Kit Classic Canopy is a modular suspension system supplied kit with ready-to-assemble components (partly listed above).

### Initial Recommendations

- ✔ DecoFrame Kit Classic Canopies should always be installed in accordance with all applicable building codes and regulations.
- ✔ DecoFrame Kit Classic Canopies, as any other architectural feature located in the ceiling plane, may obstruct or skew the existing or planned fire sprinkler distribution pattern or even delay the activation of the fire detection system. Designers and installers are advised to consult a fire protection engineer for guidance on the proper installation techniques where fire detection or suppression systems are present.
- ✔ Any additional load (such as light spots) MUST NOT be suspended from the canopy but independently from the soffit.
- ✔ DecoFrame Kit Classic Canopies should be always installed on a horizontal plane.
- ✔ DecoFrame Kit Classic Canopies are only suitable for indoor applications.
- ✔ DecoFrame Kit Classic Canopies can reach a significant weight. In order to minimise the risk of injuries, the canopies should be installed by a minimum of 2 people.
- ✔ Suspension elements such as threaded rods, anchors or any other element not included in the kit must be chosen to ensure a safe installation and follow local regulations.
- ✔ It is recommended to assemble the canopy under the final ceiling location to avoid later movement.

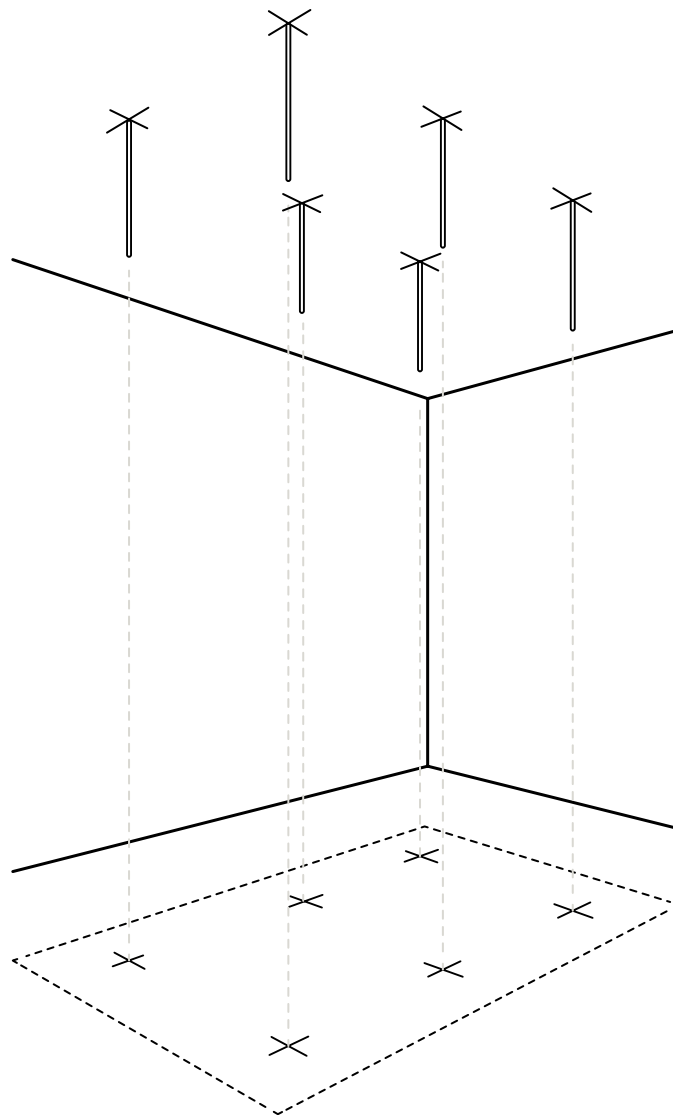
Gloves supplied in the kit are used to prevent marking the components during installation. They are **NOT** meant to be used as safety gloves.

## 01 Preparation

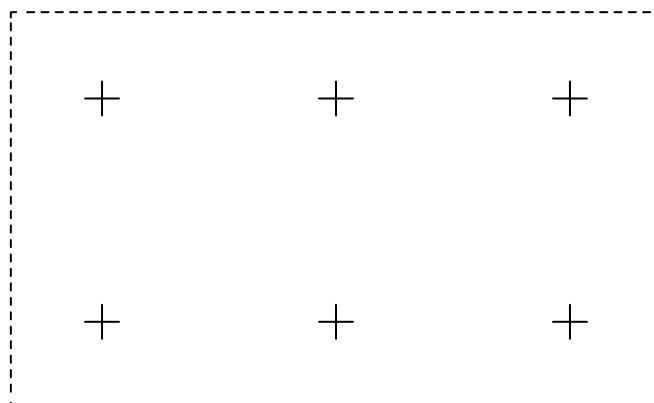
### Suspension Points

Suspension points should be determined before installing the canopy.

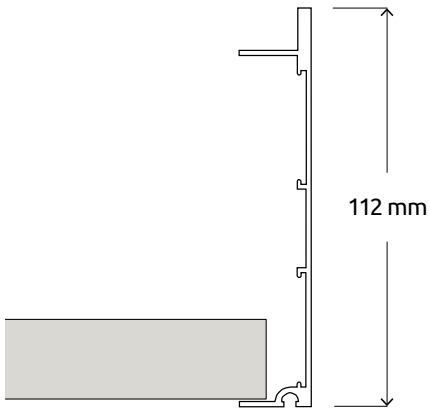
See the recommended suspension point matrix on the last page of this guide.



**1.8 x 3m module**

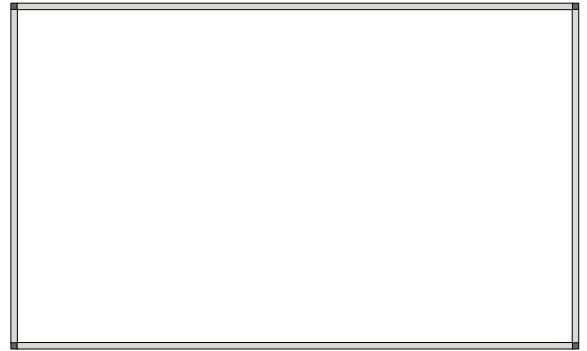


## 02 The Chassis on the floor

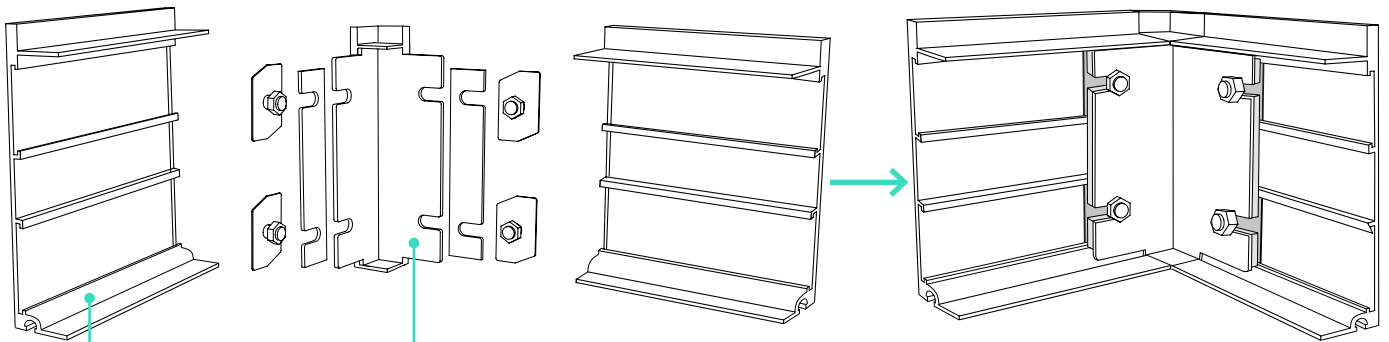
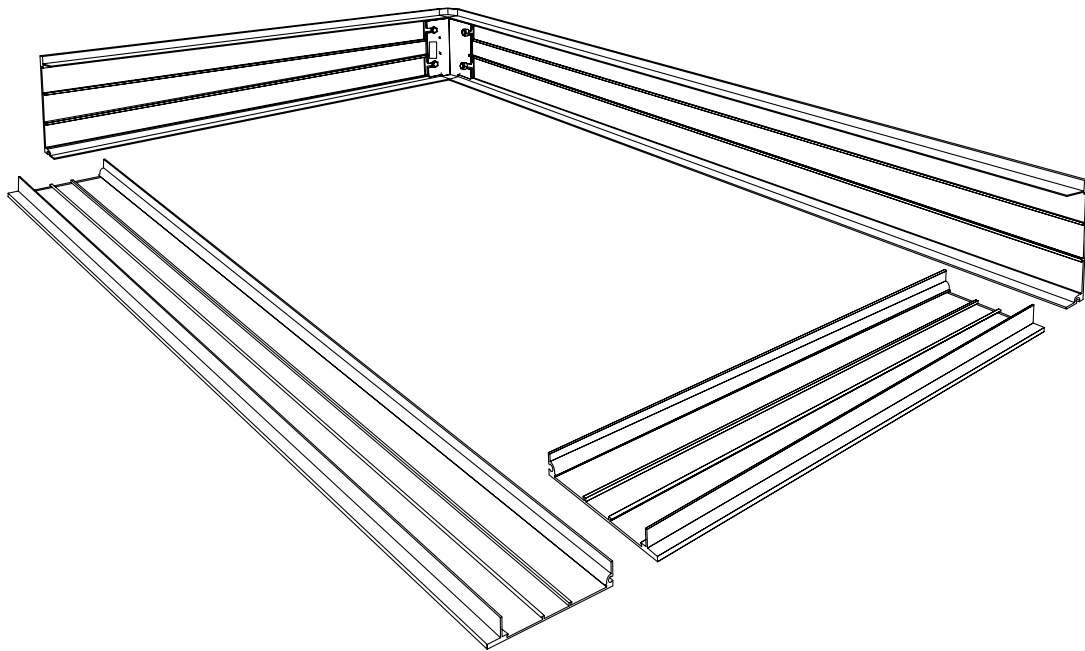


Gridline Aluminium Integra/Tegular 24 55 14 11 H

The 1.8 x 3.0m module is used as an example only



4 Gridline Aluminium profiles / 4 corner posts



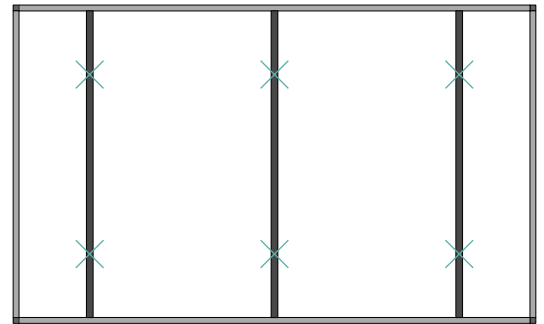
Gridline Aluminium Profile

Corner Post A 345 H

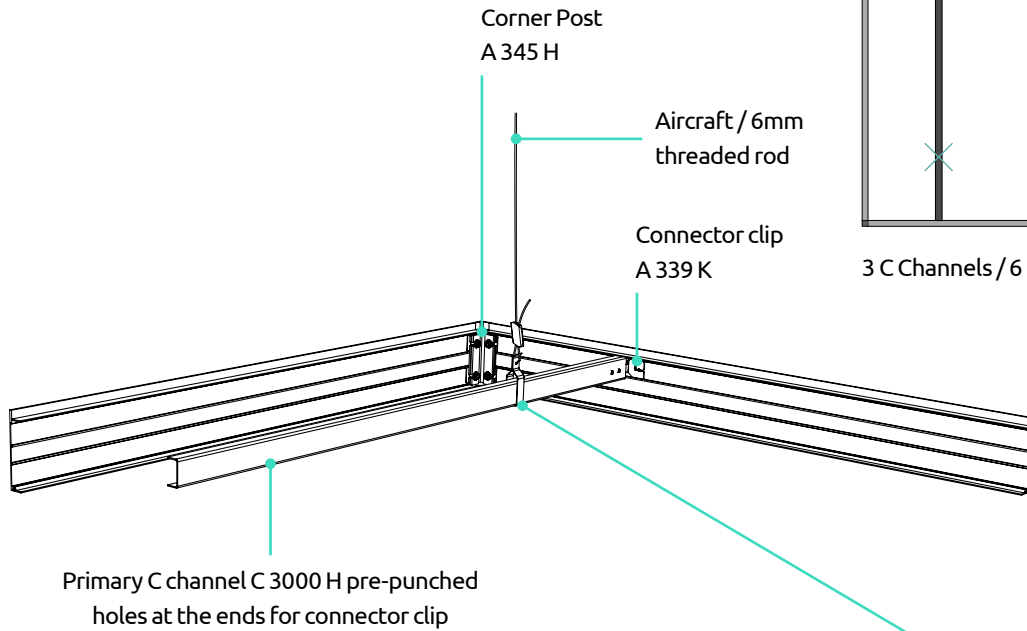
# 03 The Primary Grid

on the floor

The 1.8 x 3.0m module is used as an example only

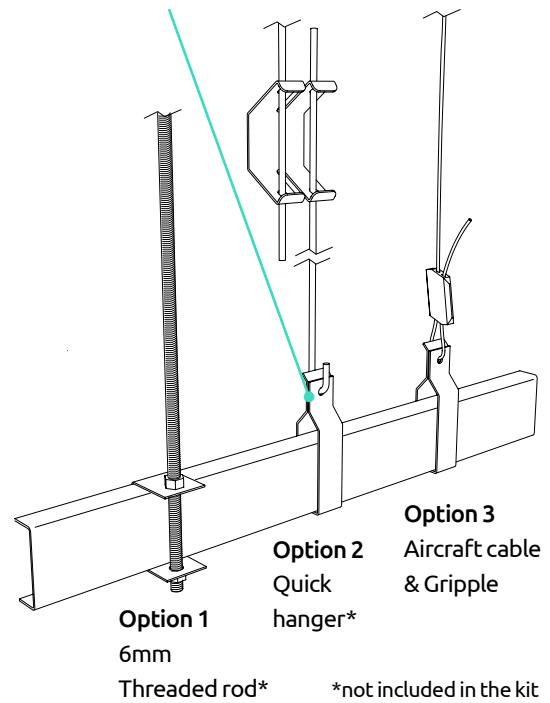
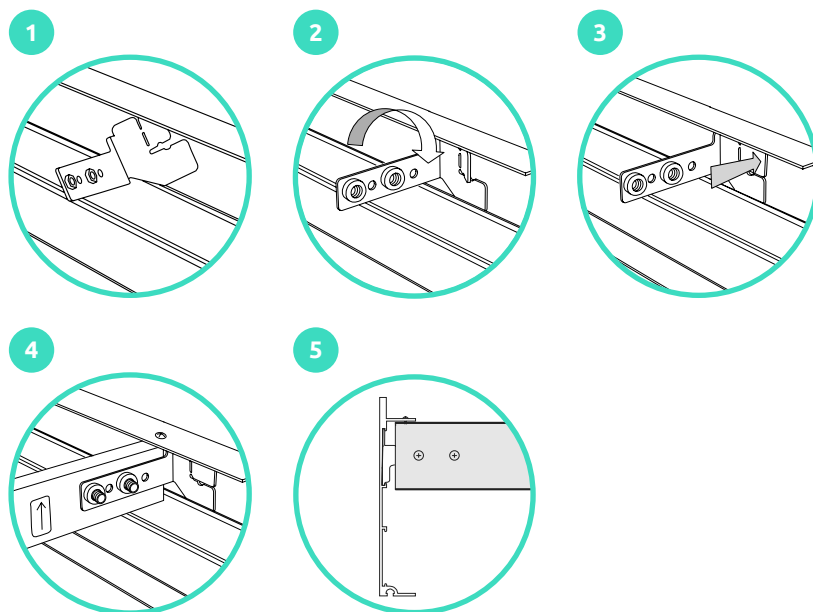


3 C Channels / 6 Connector clips



### Suspension options

### Universal T-bar connector clip A 339 K



**Option 1**  
6mm  
Threaded rod\*

**Option 2**  
Quick  
hanger\*

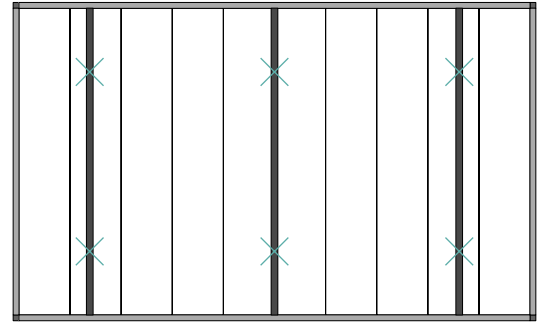
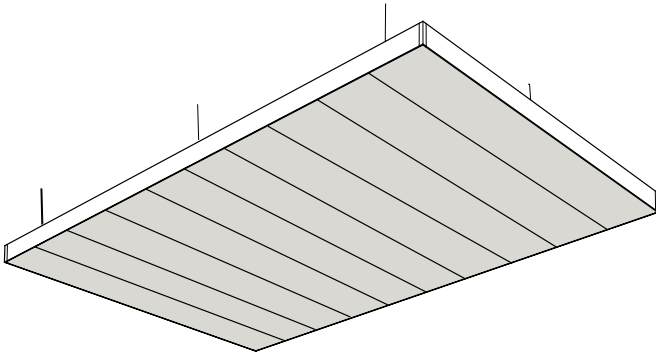
**Option 3**  
Aircraft cable  
& Gripper

\*not included in the kit

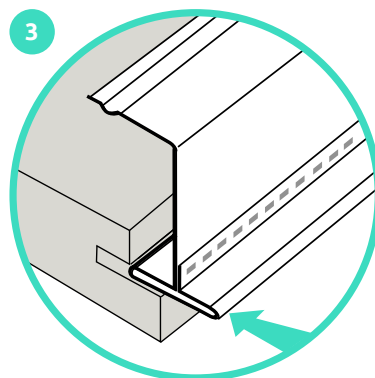
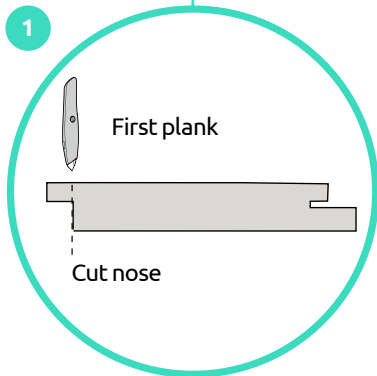
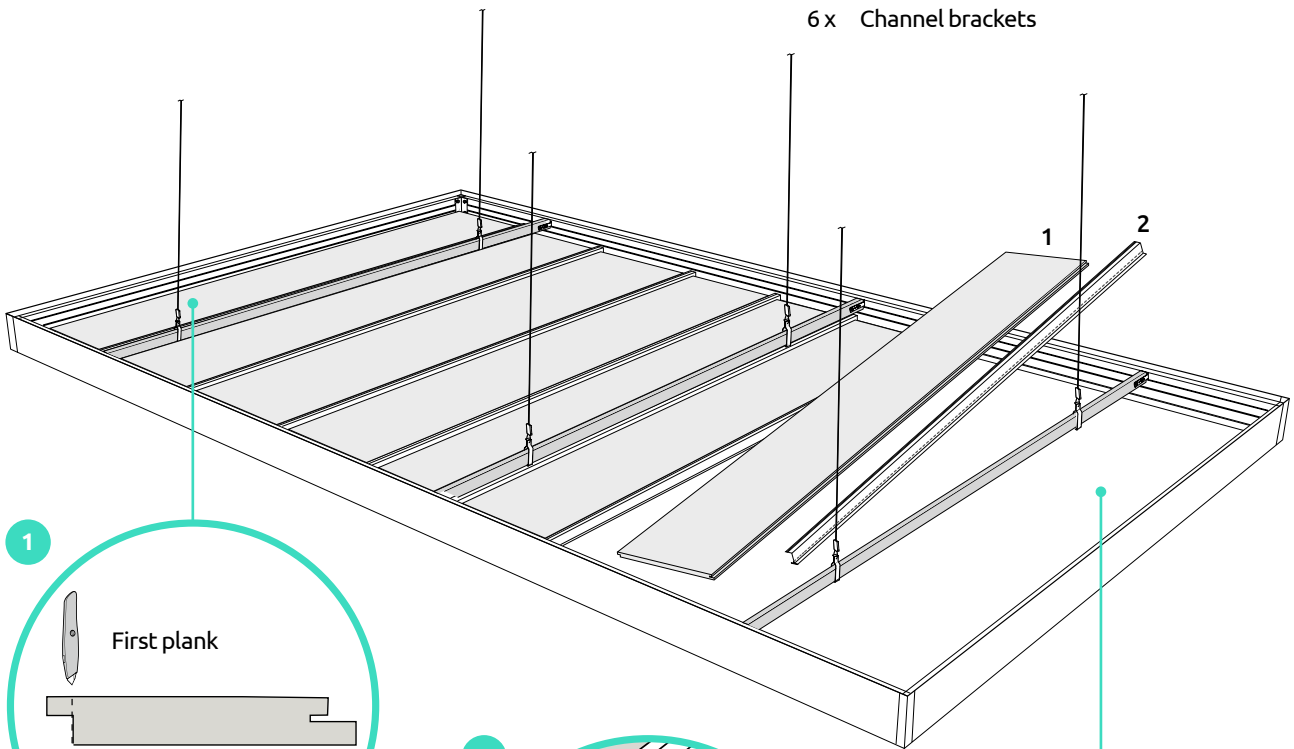
# 04 The Planks & Z-Profiles

in the air

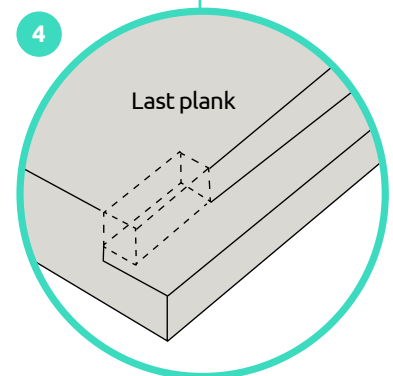
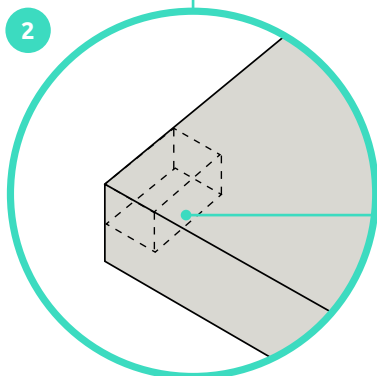
The 1.8 x 3.0m module is used as an example only



- 9x Deep Z – 30.5 mm
- 6x Clamps for C Channel
- Set of screws
- 6x Channel brackets



Cut off for  
Corner Post screws



Last plank

## 05 Physical Data

### Material

- Extruded aluminium profiles
- DecoFrame Kit Classic Canopy is made from extruded aluminium, offers better registration, handling capability and finished appearance compared with standard cold-rolled steel

### Surface finish

- Polyester powder coated
- Global white

### Warranty

- For more information, please see our website

6 pre-packed, ready-to-assemble DecoFrame Kit Classic Canopy SL2 planks kit will be available.

Module	Item No.
1800 x 1500mm	AX 22 36G SL2 A
2400 x 1500mm	AX 22 46G SL2 A
3000 x 1500mm	AX 22 56G SL2 A
1800 x 1800mm	AX 22 33G SL2 A
2400 x 1800mm	AX 22 43G SL2 A
3000 x 1800mm	AX 22 53G SL2 A

### Ceiling tiles SL2 are NOT included in the kit.

- Max. tile load: 10 kg/m<sup>2</sup>

For further information on customised size models please contact Zentia Technical Sales.

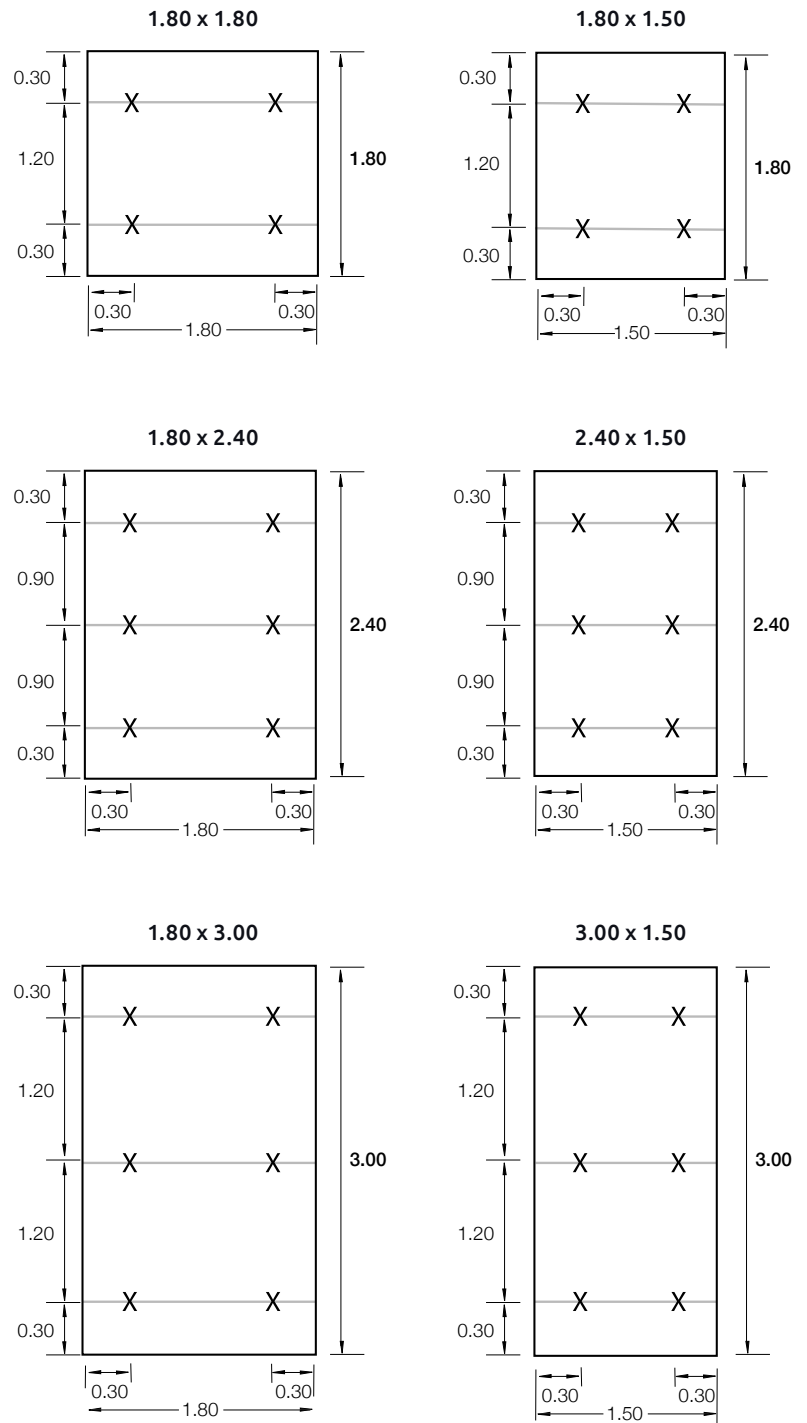
### Advisory note:

All statements and technical information contained in this brochure, or any publication of the companies named in this brochure, relating to Zentia are based on results obtained under laboratory test conditions.

It is the responsibility of the user to verify with the seller of the products in writing that such statements and information are appropriate to the specific use intended.

Sales of the products and liability of the selling companies are in accordance with the terms and conditions of sale of the selling company.

All product specifications are subject to modifications without prior notice.



INS 215.1.8.24