

DecoFrame Kit Circle & Curved Canopies

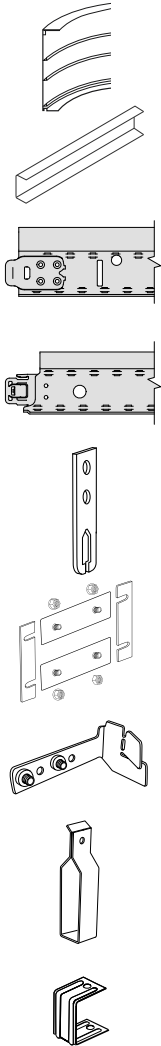
for Tegular24 8mm & Tegular15 8mm reveal edge tiles

Installation Guide



01 Preparation

DecoFrame Kit Circle & Curved Canopies components*



Item No.	Description
54 42 06 H	Gridline DecoFrame Kit Circle & Curved Profile
C 3000 H	Primary C-Channel
BPGMR153600	Gridline 15 Peak Form Main Runner
BPGMR243600	Gridline 24 Peak Form Main Runner
BPGXTJ15600	Gridline 15 Joggled Cross Tee 600mm
BPGXTJ24600	Gridline 24 Joggled Cross Tee 600mm
AWDN 21 H	T-bar hanger
A 361 H	Splice connector
A 339 K	T-bar connector clip (threaded) + M4 bolts (cross head)
A 348 H	Channel bracket (Aircraft cable included in the kit)
CA 97 H	Clamp for C-Channel

DecoFrame Kit Circle & Curved Canopy is a modular suspension system supplied kit with ready-to-assemble components (partly listed above). *For further detailed information regarding any of these items please refer to the parts lists included in the carton. All the profiles on the kits are cut and pre-drilled following the dimensions of the Canopy.

Initial Recommendations

- // DecoFrame Kit Circle & Curved Canopies should always be installed in accordance with all applicable building codes and regulations.
- // DecoFrame Kit Circle & Curved Canopies, as any other architectural feature located in the ceiling plane, may obstruct or skew the existing or planned fire sprinkler distribution pattern or even delay the activation of the fire detection system. Designers and installers are advised to consult a fire protection engineer for guidance on the proper installation techniques where fire detection or suppression systems are present.
- // Any additional load (such as lighting) MUST NOT be suspended from the canopy but independently from the soffit.
- // DecoFrame Kit Circle & Curved Canopies should be always installed on a horizontal plane.
- // DecoFrame Kit Circle & Curved Canopies are only suitable for indoor applications.
- // DecoFrame Kit Circle & Curved Canopies can reach a significant weight. In order to minimise the risk of injuries, the canopies should be installed by a minimum of 2 people.
- // Suspension elements such as threaded rods, anchors or any other element not included in the kit must be chosen to ensure a safe installation and follow local regulations.
- // It is recommended to assemble the canopy under the final ceiling location to avoid later movement.
- // It is recommended wearing appropriate PPE when installing, for example: gloves, safety glasses, safety masks, safety boots and long sleeves.

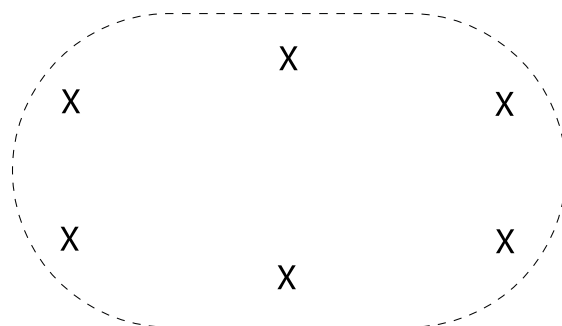
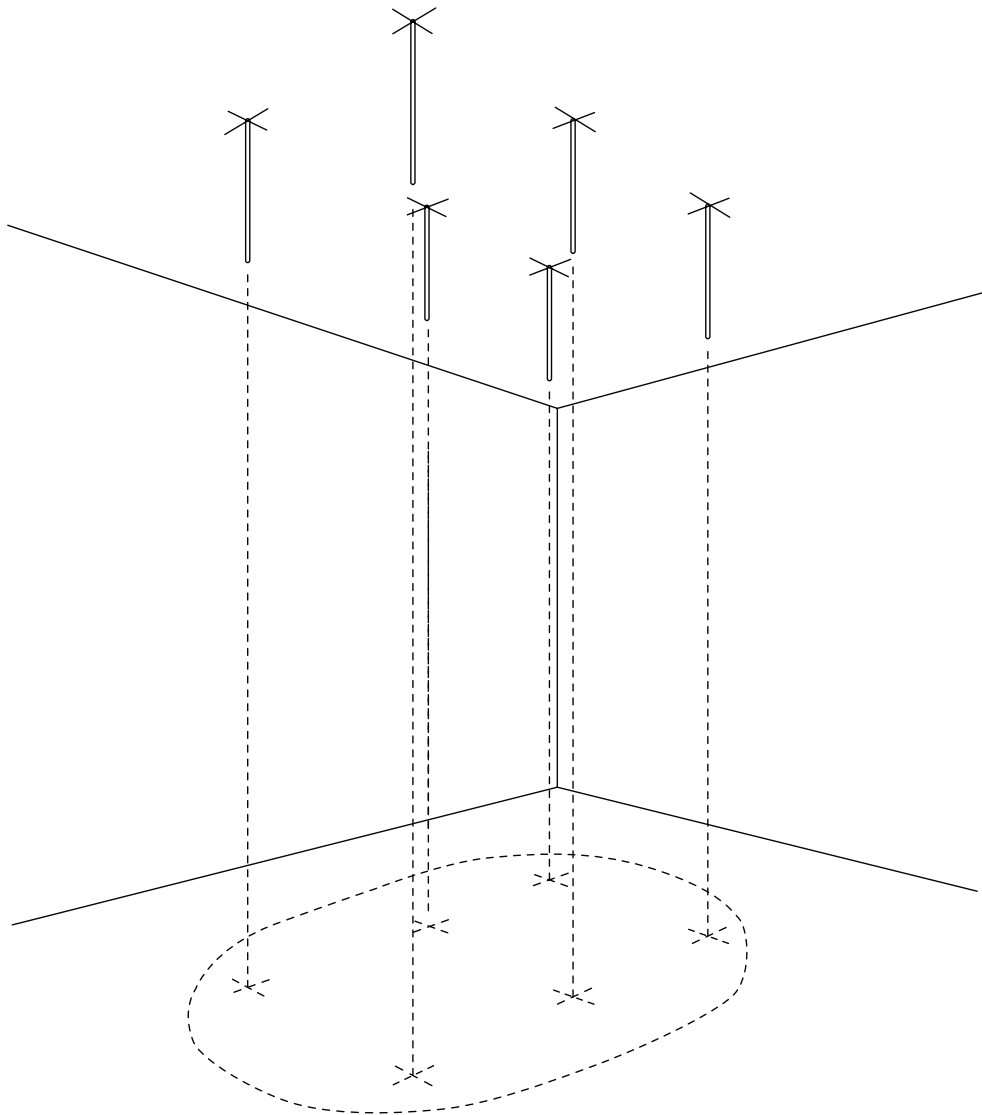
Gloves supplied in the kit are used to prevent marking the components during installation. They are **NOT** meant to be used as safety gloves.

01 Preparation

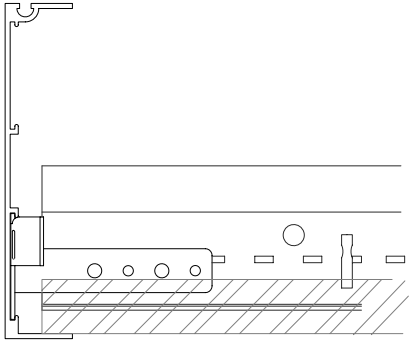
Suspension Points

Suspension points should be determined before installing the canopy.

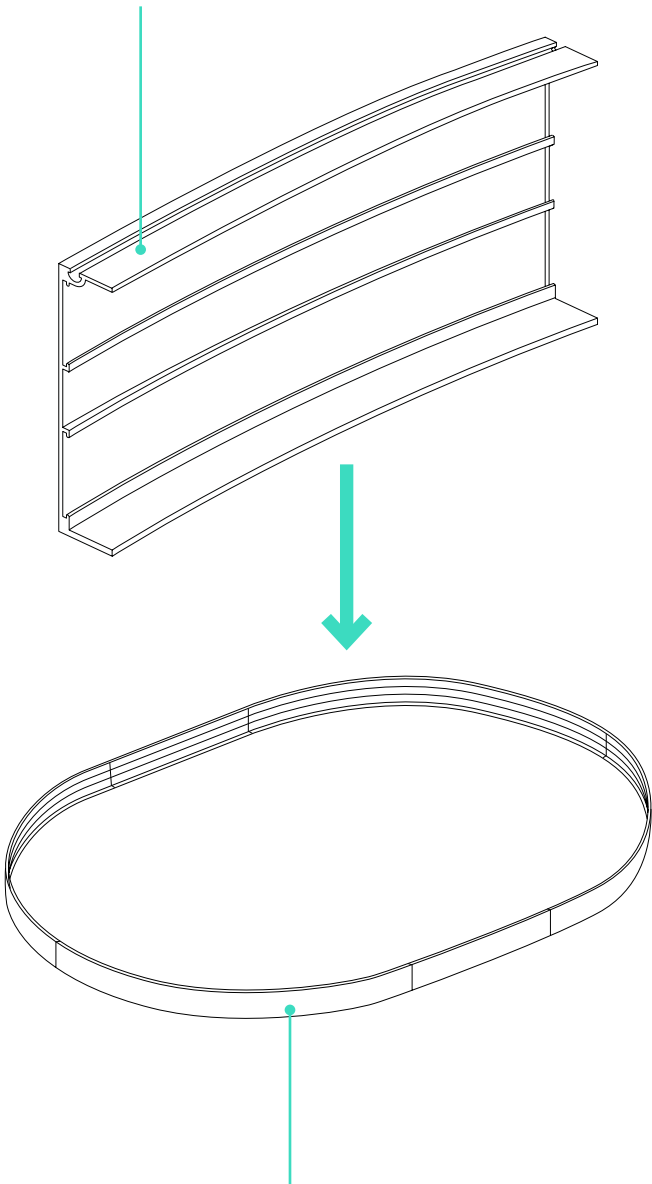
See the recommended suspension point matrix on the last page of this guide.



02 The Chassis on the floor

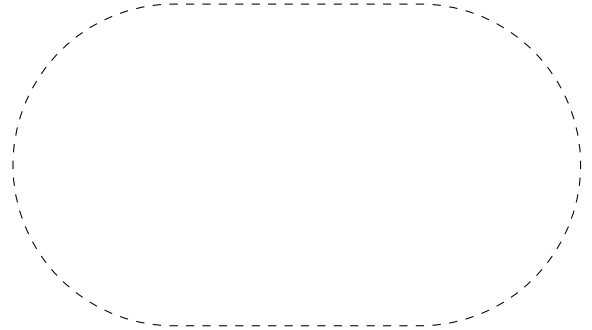


Choose the position of the perimeter section
(Groove facing up or downwards)



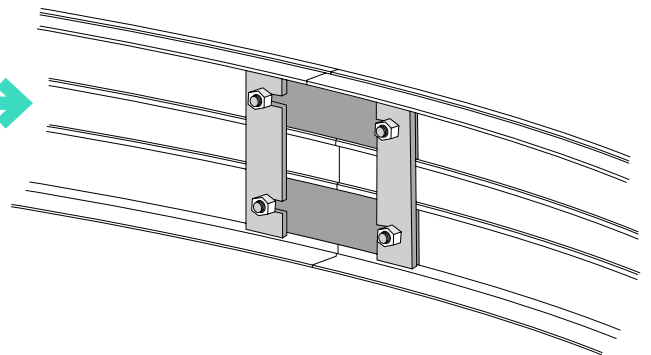
Match the codes (1-1, 2-2,
etc) of the perimeter ends

The 1.8 x 2.4m module is used as an example only



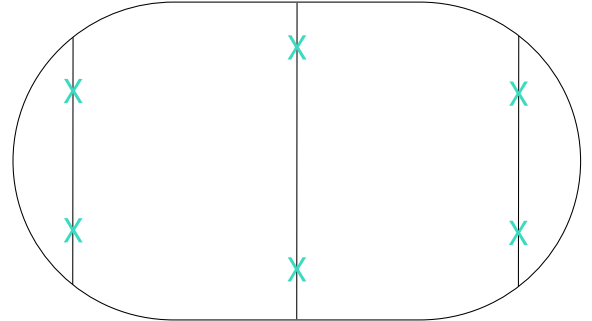
Items needed:

- 2 x Gridline Aluminium straight profiles
- 4 x Gridline Aluminium curved profiles
- 6 x Splice connectors



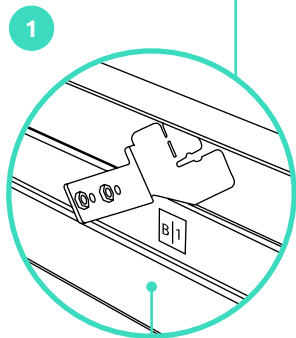
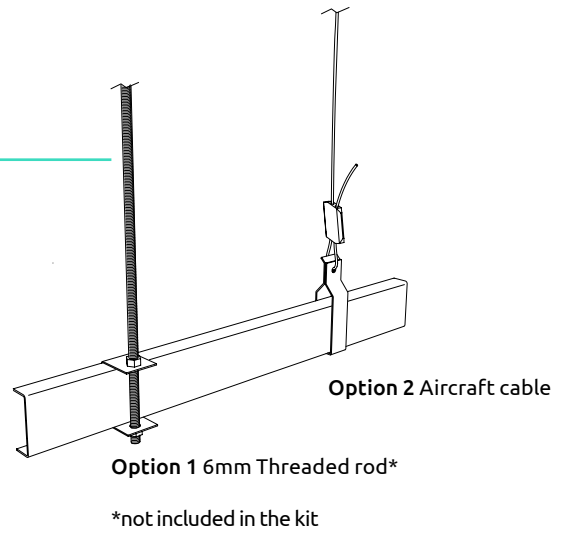
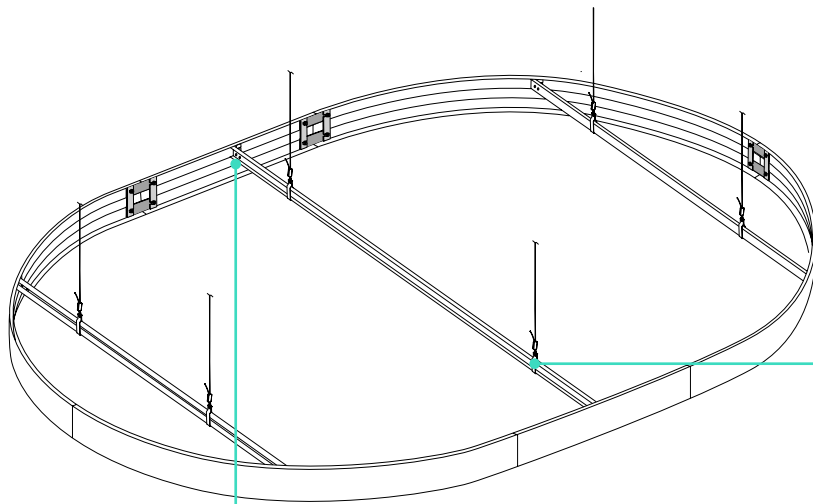
03 The Primary Grid on the floor

The 1.8 x 2.4m module is used as an example only

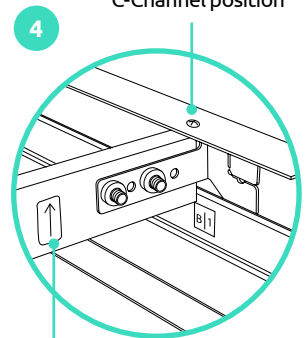
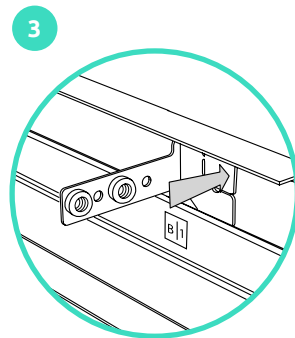
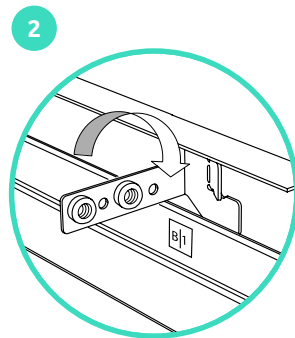


Items needed:

- 3 x C-Channels
- 6 x T-bar connectors
- 6 x Hangers



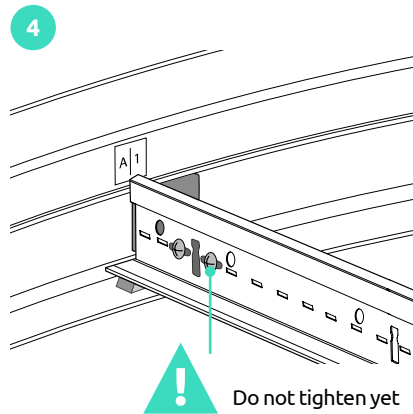
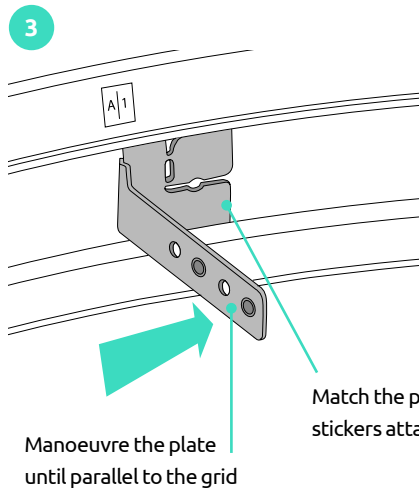
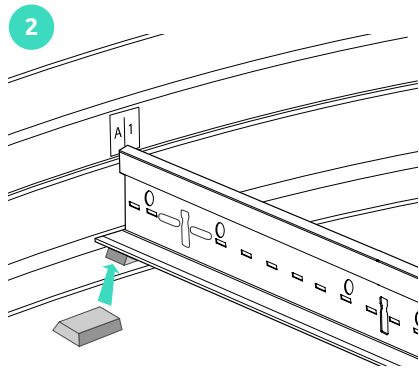
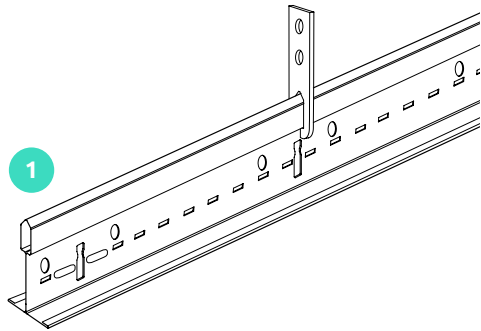
1 Match the positioning stickers attached to the Chassis



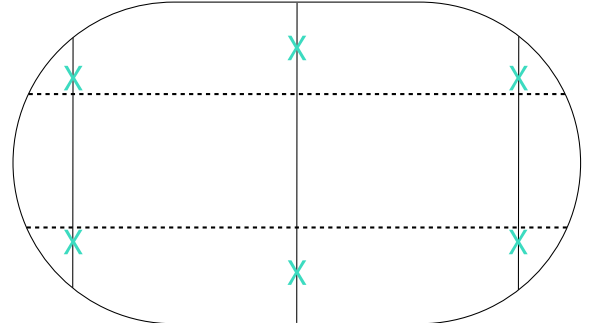
4 Check positioning arrow on the C-Channel

IMPORTANT NOTE: When there is not enough room for the screwdriver please install the T-bar connectors upside down.

04 The Grid – Main Runner in the air

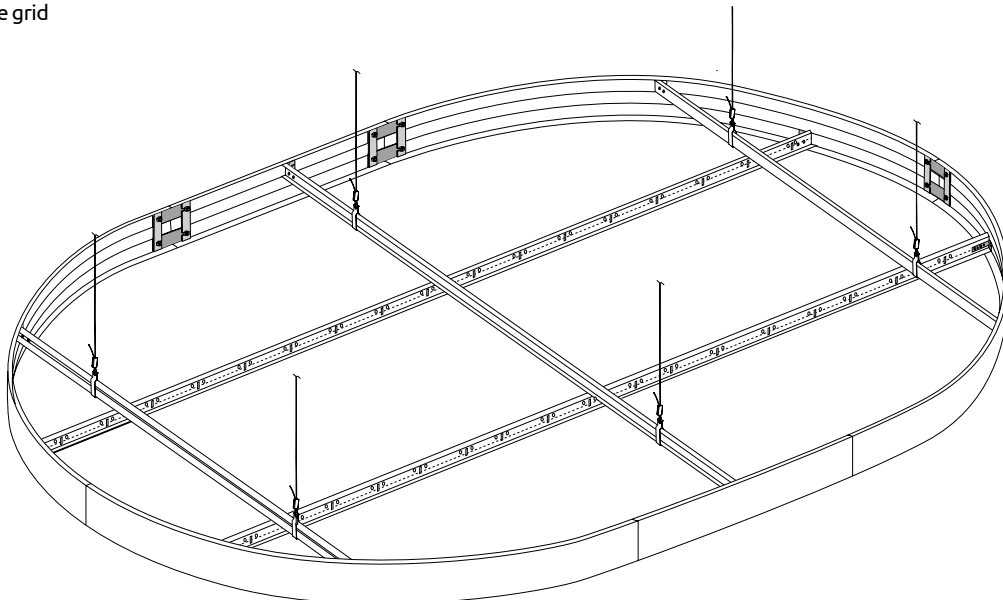


The 1.8 x 2.4m module is used as an example only



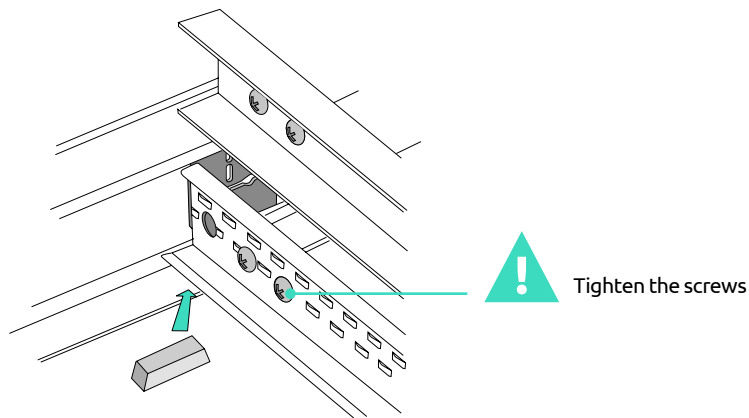
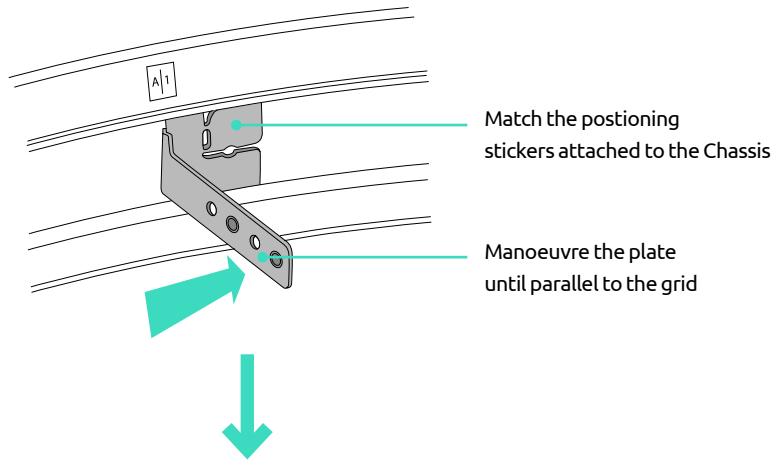
Items needed:

- 2 x Main Runners
- 4 x T-bar connectors
- 4 x Perimeter fill in

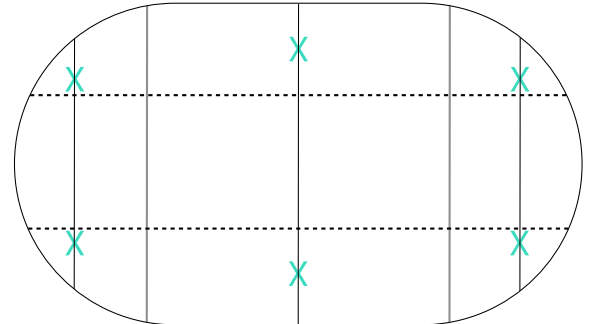


05 The Grid – Cross Tees

in the air



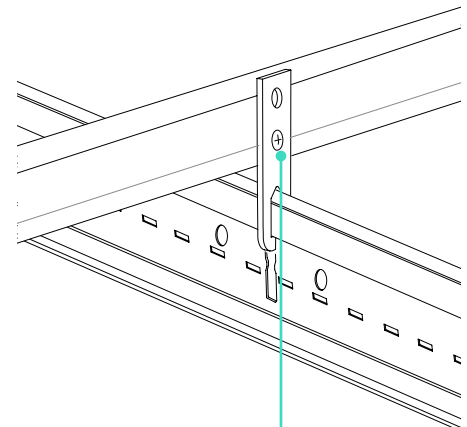
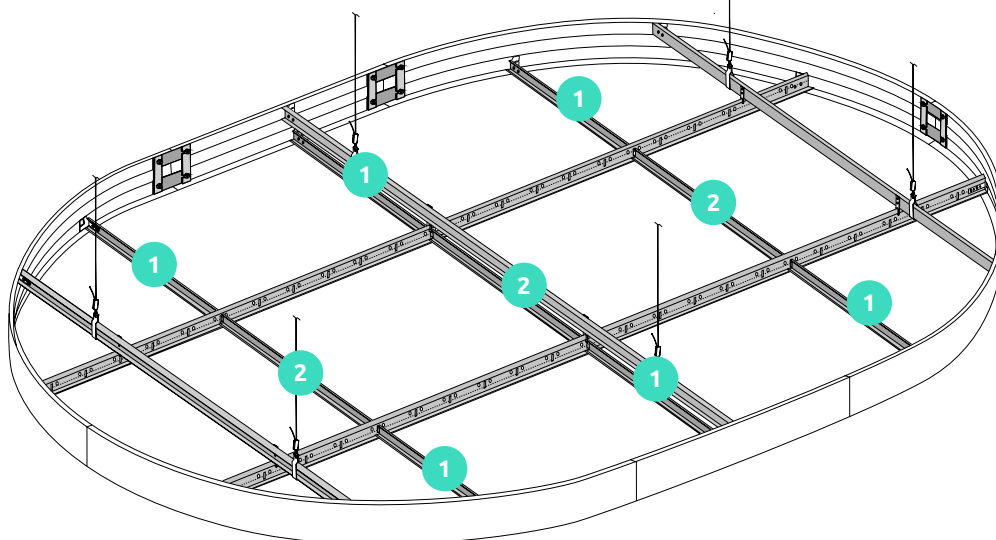
The 1.8 x 2.4m module is used as an example only



Items needed:

- 3 x Standard Cross Tees
- 6 x Special Cross Tees
- 6 x T-bar connectors
- 6 x Perimeter fill in

- 1 Special Cross Tees
- 2 Standard Cross Tees



Use self-tapping screws at the marked height line, once the Main Runner and Cross Tees have been centred.

Use a measuring tape to check the centering of the Main Runners and Cross Tees and readjust if needed.

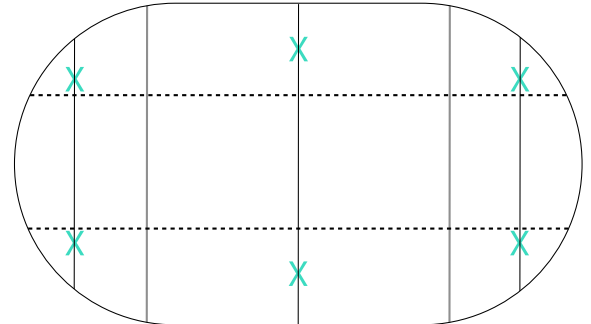
06 The Tiles

For Tegular24 8mm & Tegular15 8mm edge reveal tiles

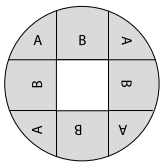
All perimeter tiles are cut on site (Board edge; see drawing page 3) and resting with the face on the Axiom Profile.

1. Cut down the perimeter tiles using the templates provided (see layout below) and install them accordingly.
2. Install the full size / centre tiles/s.

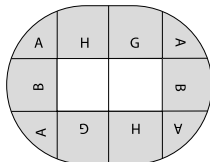
The 1.8 x 2.4m module is used as an example only



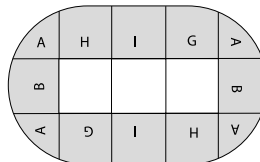
Tile Layout



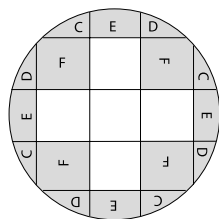
1.8m Canopy
CS ACI 33 G15 A
CS ACI 33 G24 A



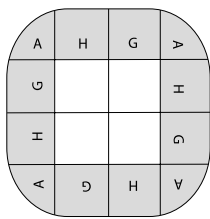
1.8m x 2.4m Canopy
CS ACU 43 G15 A
CS ACU 43 G24 A



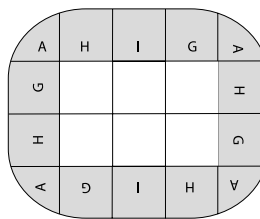
1.8m x 3m Canopy
CS ACU 53 G15 A
CS ACU 53 G24 A



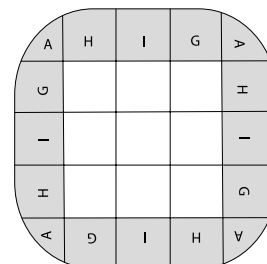
2.4m Canopy
CS ACI 44 G15 A
CS ACI 44 G24 A



2.4m x 2.4m Canopy
CS ACU 44 G15 A
CS ACU 44 G24 A



2.4m x 3m Canopy
CS ACU 54 G15 A
CS ACU 54 G24 A

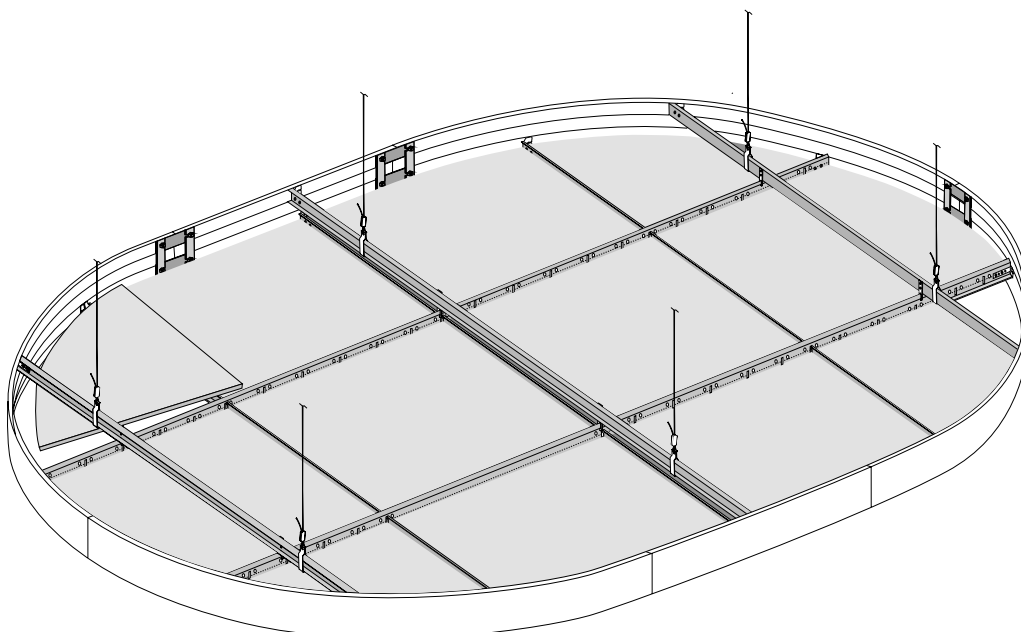


3m x 3m Canopy
CS ACU 55 G15 A
CS ACU 55 G24 A

Items needed:

12 x Standard tiles (NOT INCLUDED)

1 x Set of templates



07 Physical Data

Material

- // Frame: Extruded aluminium profiles
- // Grid & Accessories: Hot dipped galvanised steel

Surface finish

- // Frame: Polyester powder coated
- // Grid capping: Baked polyester paint
- // Colour: Global white

Warranty

- // For more information, please see our website

14 pre-packed, ready-to-assemble DecoFrame Kit Circle & Curved canopy kits, in 7 standard modules, will be available either in 15mm or 24mm grid.

Module	Grid system 15mm Joggled Item No.	Grid system 24mm Joggled Item No.
Circle 1800	CS ACI 33 G15 A	CS ACI 33 G24 A
Circle 2400	CS ACI 44 G15 A	CS ACI 44 G24 A
Curved 2.4 x 1.8m	CS ACU 43 G15 A	CS ACU 43 G24 A
Curved 2.4 x 2.4m	CS ACU 44 G15 A	CS ACU 44 G24 A
Curved 3 x 1.8m	CS ACU 53 G15 A	CS ACU 53 G24 A
Curved 3 x 2.4m	CS ACU 54 G15 A	CS ACU 54 G24 A
Curved 3 x 3m	CS ACU 55 G15 A	CS ACU 55 G24 A

DecoFrame Kit Circle & Curved canopy kits are only available in specific markets, please contact Zentia Technical Sales. Ceiling tiles **ARE NOT** included in the kit.

Ceiling tiles are NOT included in the kit.

- // Max. tile load: 10 kg/m²

For further information on customised size models please contact Zentia Technical Sales.

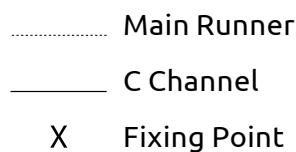
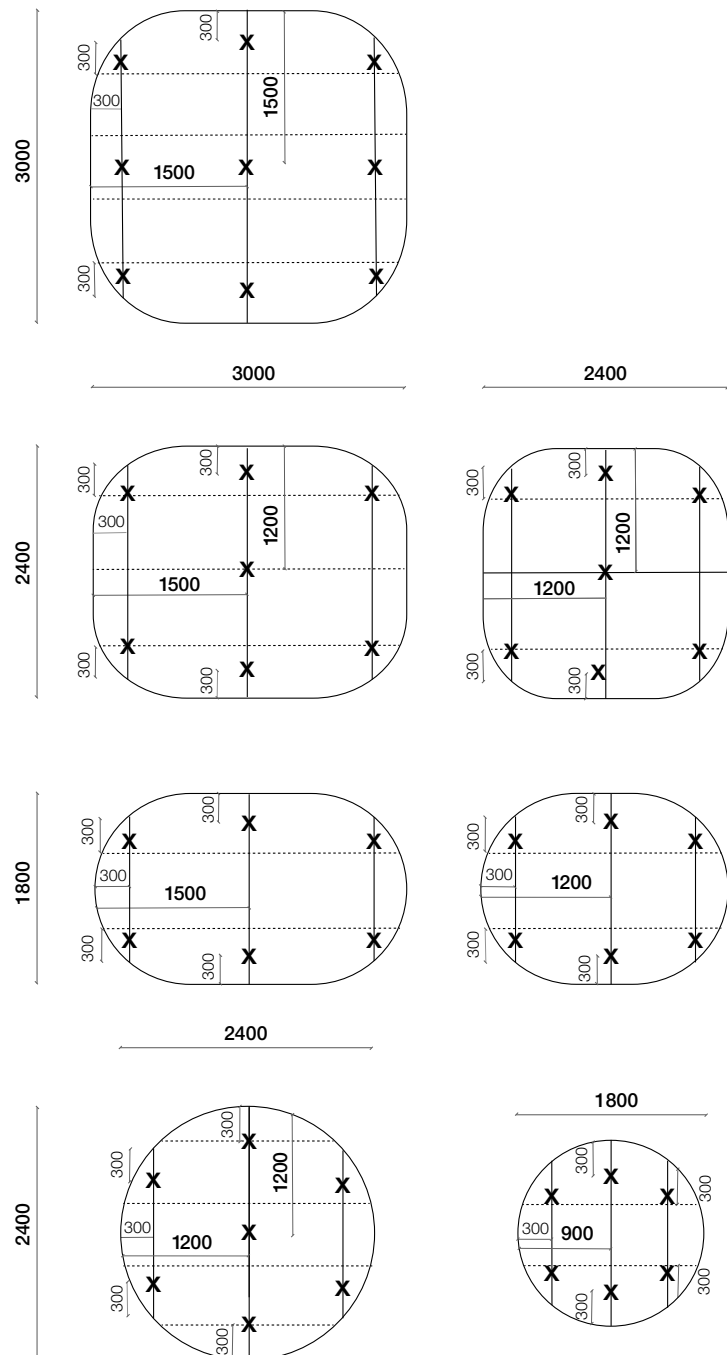
Advisory note:

All statements and technical information contained in this brochure, or any publication of the companies named in this brochure, relating to Zentia are based on results obtained under laboratory test conditions.

It is the responsibility of the user to verify with the seller of the products in writing that such statements and information are appropriate to the specific use intended.

Sales of the products and liability of the selling companies are in accordance with the terms and conditions of sale of the selling company.

All product specifications are subject to modifications without prior notice.



INS 216.1.08.24