

# Installation Guide

## Wall Absorber

# Glued Wall Absorber Installation

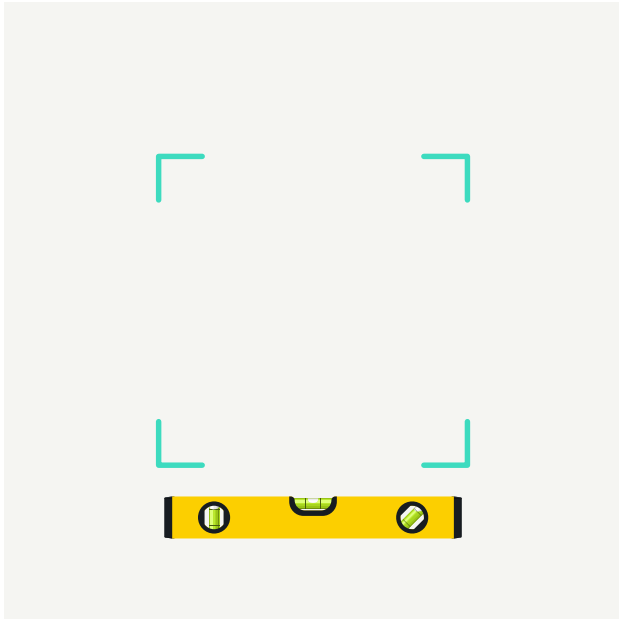
Zentia recommendation for the grab adhesive is **CT-1 Power Grab and Bond (PGB)**, by others.

If using a different adhesive, follow the manufacturers recommendations.



# Glued Wall Absorber Installation

1



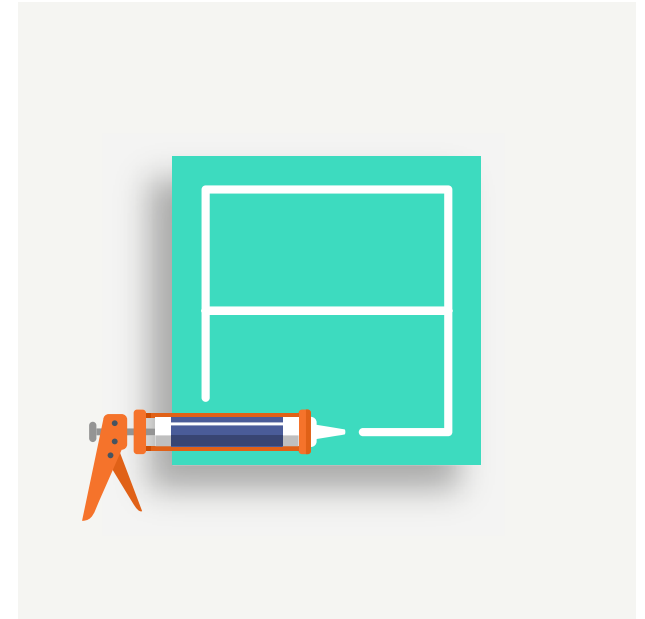
Mark out on the wall your desired positioned for the panel.

2



Ensure all surfaces are clean, dry and free from dust.

3



Apply the adhesive in several lines across the back of the panel, **do not** apply too close to the edge of the panel. A minimum of 450mm length of bead is required per kg weight of panel.

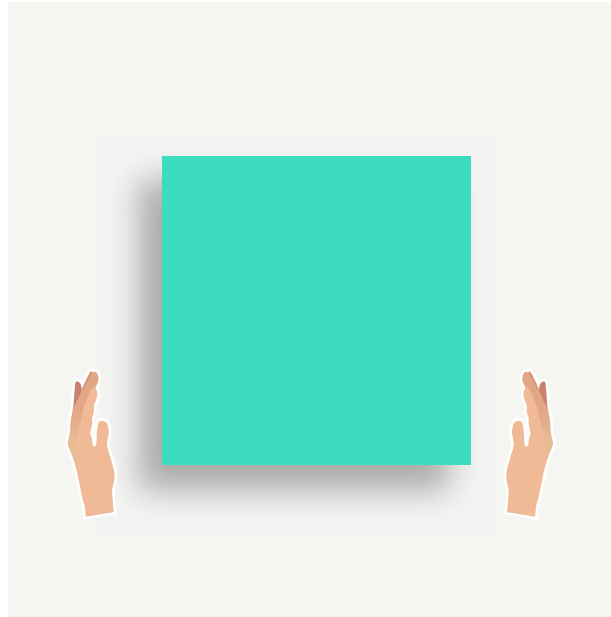
# Glued Wall Absorber Installation

4



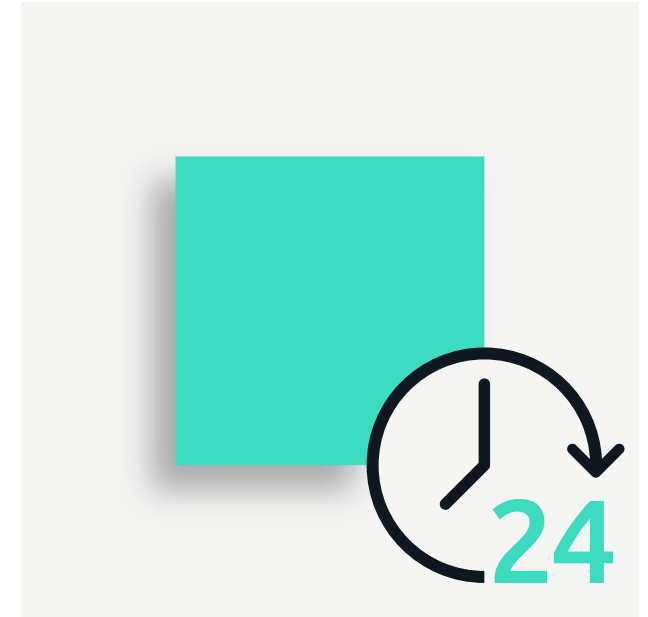
Lift panel into position and gently press to the wall. Once happy with the final position, firmly press the panel against the wall.

5



The panel should instantly grab to the wall and no additional support will be required.

6



The adhesive will continue to cure over the next 24hrs and form an incredibly strong bond.

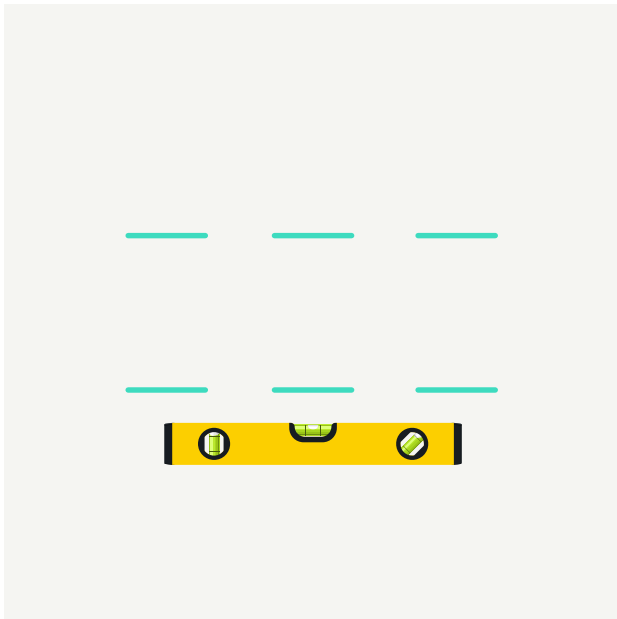
# Gridded Wall Absorber Installation

**Disclaimer:** Recommended 2 person install for large installations.



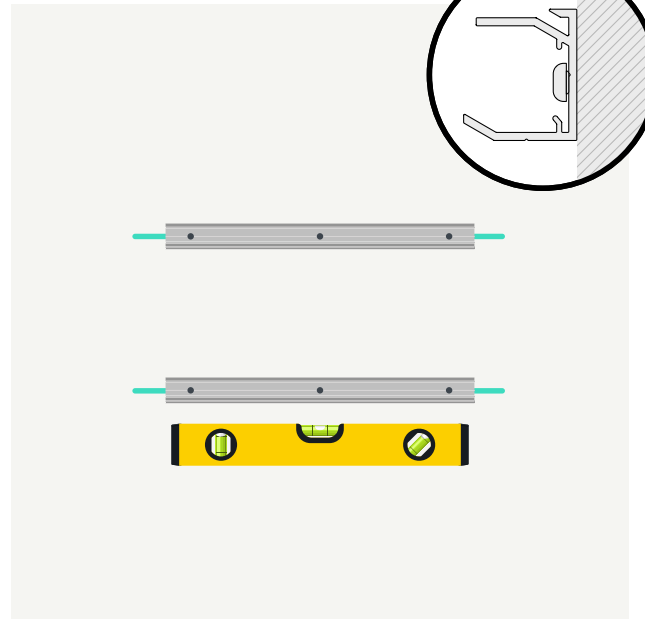
# Gridded Wall Absorber Installation

1



Mark out on the wall your desired position for the cleats – ensure positions are correctly spaced apart.

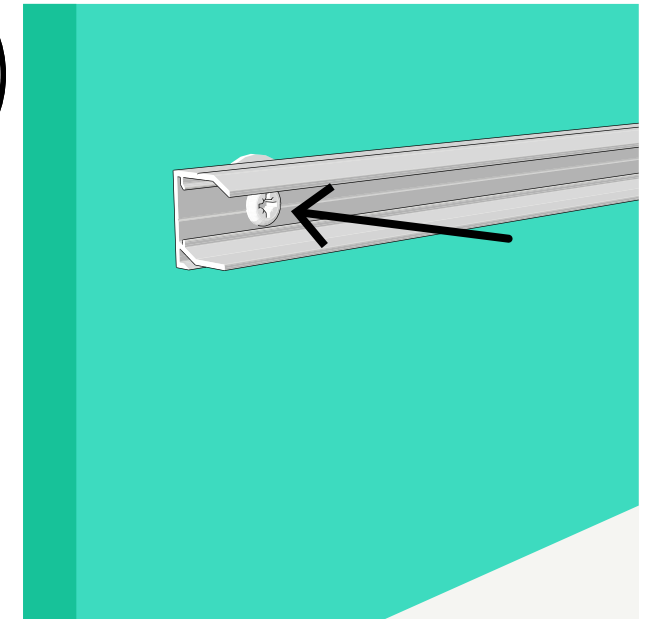
2



Drill pilot holes into cleat along the centre line, 50mm from each end and max 600mm spacing in between each pilot hole along the length of the profile.

Align the cleat's centre-line with the position markers and fix cleat to wall through the centre-line with screws.

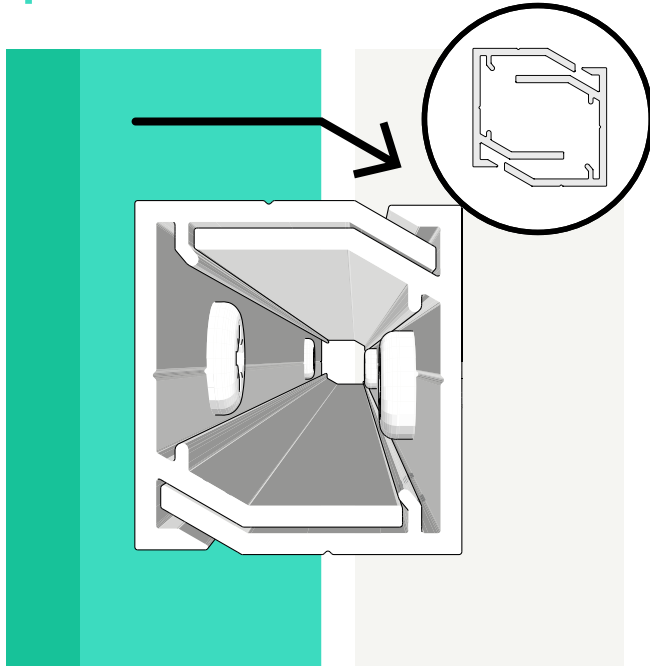
3



Fix pre-cut cleats to the back of the wall absorber panel using M6 screws.

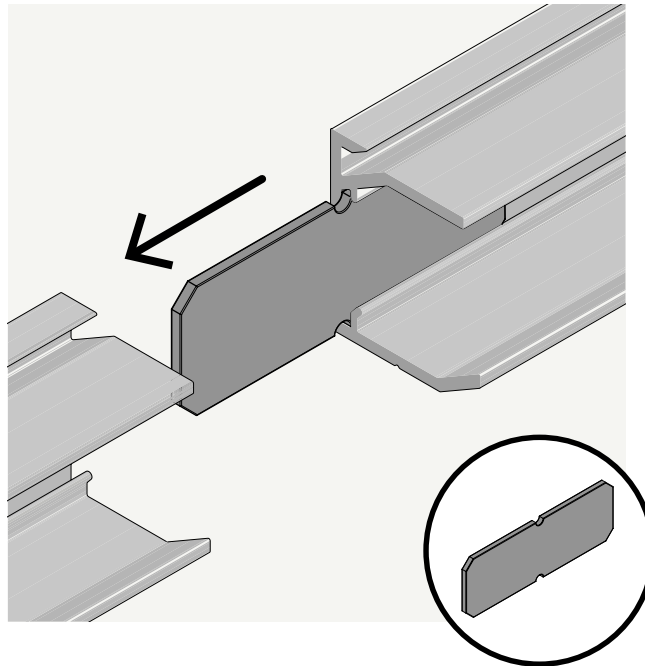
# Gridded Wall Absorber Installation

4



Lift panel into position and gently slide into wall cleat. The panel should locate itself into position and hold itself in place with no additional support. For permanent fixing, use self-drilling screws to lock cleats together by fixing through the top and/or bottom of the profiles.

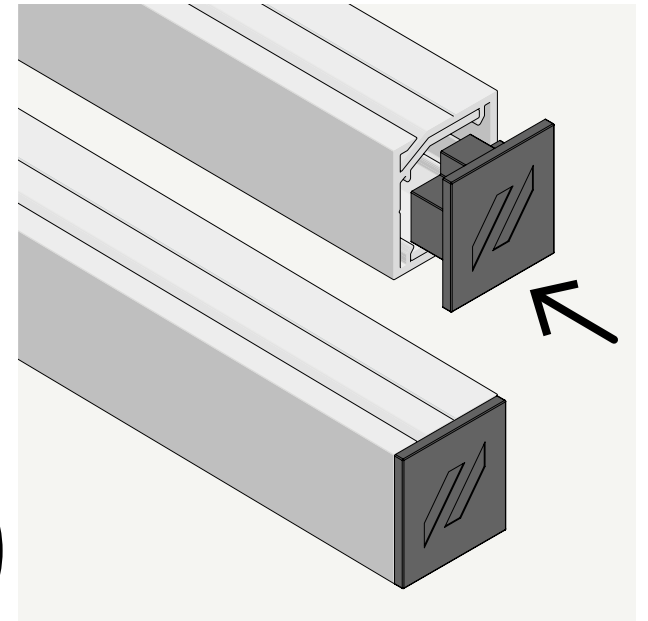
5



Use pre-cut spacer bars to set correct spacing between panels. Use splice plates to align and connect additional lengths of profile if needed.

Repeat steps 3 - 5 until all wall panels are in place.

6



Insert endcaps to each end of the wall absorber system to complete installation.

## Example layout

