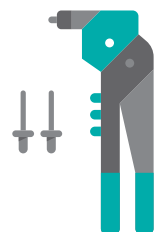
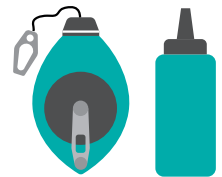
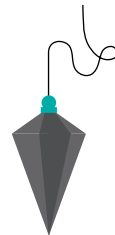
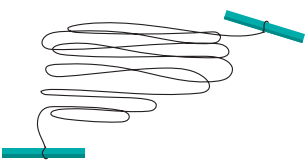
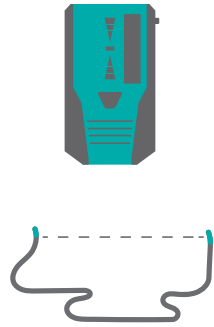
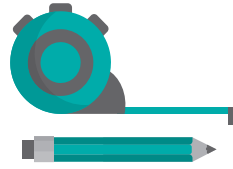


SL2 Planks

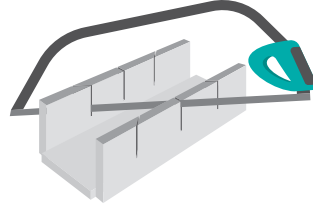
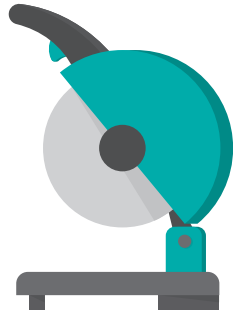
Installation Guide



01 General Tools



02 Grid Tools



03 Tile Tools

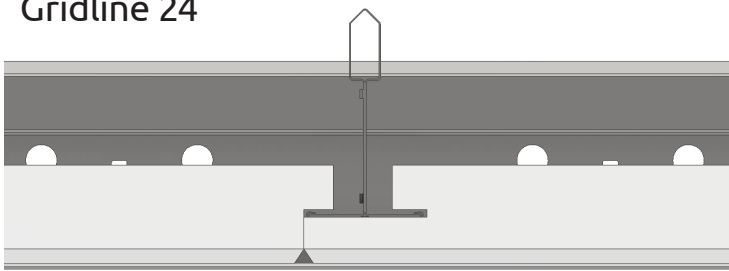


04 System Overview

Mineral fibre SL2 planks retain their accessibility due to the long (shiplap) edge, which is supported by a piece of 24mm main runner within the thickness of the tile.

Mineral fibre planks are 300mm wide by 1500mm, 1800mm or 2400mm long and utilise a concealed bevel edge shiplap detail on the two long edges while the short edges have a square edge detail for support on a 24mm exposed grid (room installation) or onto a perimeter trim (corridor installation).

Gridline 24



NOTE:

In room installations, the 24mm exposed grid supporting the short edges is visible in one direction only.

05 Installation

Semi Concealed Grid System – Items Required

LENGTH OF PLANKS

≤2400mm

CORRIDOR

1. Perimeter Trim
 - Shadowline (preferred option)
 - Angle trim
2. Hangers where required by 06 Installation
3. SL2 Planks
4. Stiffening profile:
 - Gridline 24 Main Runner

ROOM

1. Perimeter Trim (angle trim or shadowline)
 2. Room division profile:
 - Gridline 24 Main Runner
 3. Hangers
 4. SL2 Planks
 5. Stiffening profile:
 - Gridline 24 Main Runner
 6. Spacer Bars (proprietary or site fabricated)
-

06 Installation

Semi Concealed Grid System

- 1 Use Gridline 24 Main Runner **BPGMR243600** cut to length.
- 2 When Gridline Peak form 24 Main Runner is used for planks of length greater than 1800mm a central hanger is required.

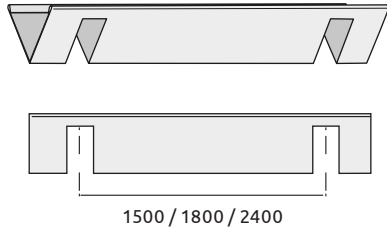
Plank Size	Gridline 24mm Main Runner
1500 x 300mm	•
1800 x 300mm	•
2400 x 300mm	•

IMPORTANT NOTE:

The above table is based upon no other services or fittings being supported by the ceiling tile and grid. If fittings are to be installed within an SL2 Plank please contact Zentia Technical Sales regarding the maximum loading.

07 Installation

Suspension Systems Concealed / Semi-concealed SL2 Planks



Spacer Bar

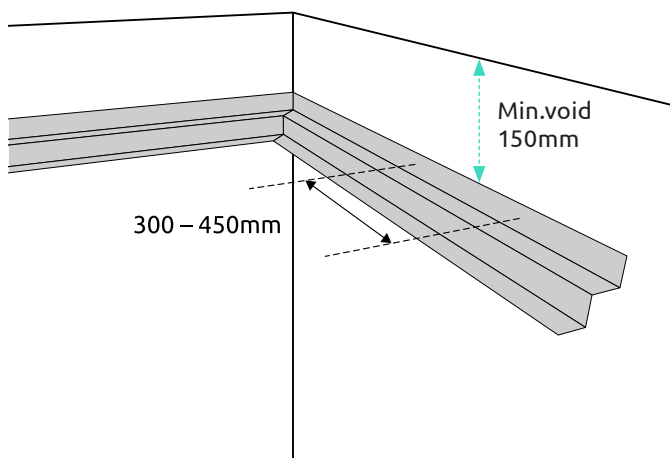
Spacer Bar	1500 mm
Spacer Bar	1800 mm
Spacer Bar	2400 mm

08 Installation

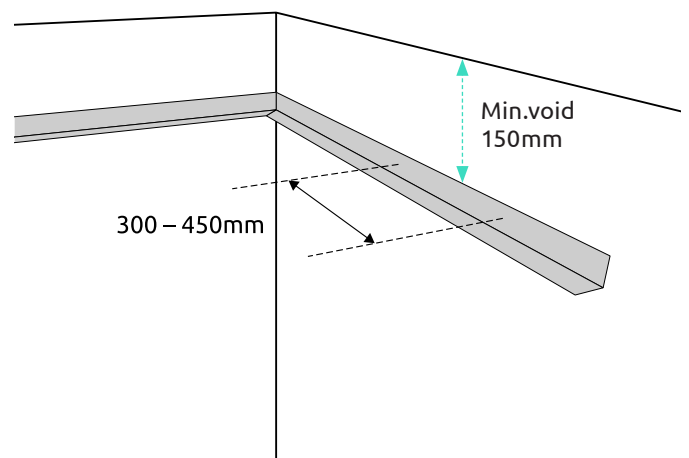
Grid Load Capacities

- ✔ No other applied loads such as luminaires, air diffusers, smoke detectors, sprinklers, hanging signs etc. are permitted
- ✔ No overlays such as mineral wool or fibre glass quilts, as may be required for enhanced acoustics, fire or thermal performance, are permitted unless their full weight is established and included, together with the weight of the tile, within the appropriate weight groups

09 Perimeter Trims



Shadowline perimeter trim fixings

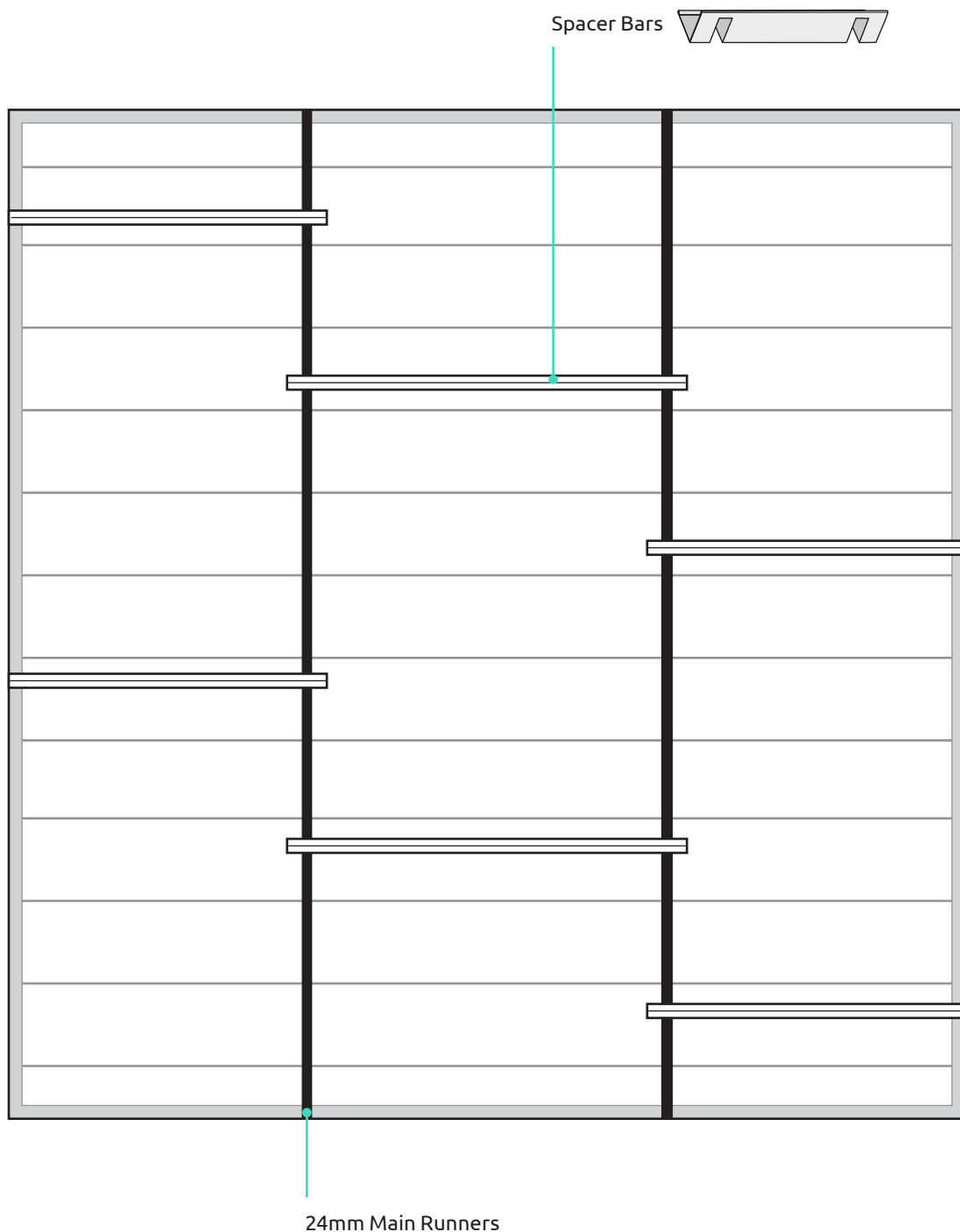


'L' perimeter trim fixings (1924 HE)

10 Room Installation

Mineral Fibre Planks – Room Installation

- Install 24mm main runners in one direction, spaced at the correct centres for the length of the SL2 planks
- SL2 planks are then installed with a piece of 24mm main runner cut to length (module less 6mm). Take care to ensure adjacent rows are correctly aligned with each corner
- Spacer bars (staggered) at 1500mm centres to the back of the main runners are required to maintain the correct spacing

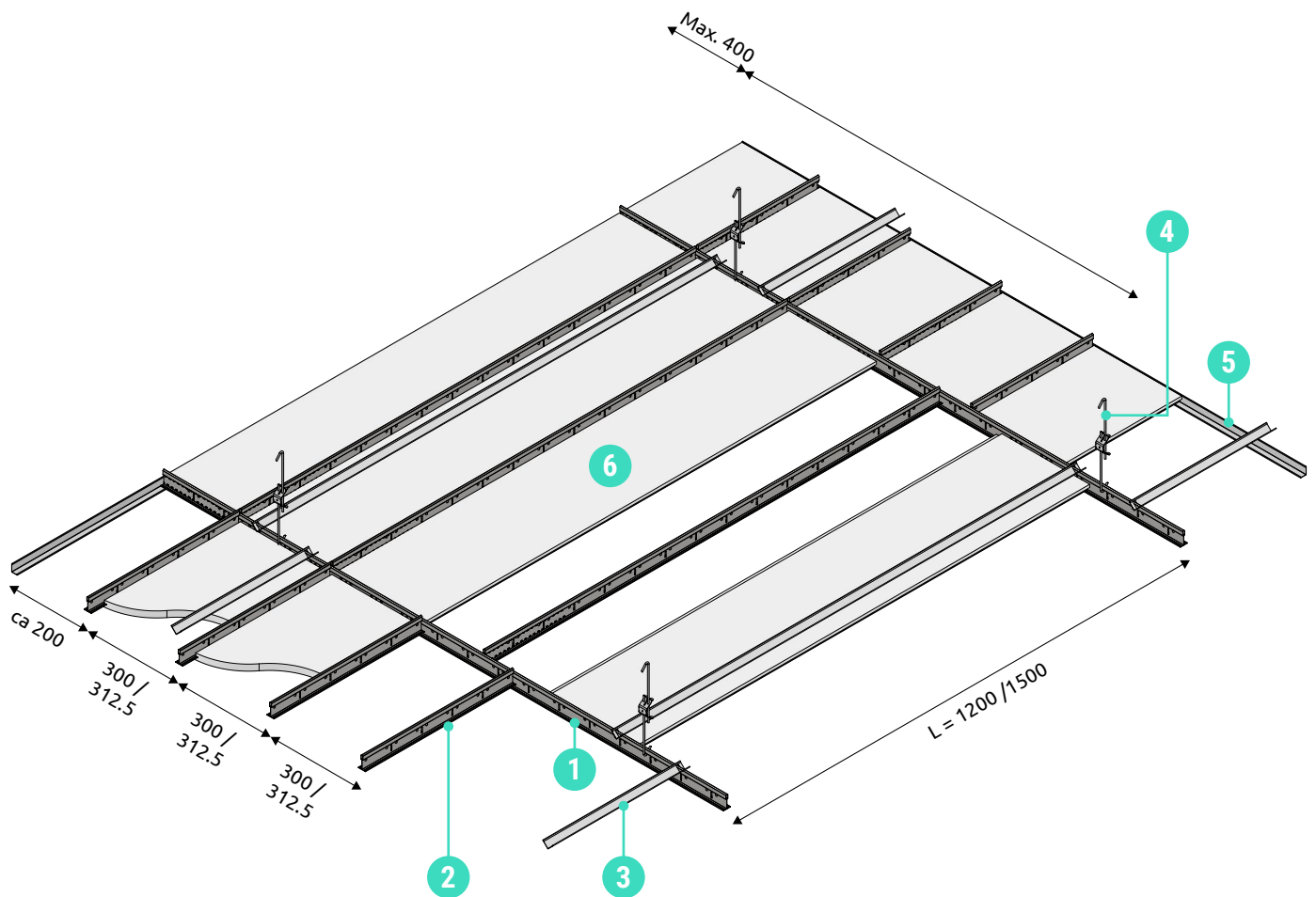


11 Room Installation

SL2 Planks Room Installation

Semi-concealed SL2

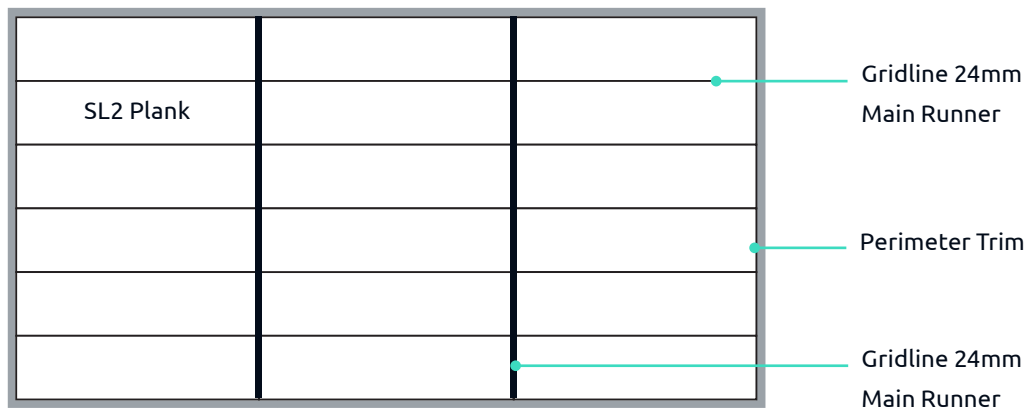
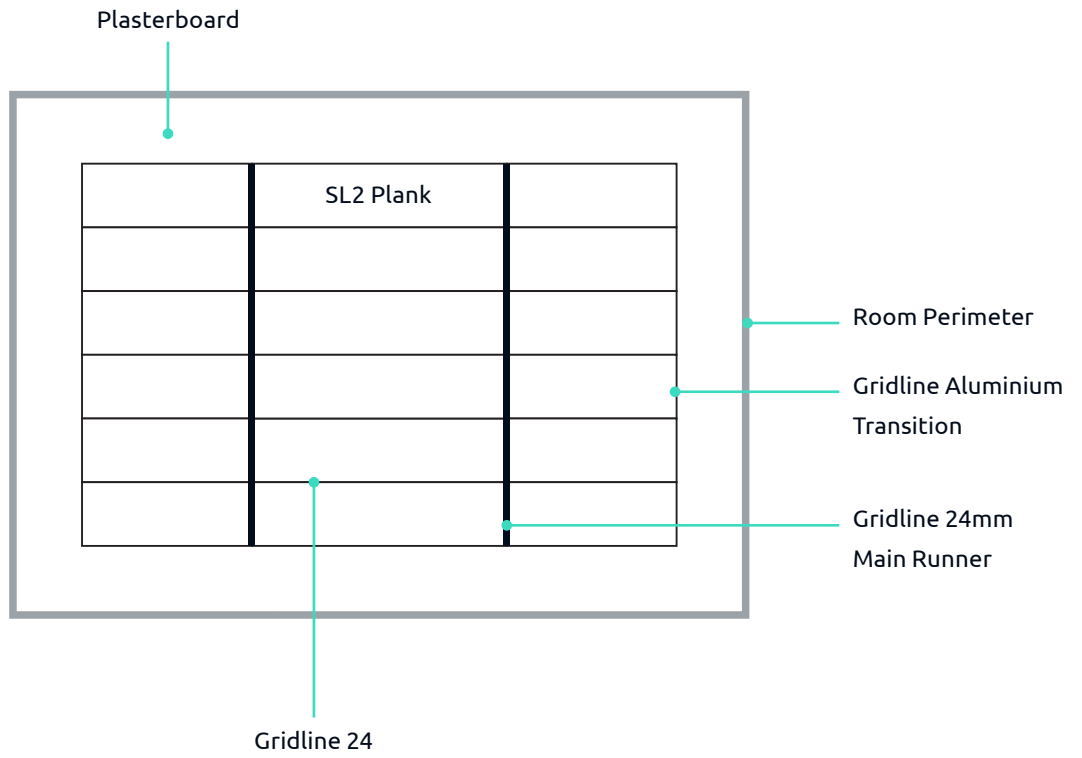
1. Main Runner
2. Gridline 24 Main Runner cut to length
3. Spacer Bar
4. Hanger
5. Perimeter Trim
6. Plank



All measurements in millimetres. All sizes are nominal. Availability of products may vary according to location. Please contact Zentia Technical Sales for further details.

12 Room Layouts

Room Layouts

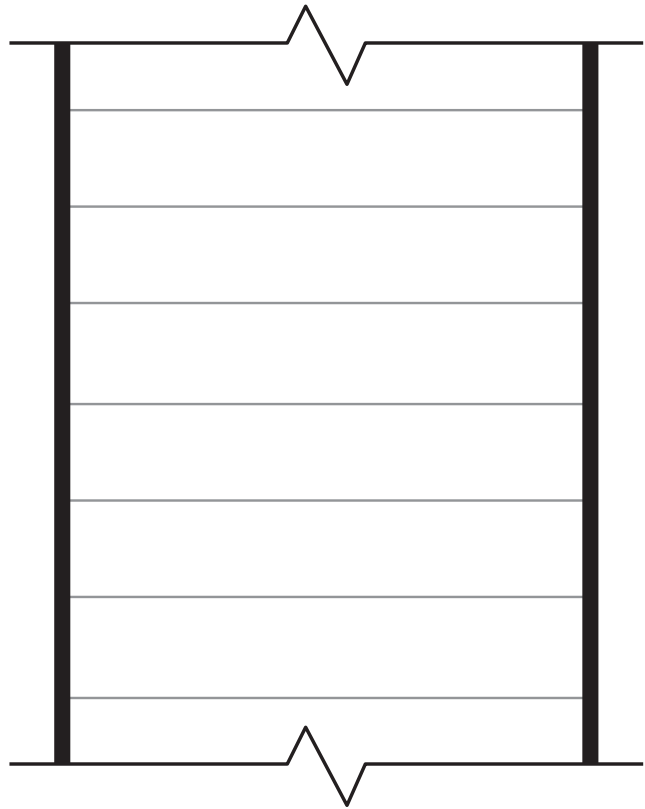


13 Corridor Installation

SL2 Planks Corridor Installation

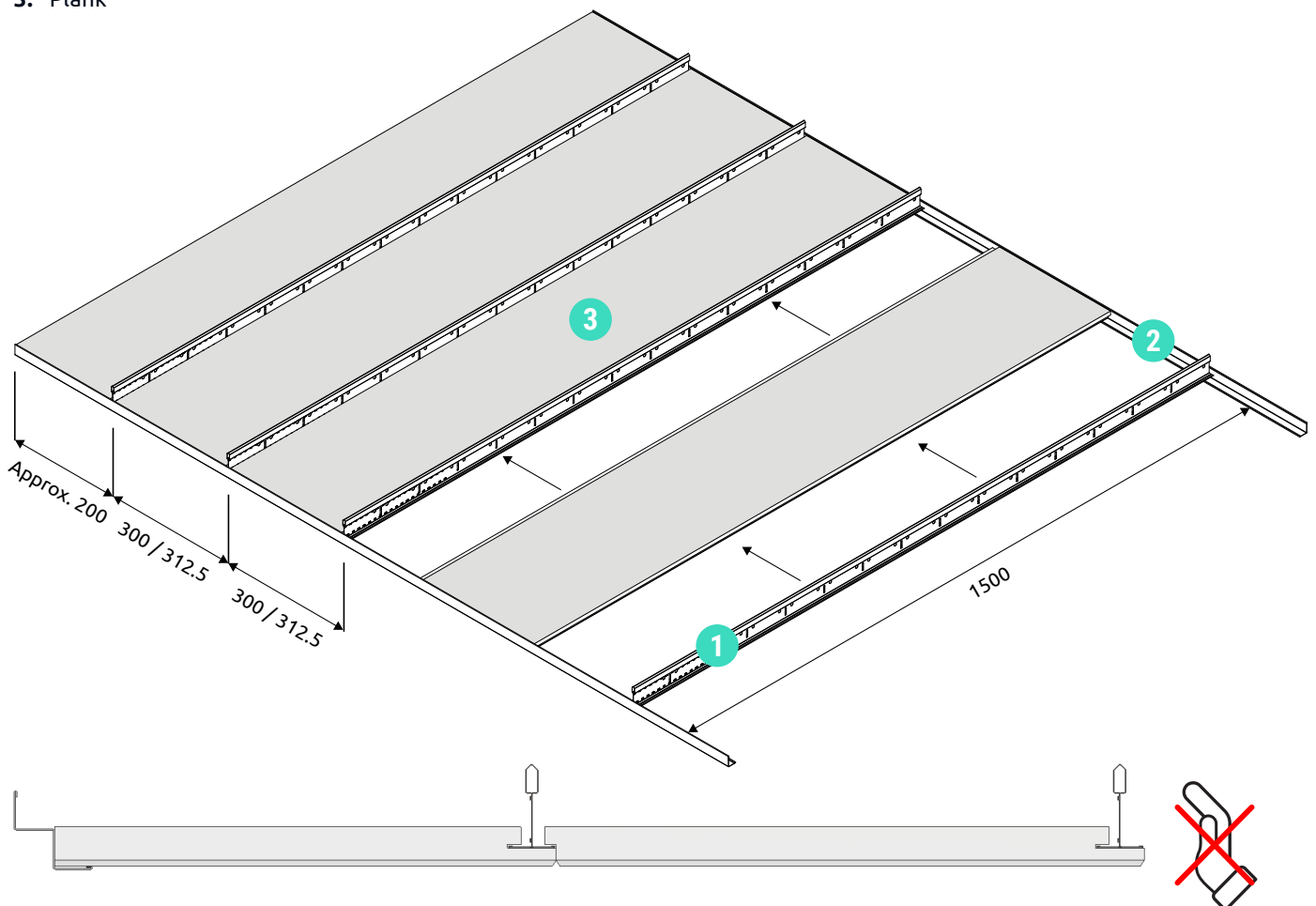
Install perimeter trims with fixings at 300mm centres. BPAWDN23 Double bent tee bar should be used to support the main runner every 900mm.

- ✓ Spacer bars are not required
- ✓ SL2 planks are then installed with a piece of 24mm main runner cut to length
- ✓ The main runners should ideally be aligned with or close to the perimeter trim fixings to the wall



Semi-concealed SL2 Corridor Installation

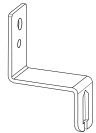
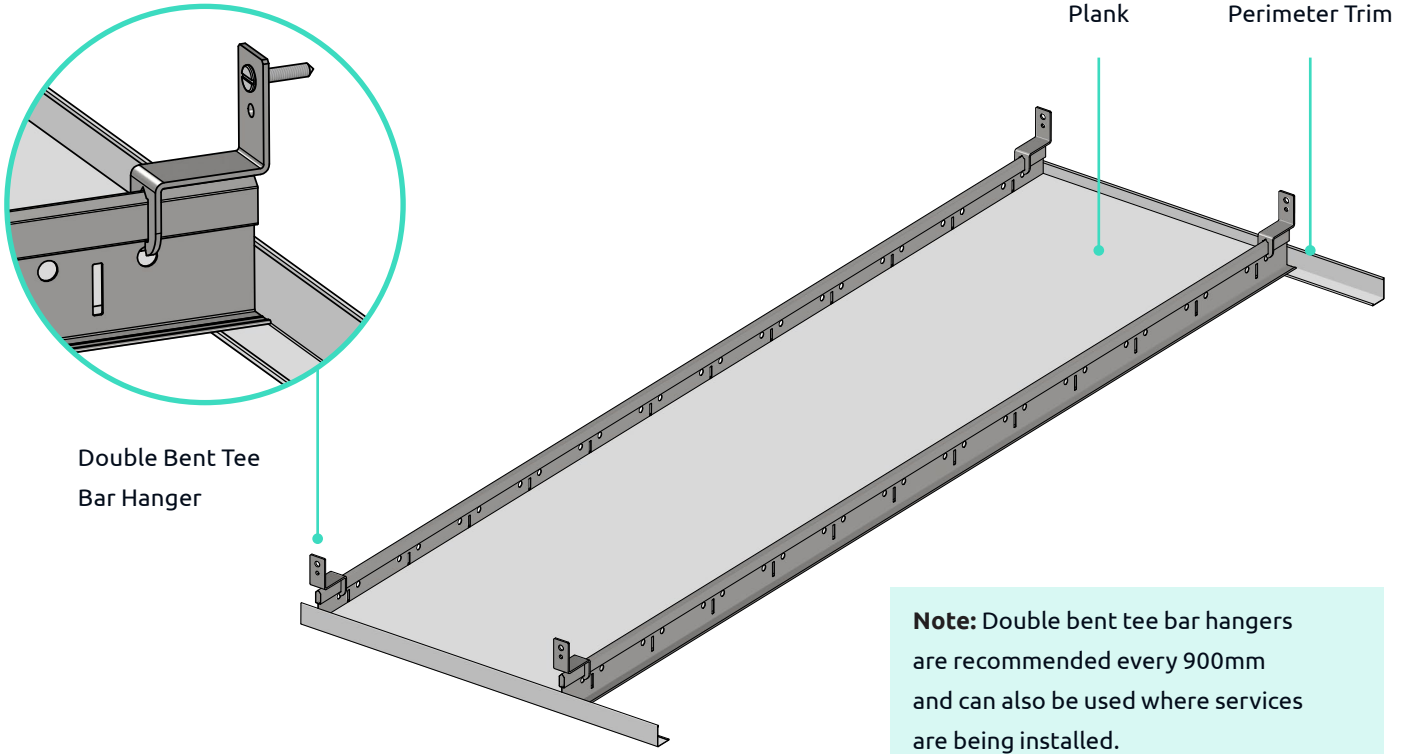
1. Gridline 24 Main Runner cut to length
2. Perimeter Trim
3. Plank



Important Note: Tiles should be slotted into place not pushed.

14 Corridor Installation

Double Bent Tee Bar Hanger – Wall Fixing

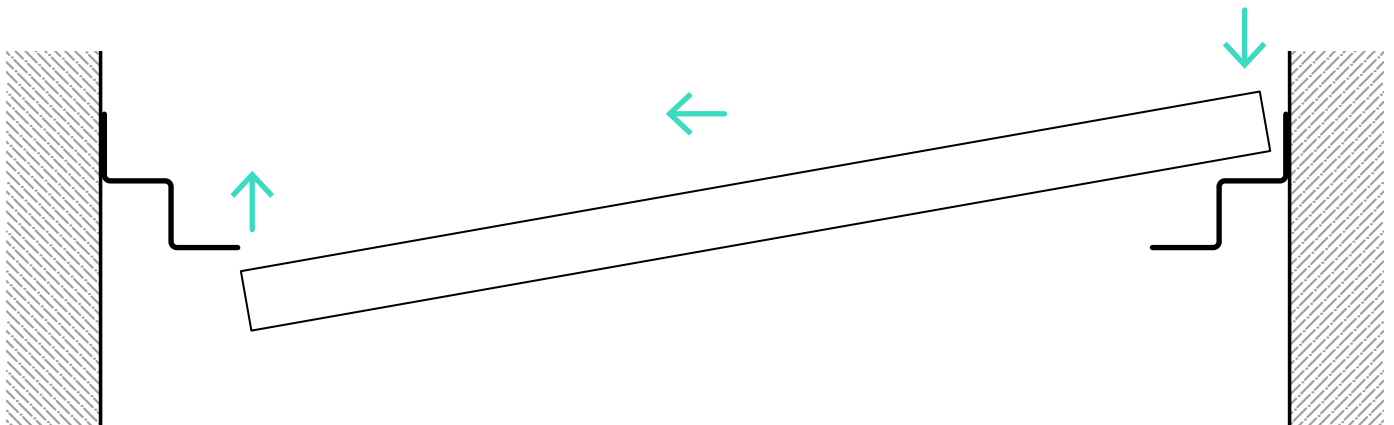


Item No.	Description	Length (mm)	Height (mm)
A WDN 23	Double bent tee bar hanger*	57	36

*works with L Trim and Shadowline Trim

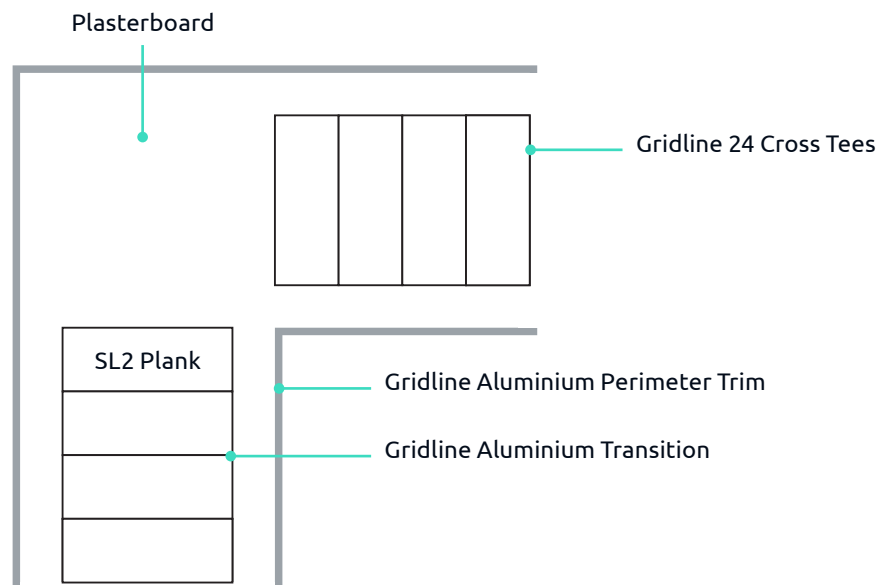
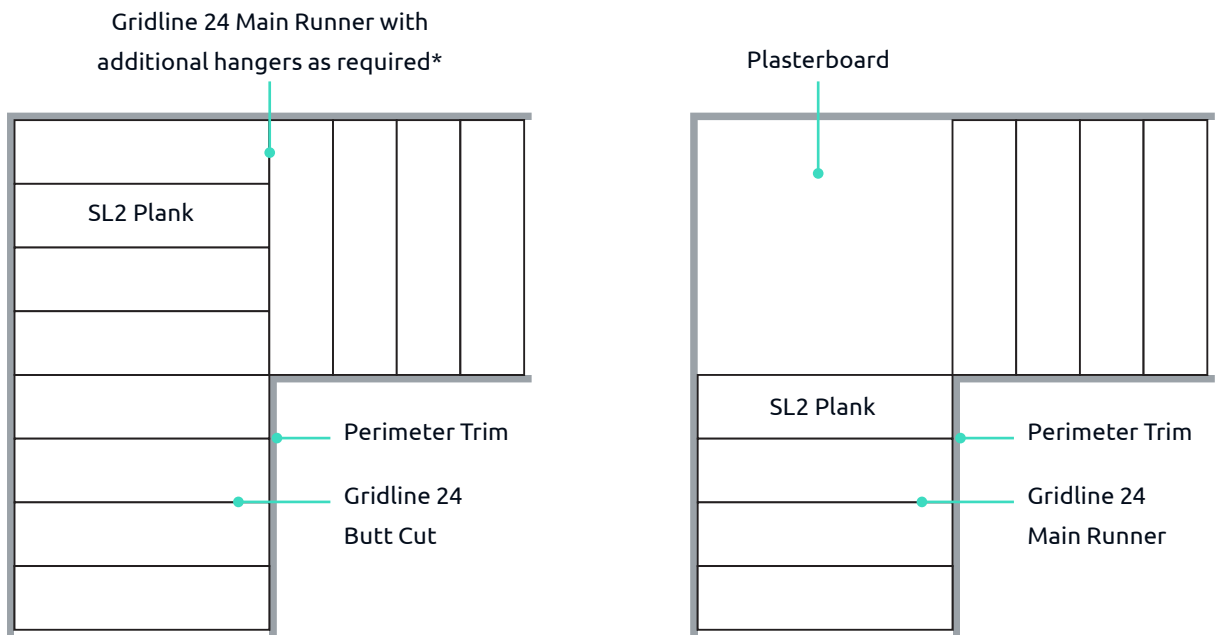
IMPORTANT NOTE:

Corridor installations require special consideration. Timber shadow battens or shadowline trims are recommended to ensure planks cannot 'fall off' the perimeter trim.



15 Corridor Layouts

Corridor Corner Layouts

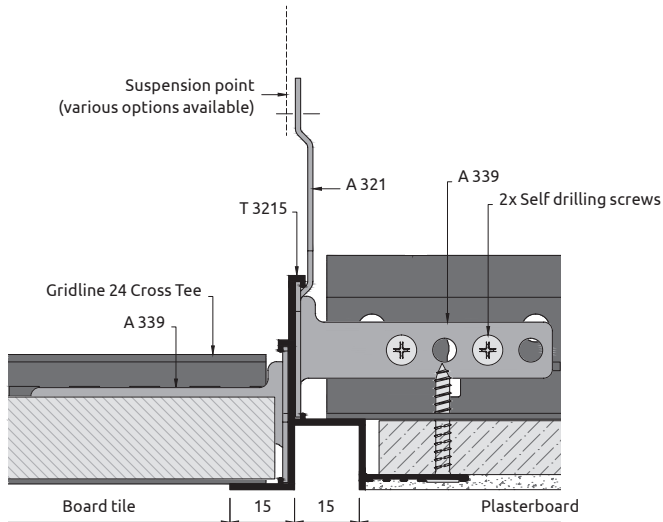


*For any additional information please contact Zentia Technical Support **0800 371 849**

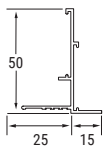
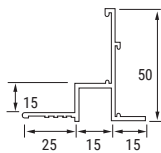
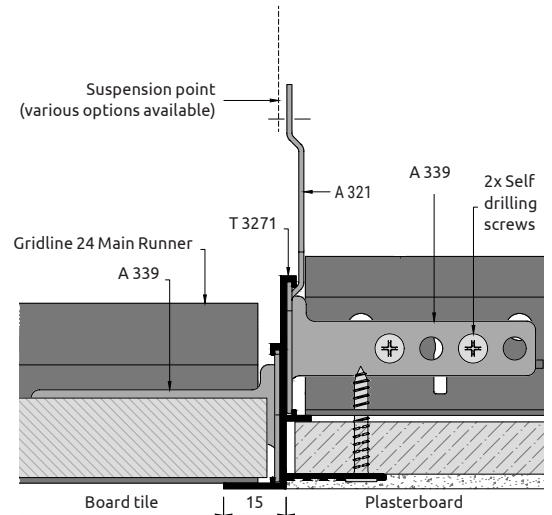
16 Gridline Aluminium Transitions

Integrating Plasterboard Borders

T 3215



T 3271



Item No.	Description	Length (mm)	Height (mm)
T 3215	Gridline Aluminium Transitions Shadowline Angle	3000	50
T 3271	Gridline Aluminium Transitions Angle	3000	51

Advisory note:

All design elements supplied in this brochure do not necessarily reflect any recommendation by any of the companies named in this brochure as to the proper use or recommended methods of installation of suspended ceilings and are supplied as informative material. For technical reasons in printing, differences may appear between colours printed in this brochure and the actual product. The choice of colours should always be made from a sample of the product. All statements and technical information contained in this brochure, or any publication of the companies named in this brochure, relating to Zentia are based on results obtained under laboratory test conditions. It is the responsibility of the user to verify with the seller of the products in writing that such statements and information are appropriate to the specific use intended. Sales of the products and liability of the selling companies are in accordance with the terms and conditions of sale in the selling company. All product specifications are subject to modifications without prior notice.