

Installation Guide

Triangle Ceilings



Summary

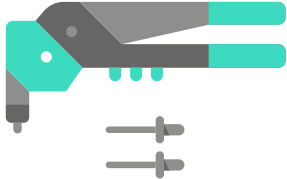
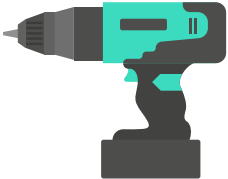
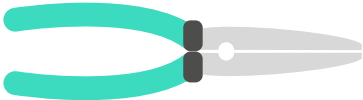
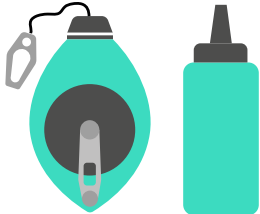
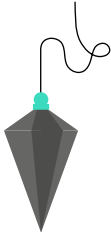
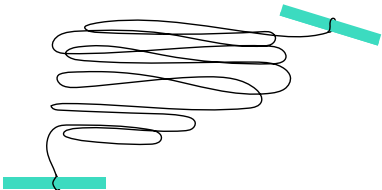
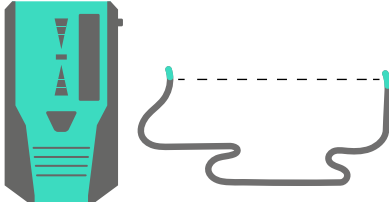
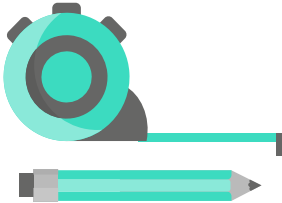
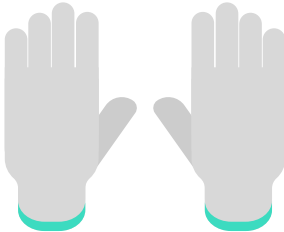
- 1 Tools required
- 2 Components
- 3 Hangers
- 4 Grid set up
- 5 Triangular ceiling installation
- 6 Cross T to perimeter trim
- 7 Installing tiles
- 8 Cutting tiles
- 9 Fully installed



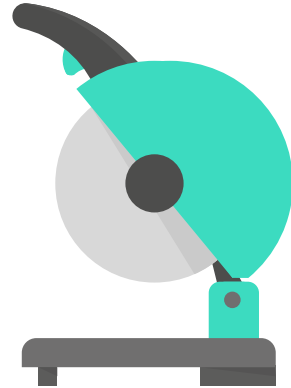
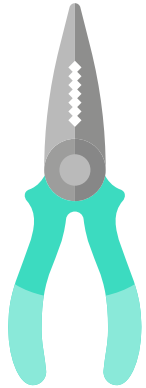
1 Tools required



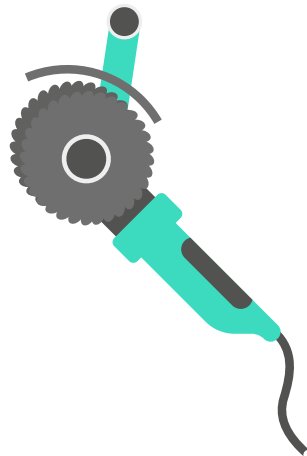
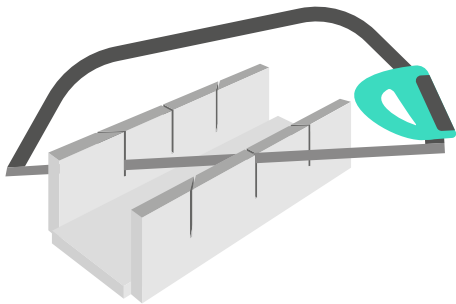
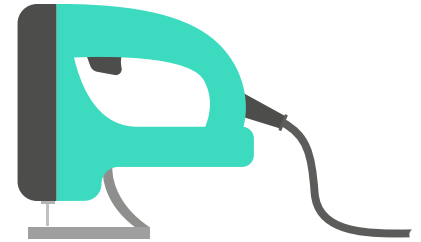
General tools



Grid tools



Tile tools

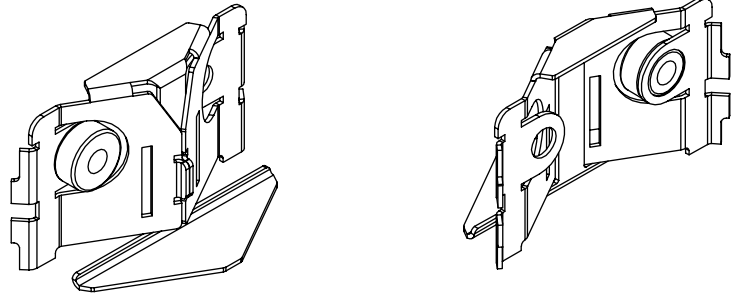


2 Components

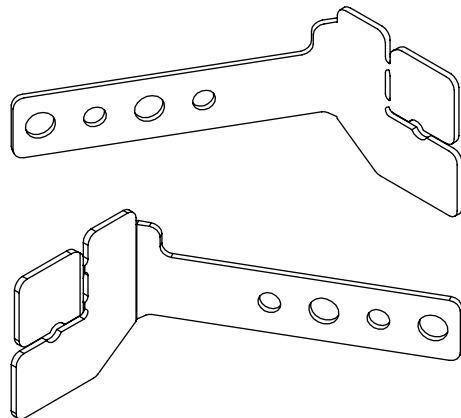


Components

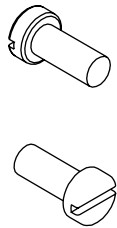
Nodal



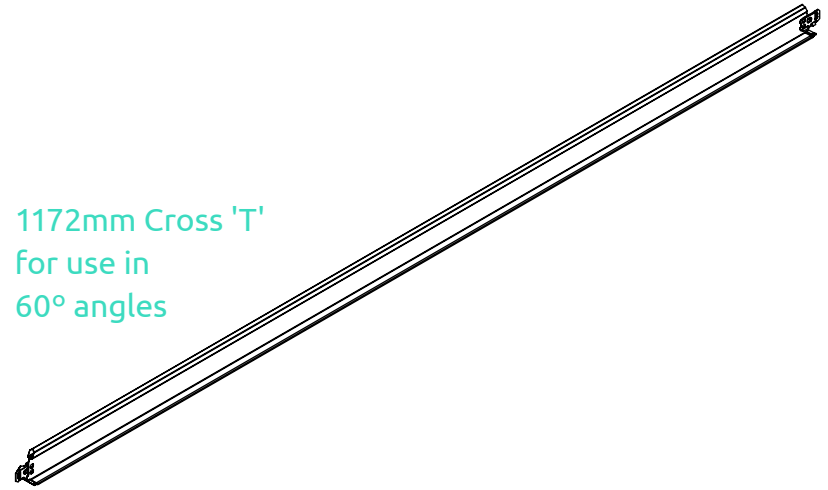
A 339 Universal T bar connector clip bent to shape on site as required



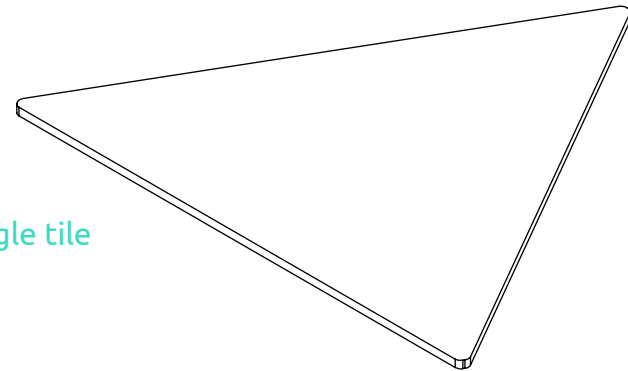
M6 Screws



1172mm Cross 'T'
for use in
60° angles



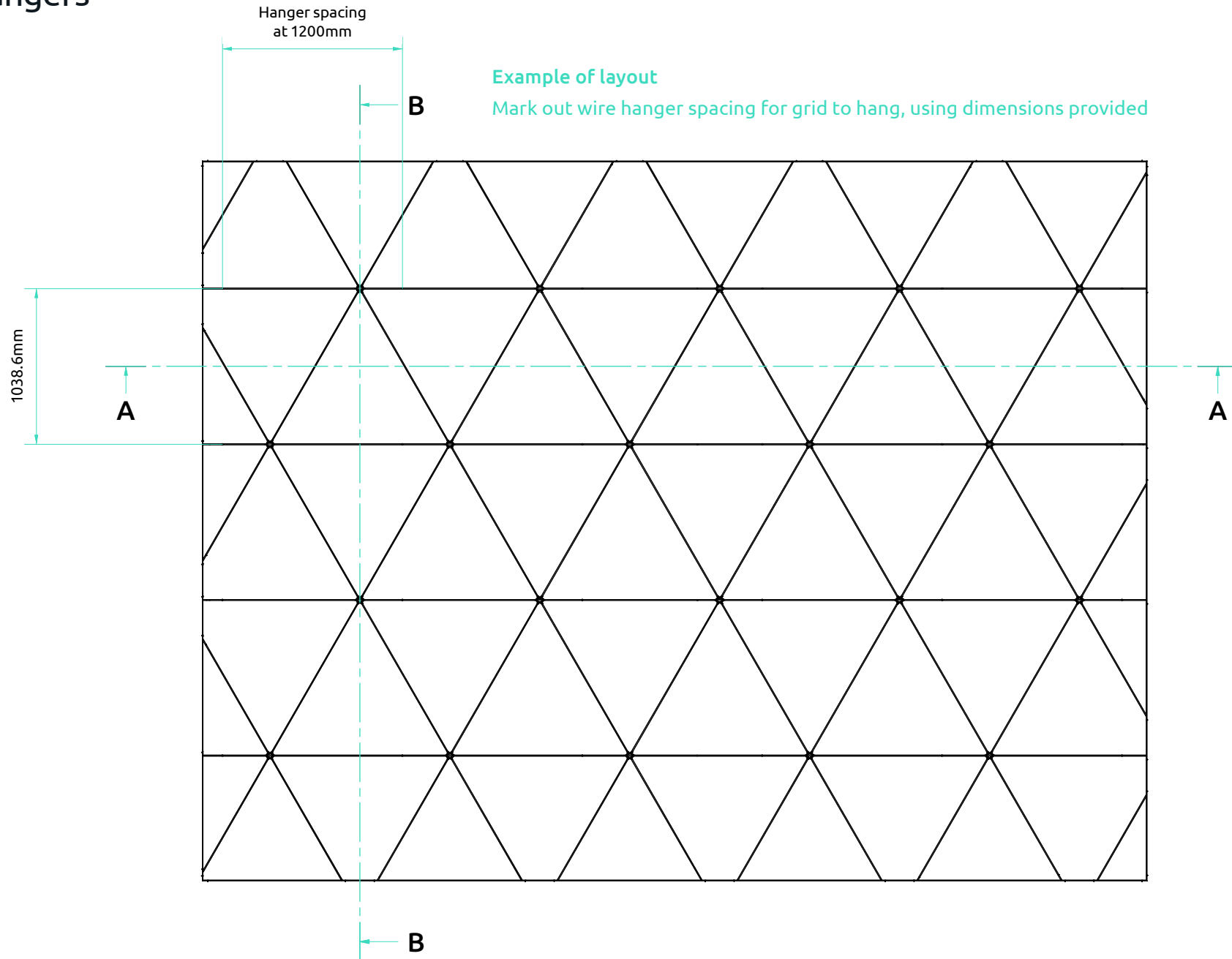
Triangle tile



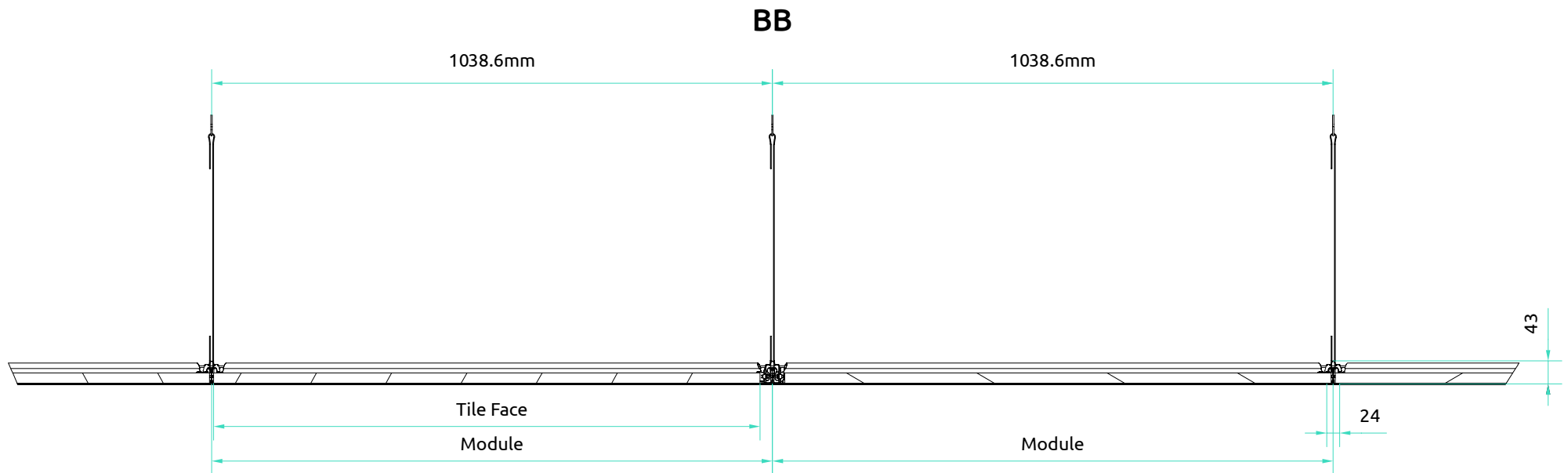
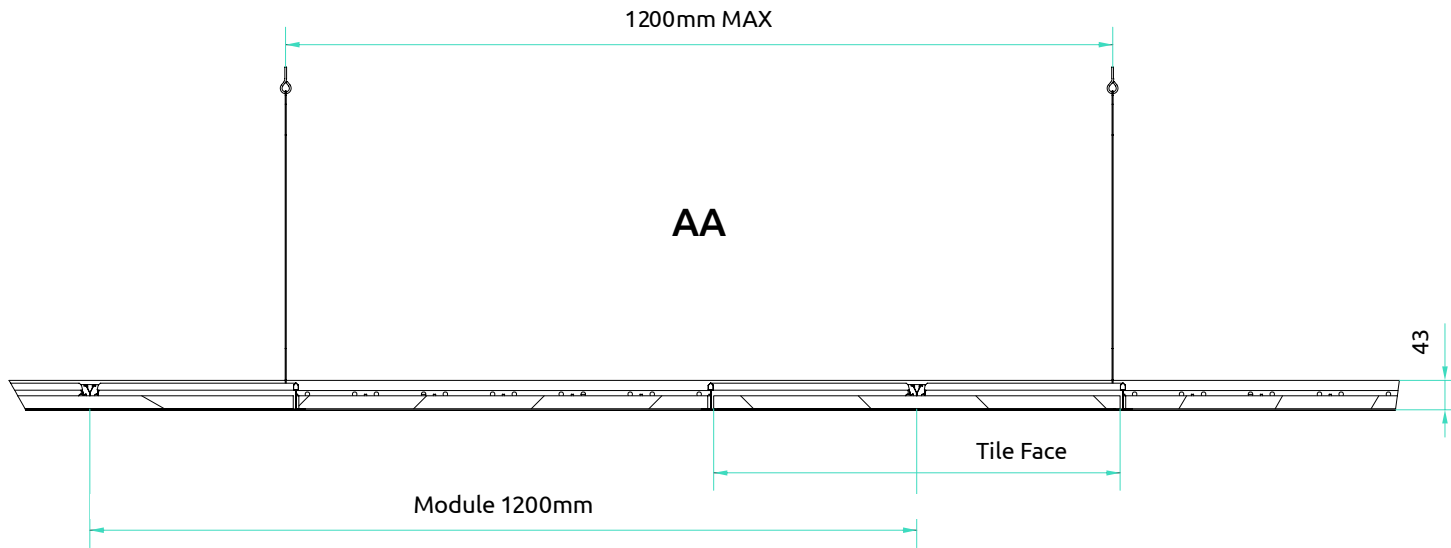
3 Hangers



Hangers



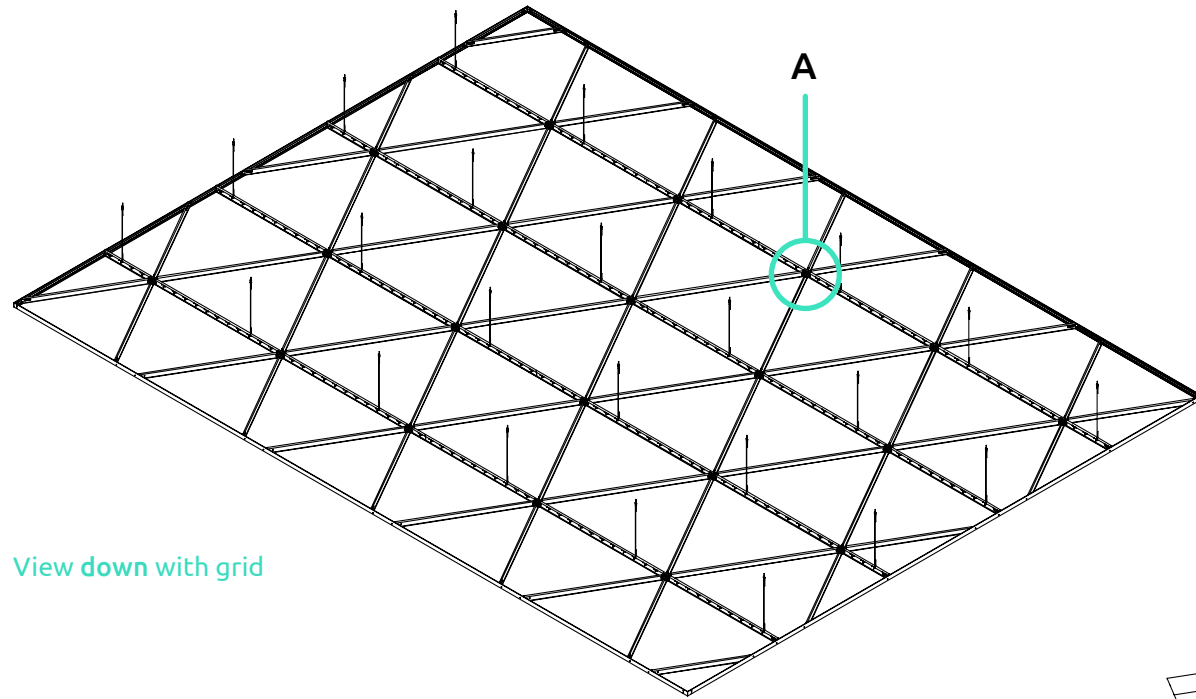
Hangers spacing for grid



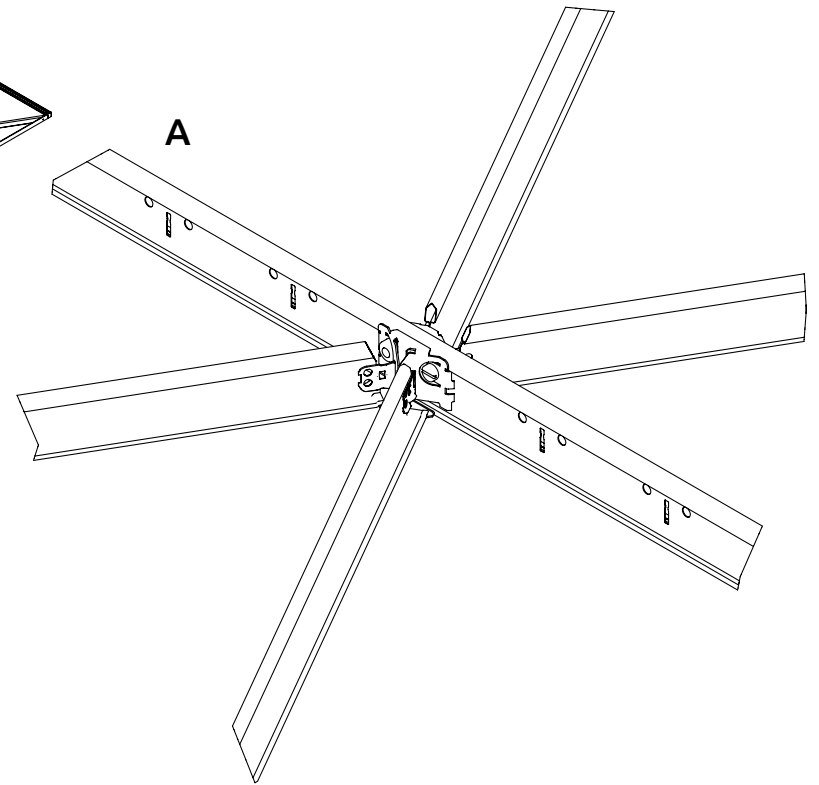
4 Grid setup



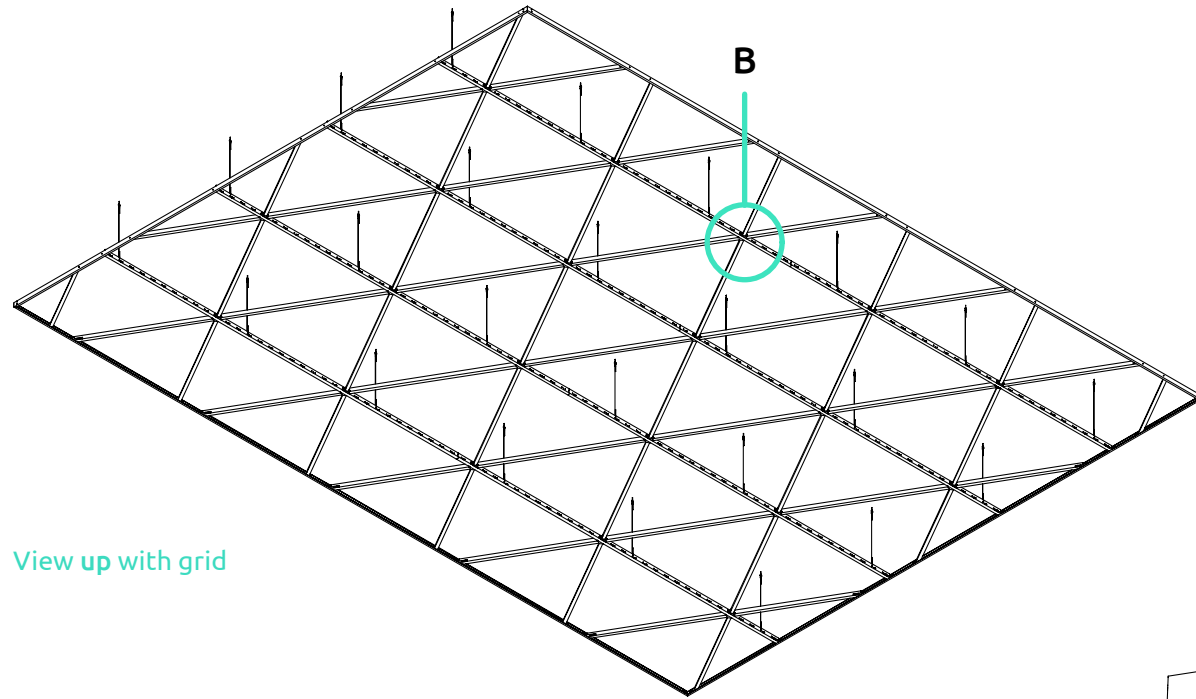
Grid set up



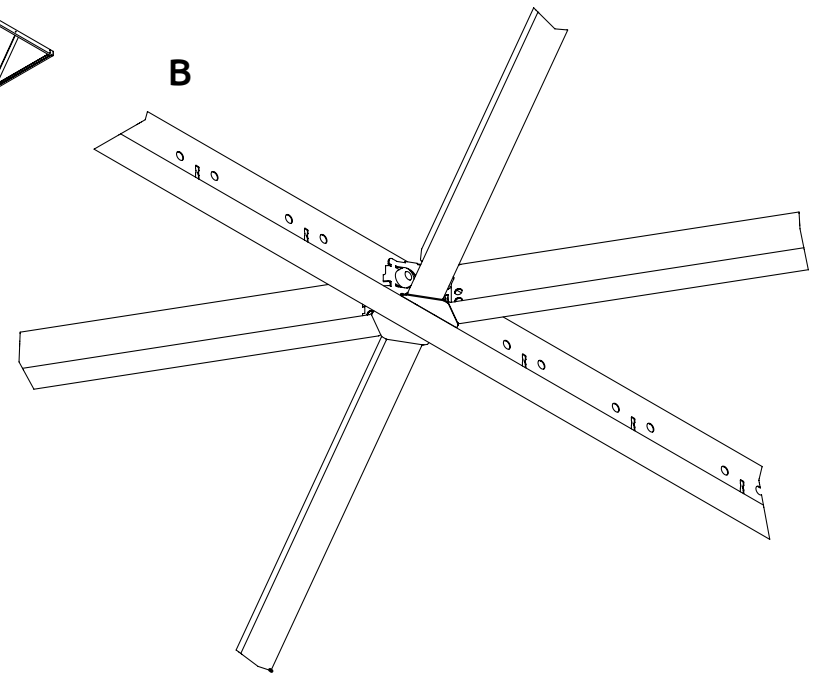
View down with grid



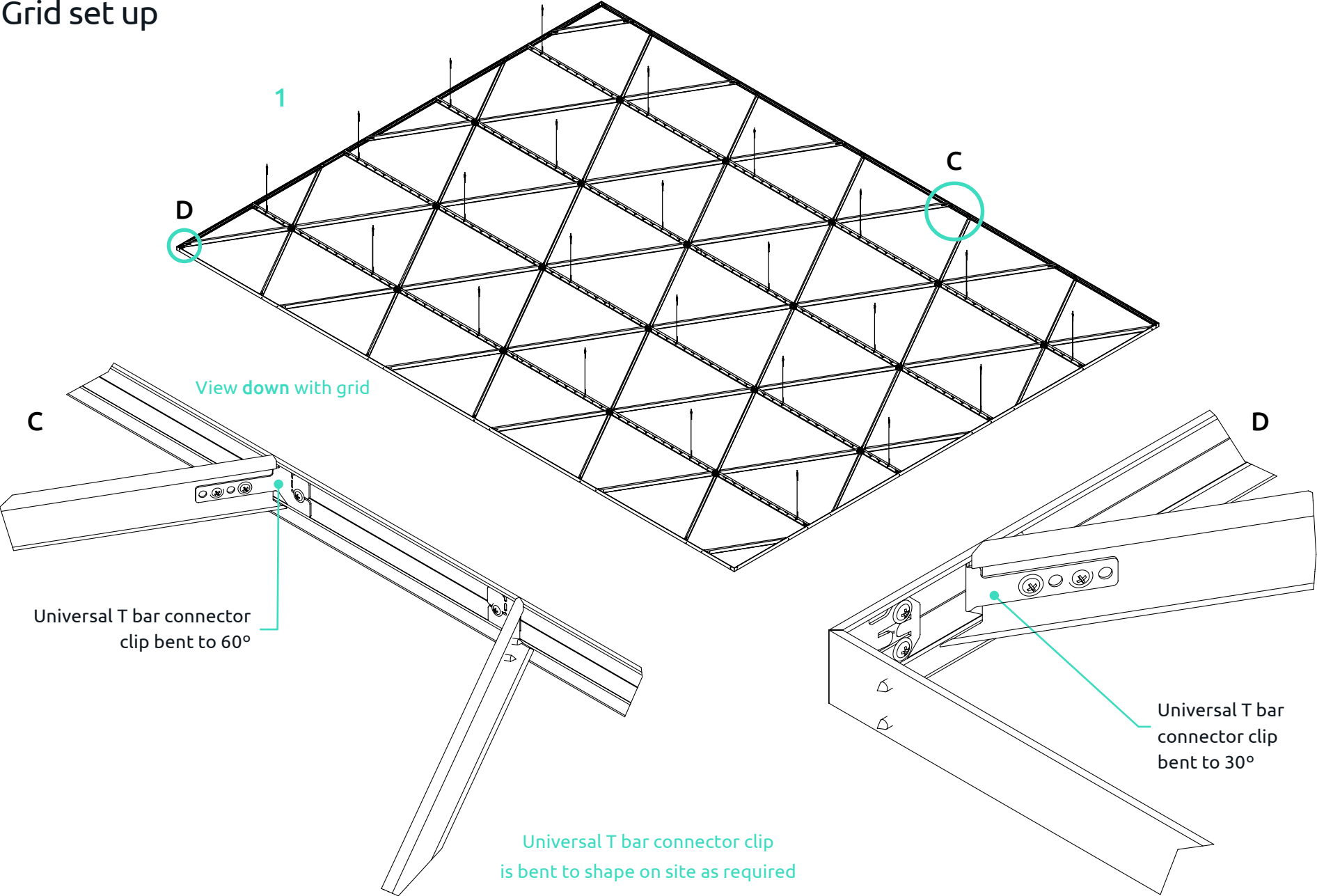
Grid set up



View up with grid



Grid set up



View down with grid

Universal T bar connector clip bent to 60°

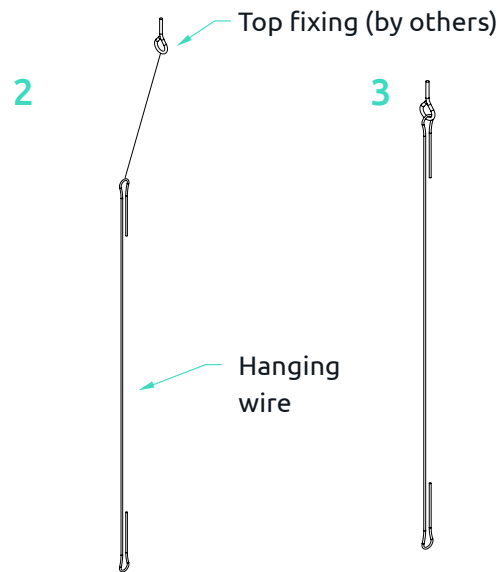
Universal T bar connector clip bent to 30°

Universal T bar connector clip is bent to shape on site as required

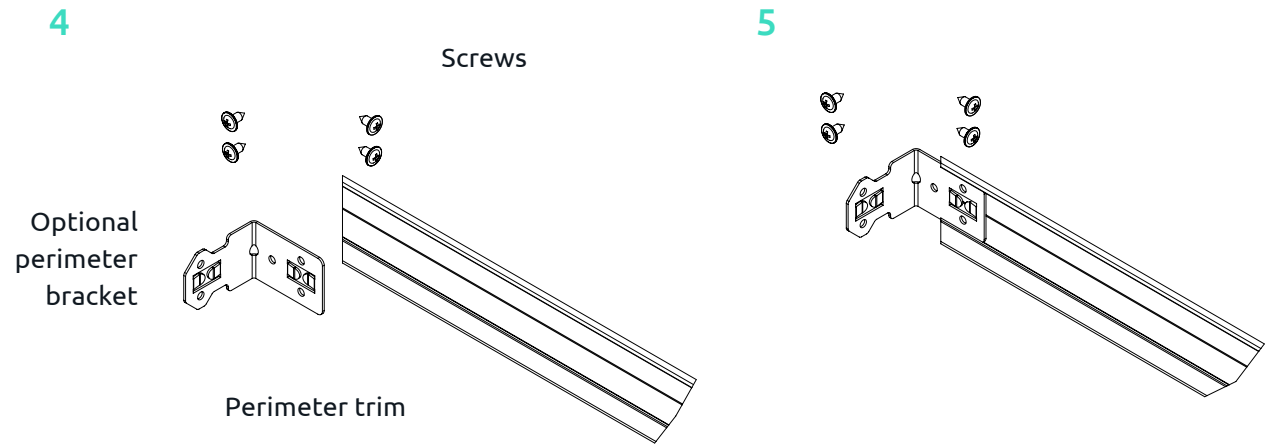
5 Triangular ceiling installation



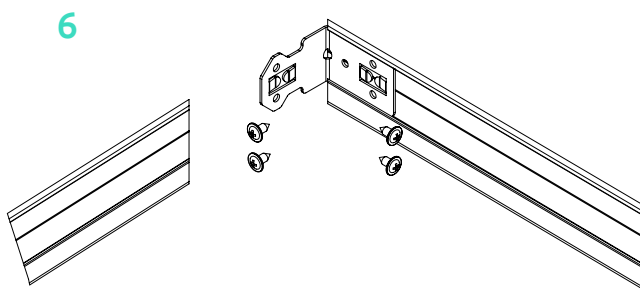
Triangular ceiling installation



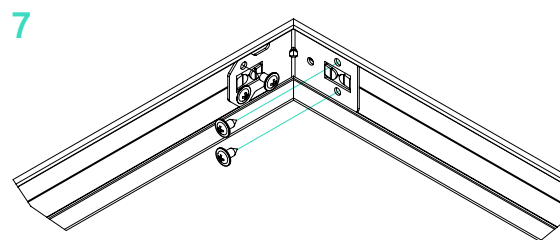
Once spacing is measured out and top fixings are inserted to the ceiling the wire hanger is attached in preparation for the main runner



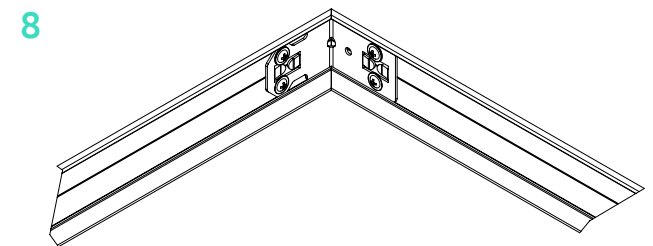
Mount perimeter trim on wall to required height and screw in place in preparation for grid, cut down to size as required and use splice plates if needed when trims joined (optional use of corner bracket). Before mounting last perimeter trim on wall insert corner bracket



(Optional use of corner bracket). Once corner bracket slide/inserted mount perimeter trim to the wall

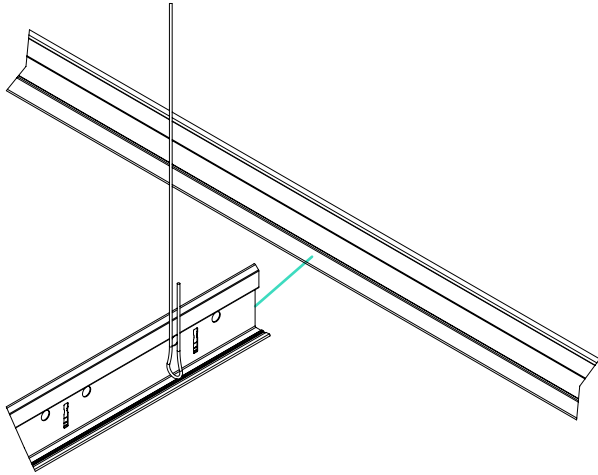


Once mounted slide perimeter trim from the adjacent wall on to the bracket and screw into place to secure



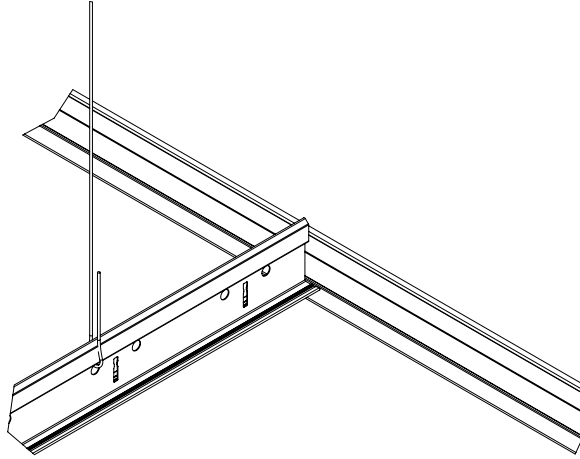
Triangular ceiling installation

9

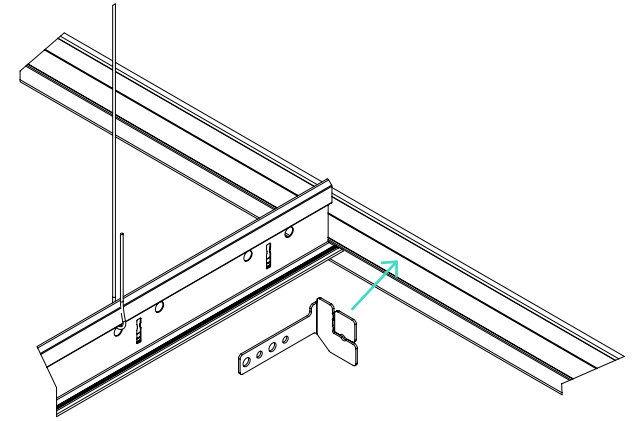


Raise main runner on to the perimeter trim and attach/twist wire to secure

10

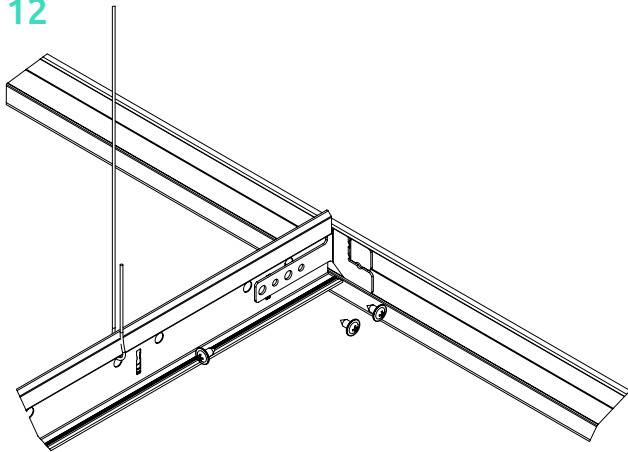


11

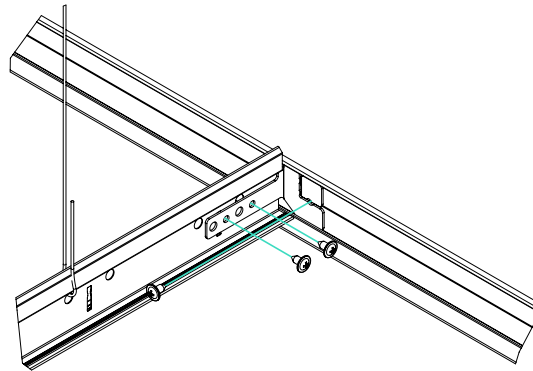


Locate/twist T bar connector clip into place and push in locking tab to secure

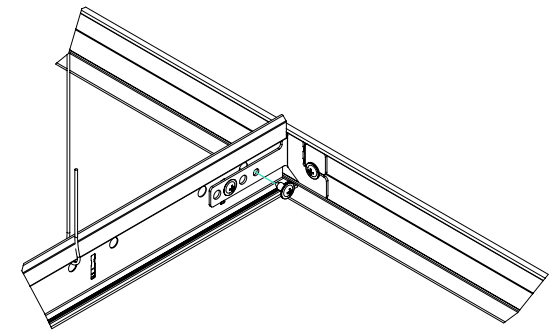
12



13



14

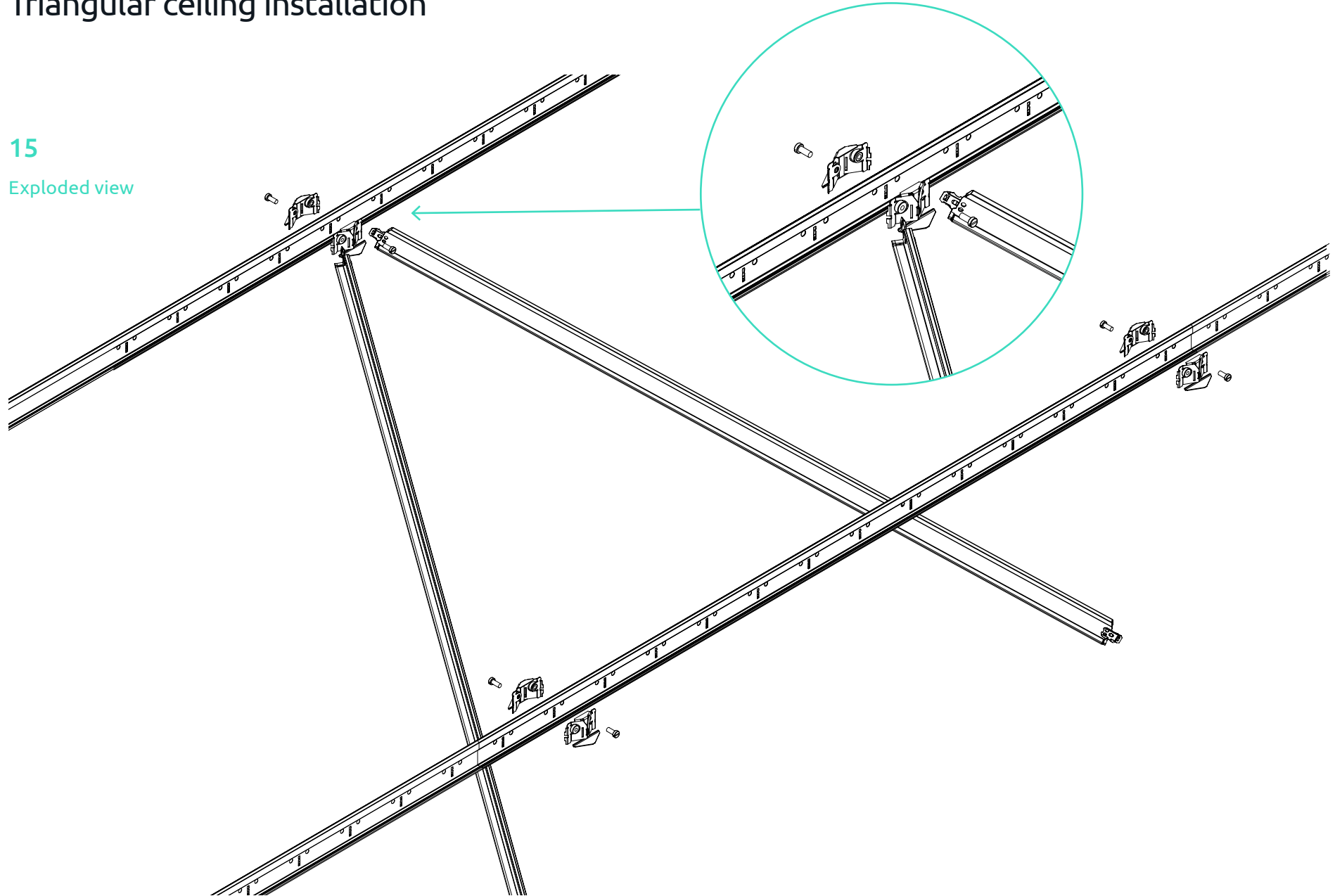


Once main runner is located screw into place to secure elements

Triangular ceiling installation

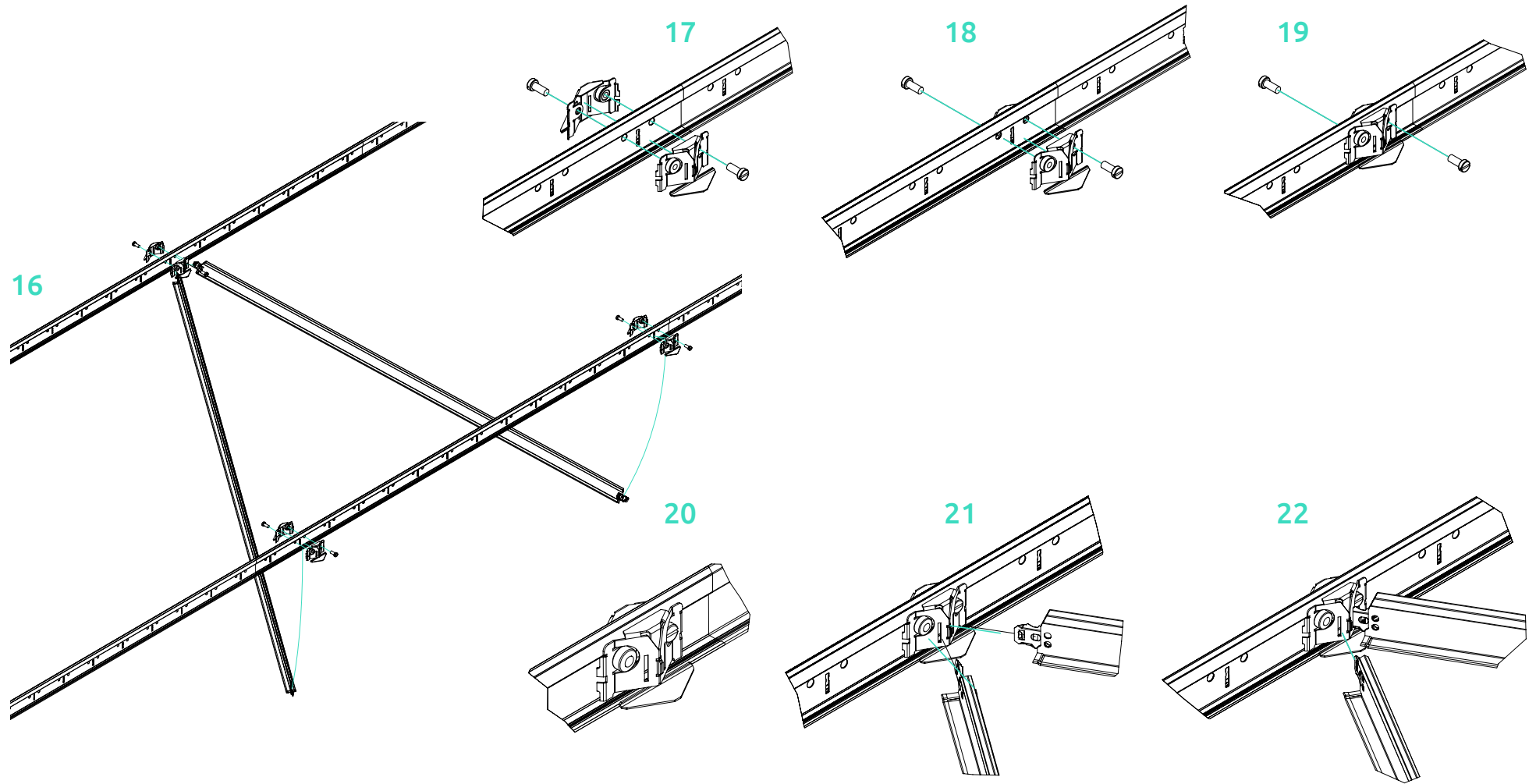
15

Exploded view



Triangular ceiling installation

Nodals are placed 1200mm apart and centred 600mm on opposite grid.
When installing the nodal to hold it down on to the grid as you screw
it to the runner for better alignment

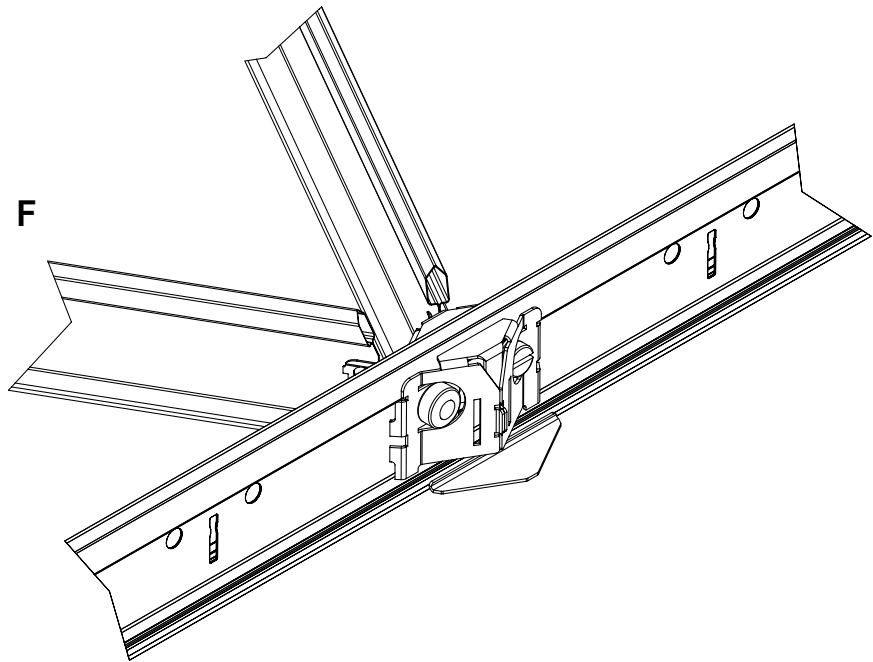
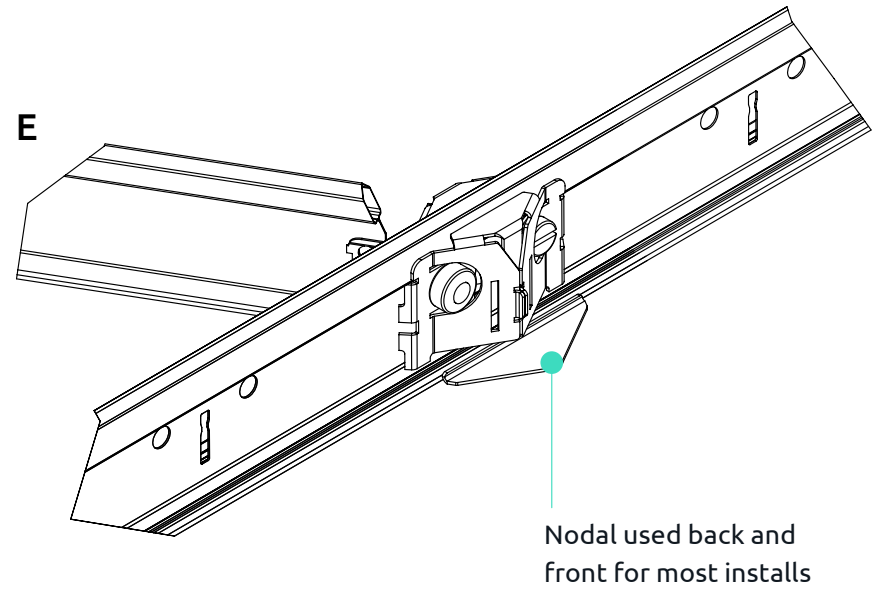
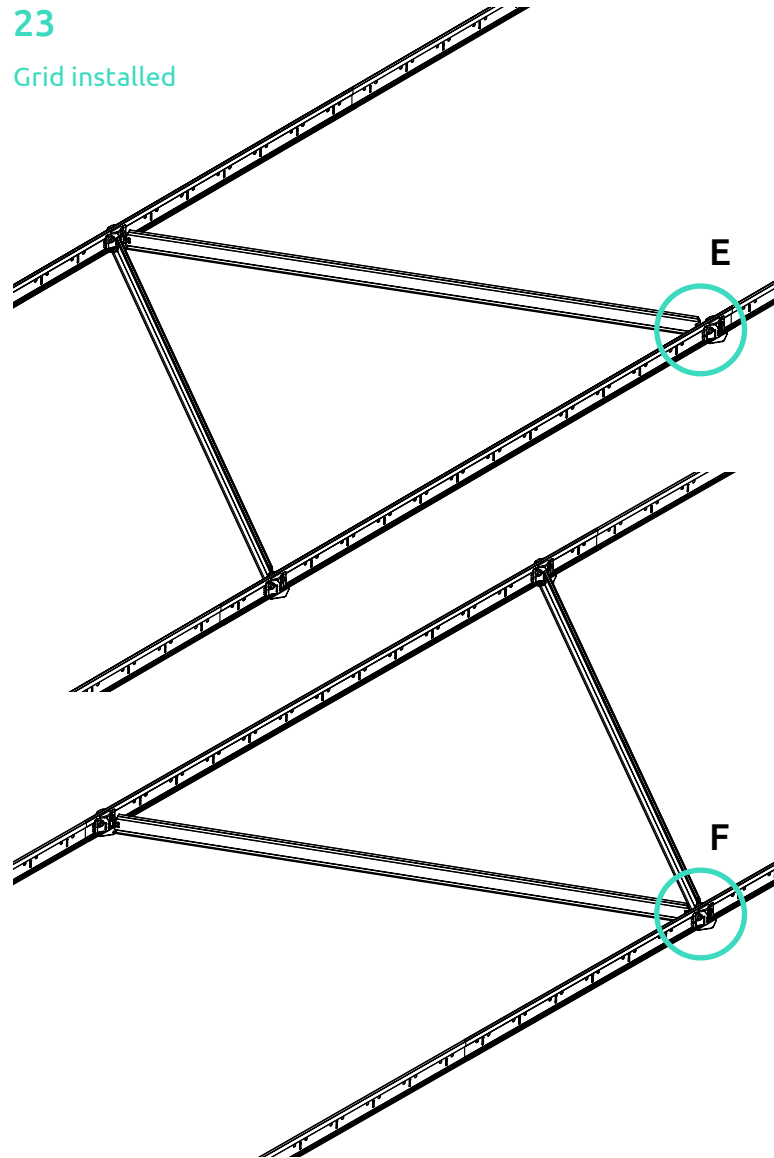


Step 22 clip in
'Cross T' as required

Triangular ceiling installation

23

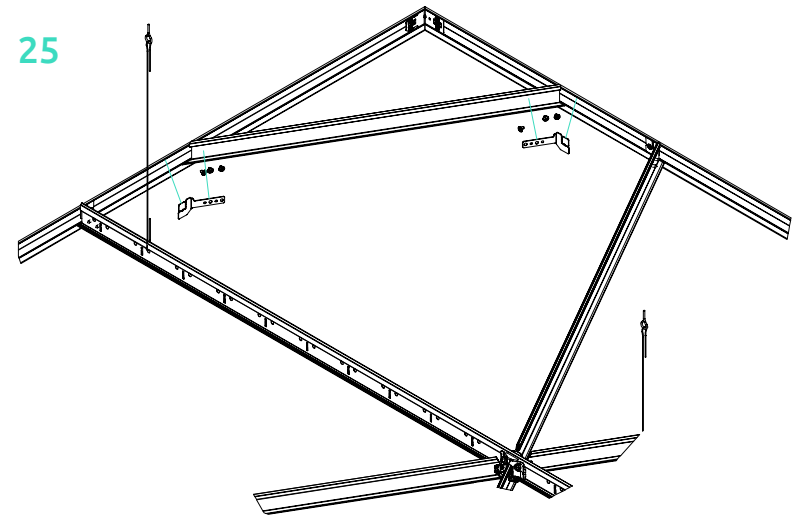
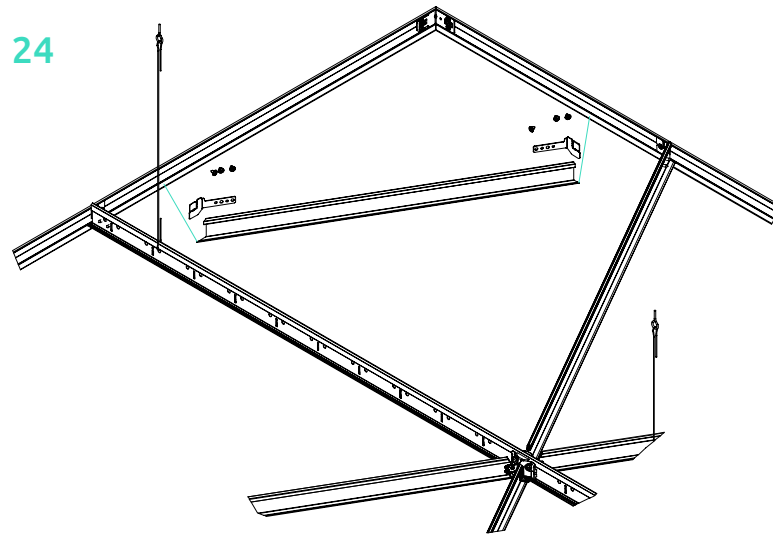
Grid installed



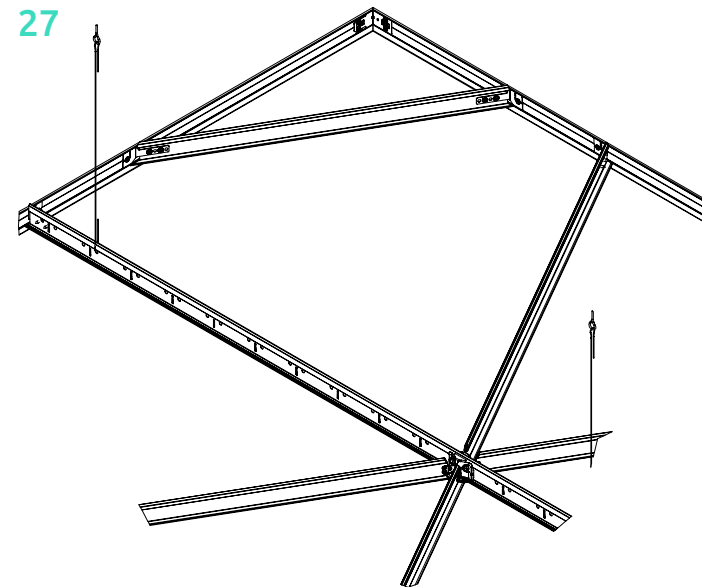
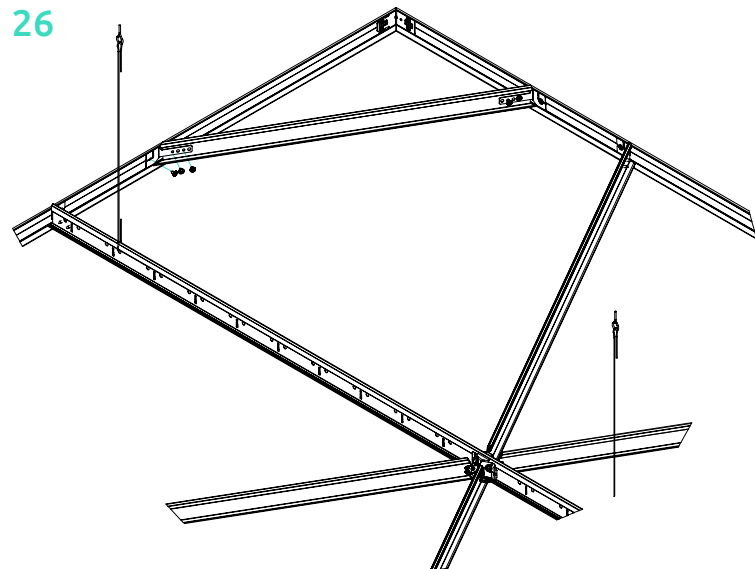
6 Cross T to perimeter trim



Cross T to perimeter trim



Cross T cut to size too sit on to the perimeter trim and brackets are bent to shape on site, then screwed to join and secure component in place

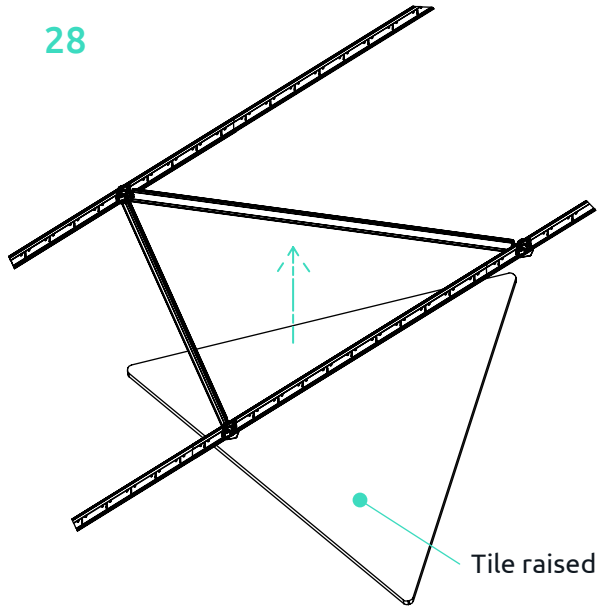


7 Installing tiles

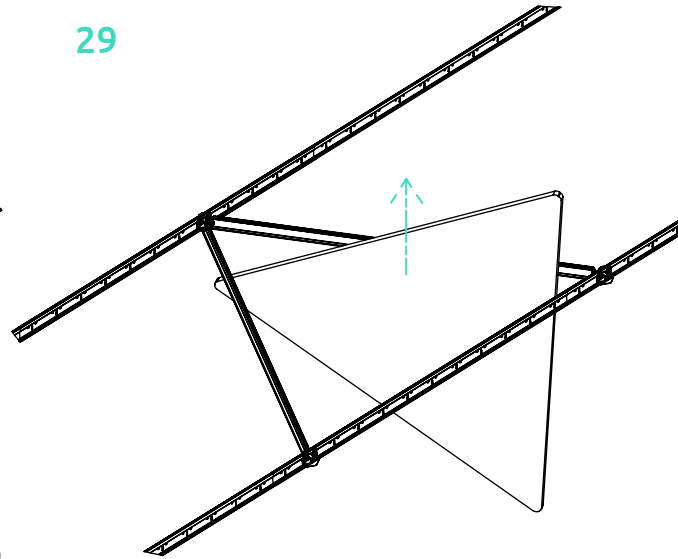


Tile inserted into place

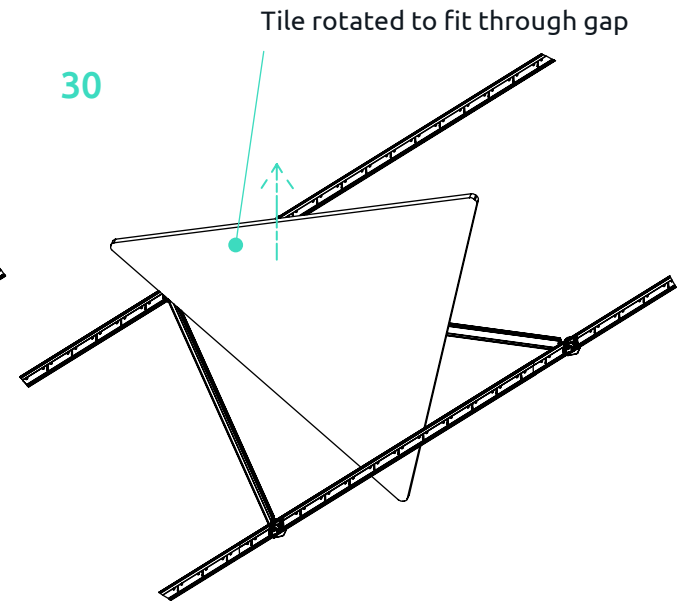
28



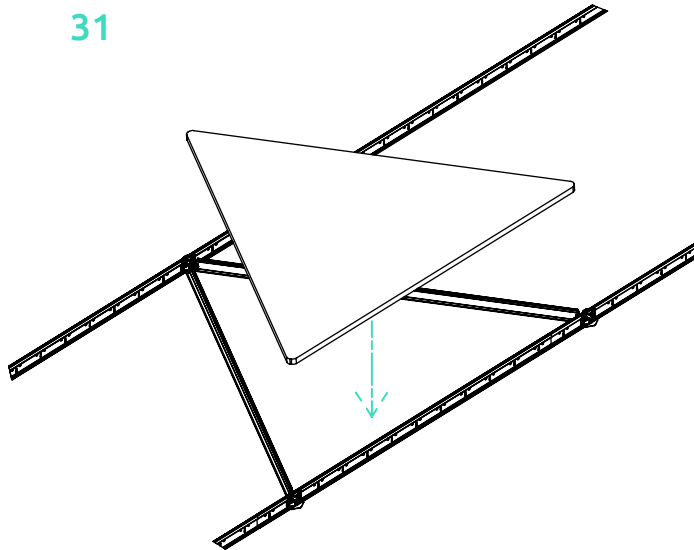
29



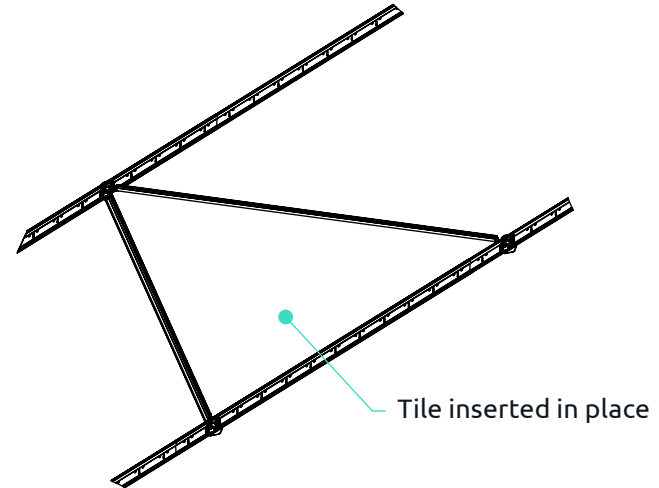
30



31



32

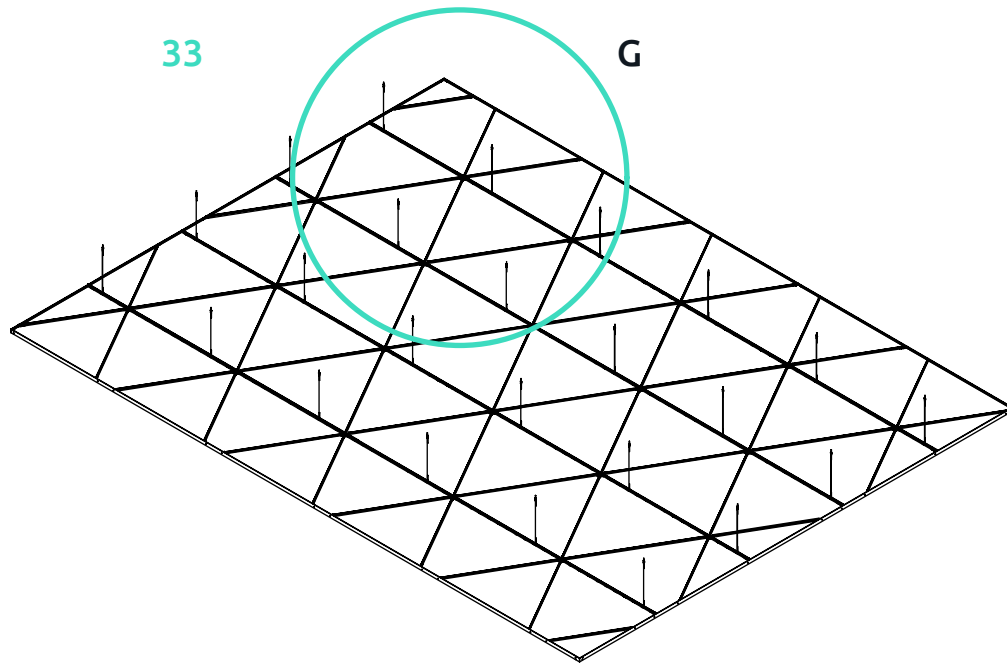


8 Cutting tiles

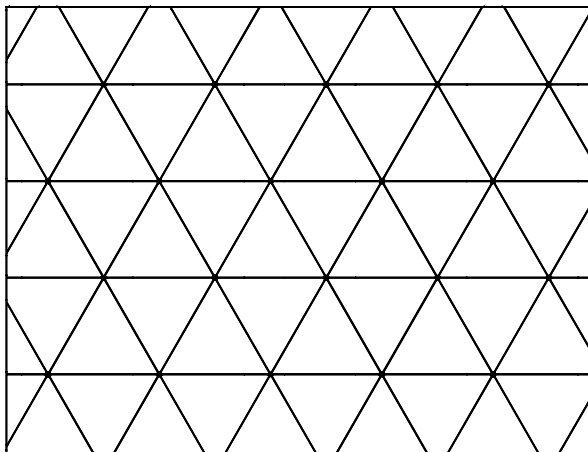
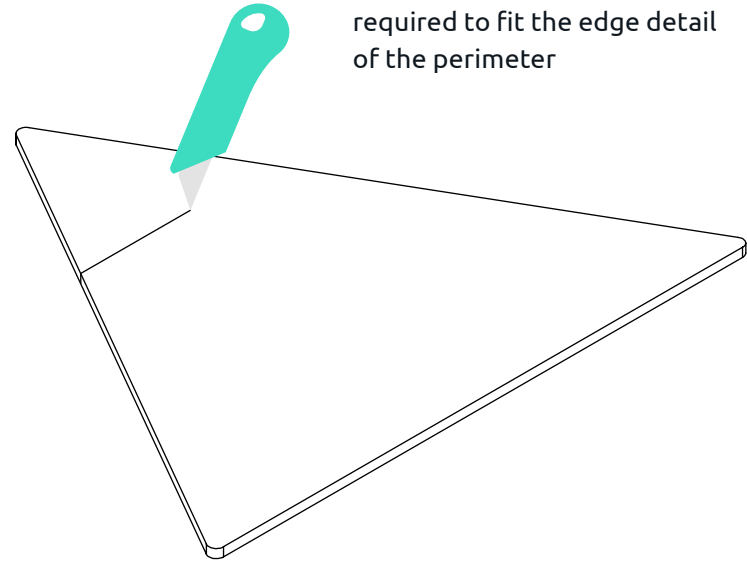


Cutting tiles

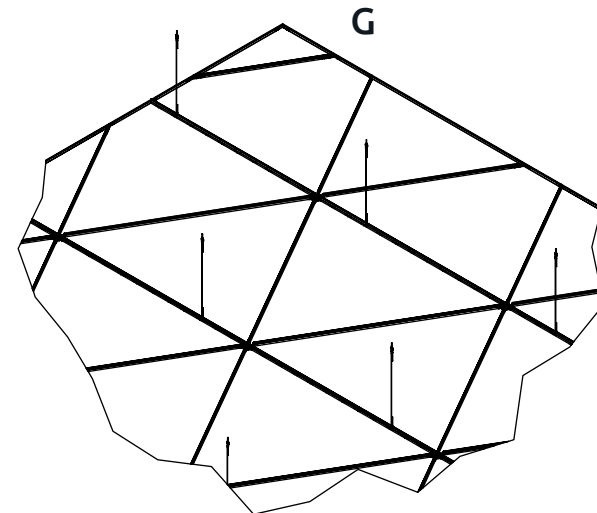
33



Triangle tile inserts as a full tile but can be cut to size as required to fit the edge detail of the perimeter



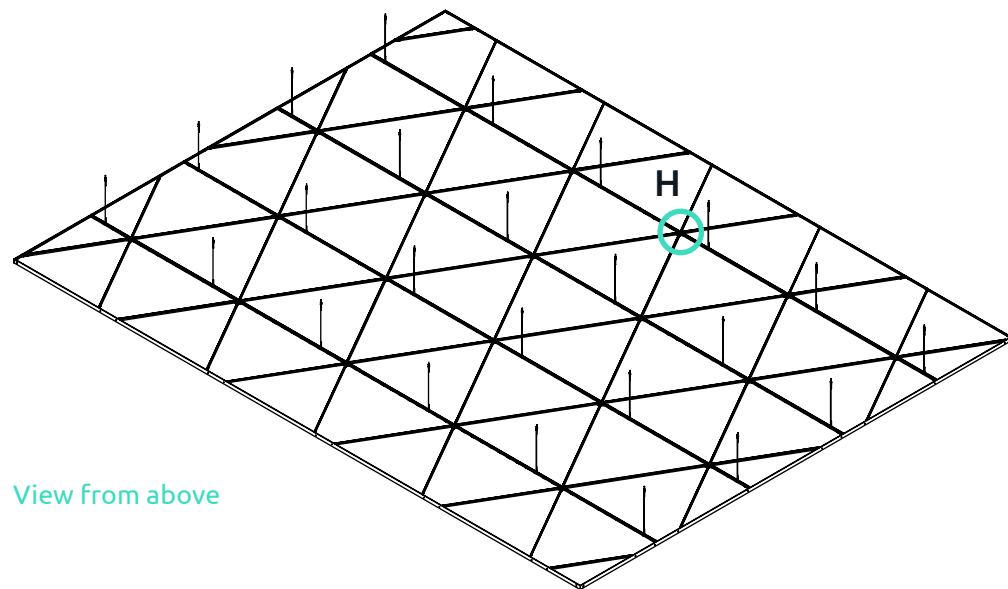
Example of plan layout



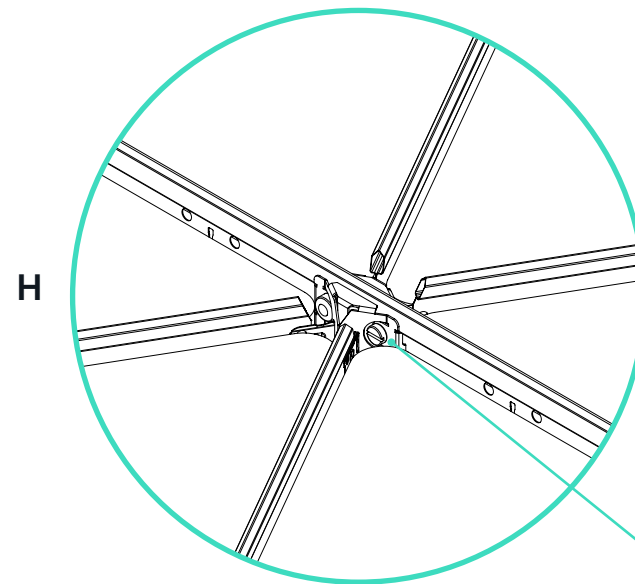
9 Fully installed



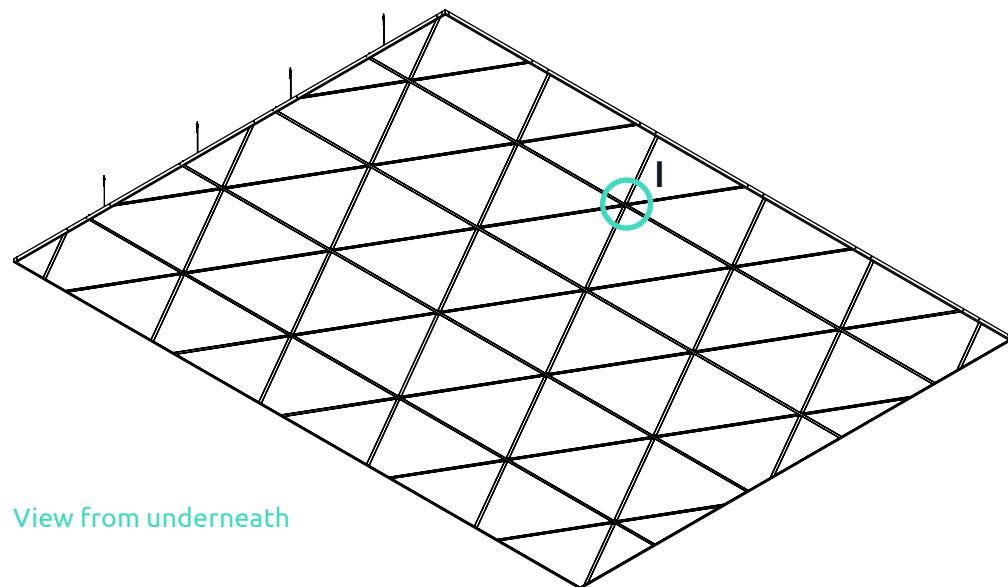
Fully installed



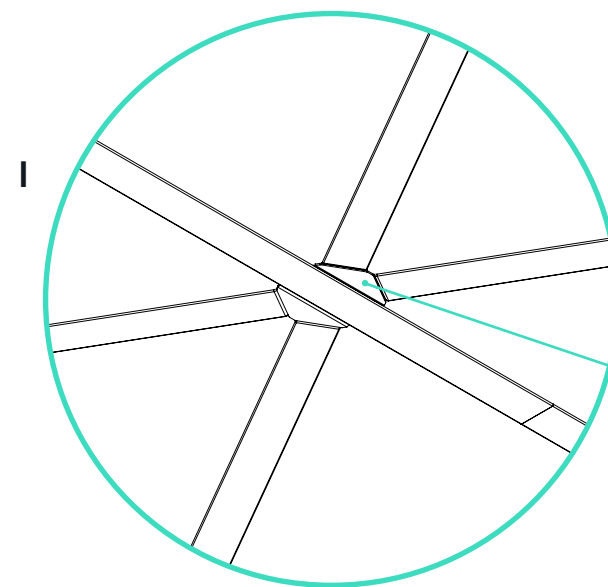
View from above



Nodal bracket installed



View from underneath



Base plate of bracket