

Installation Guide

Prelude 24 / Prelude Sixty²

Mineral Board / Tegular / Vector



Summary


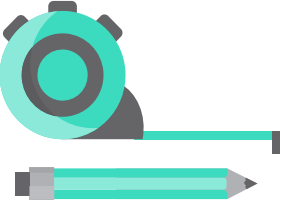


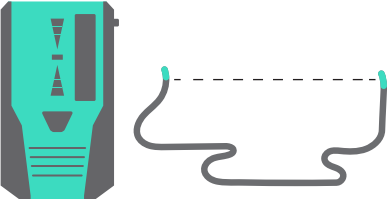

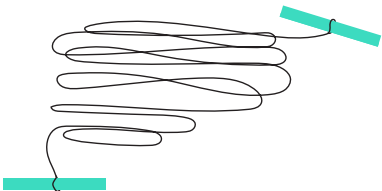

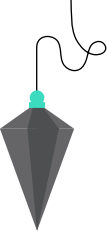
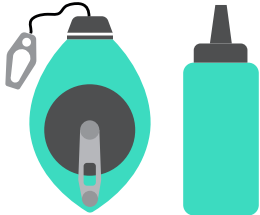
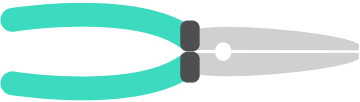
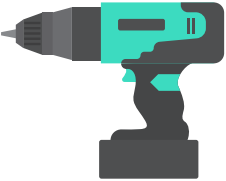

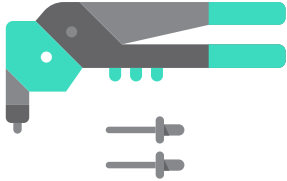
- 1 Tools required
- 2 Room layout
- 3 Perimeter trim installation
- 4 Top fixings & hangers
- 5 Main Runner installation
- 6 Cross Tee installation
- 7 Full size tile installation
- 8 Cut tile installation



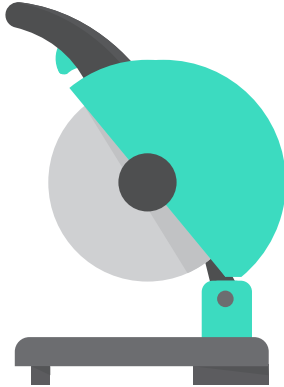
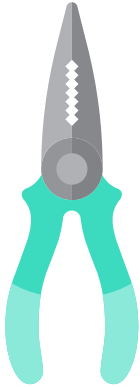
1 Tools required



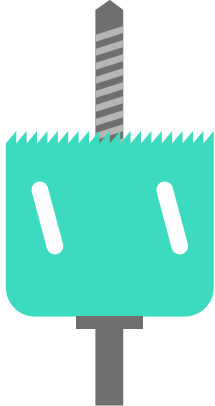
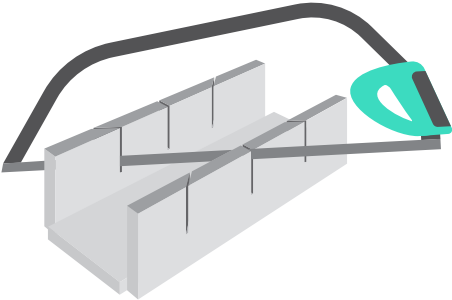
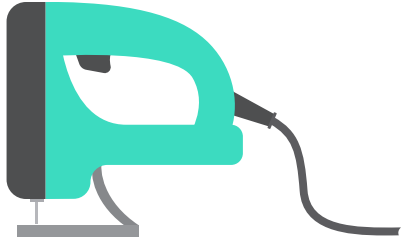
General tools

1.2 Grid tools



1.3 Tile tools

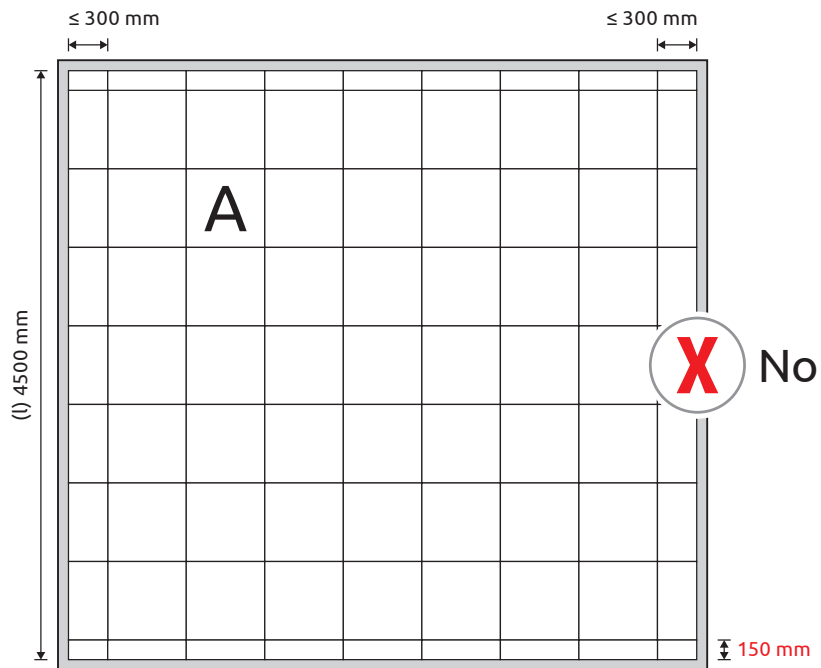


2 Room Layout



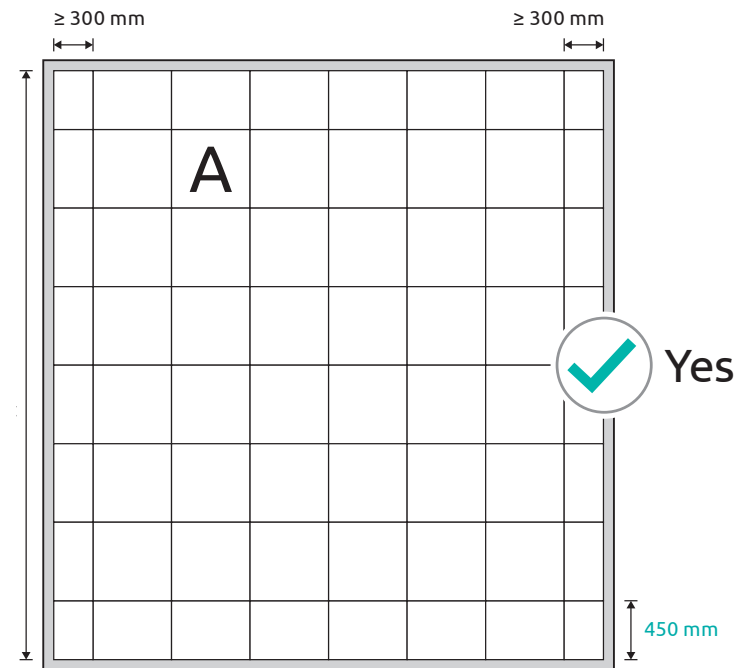
Planning the layout

2.1



A : 600 x 600 mm

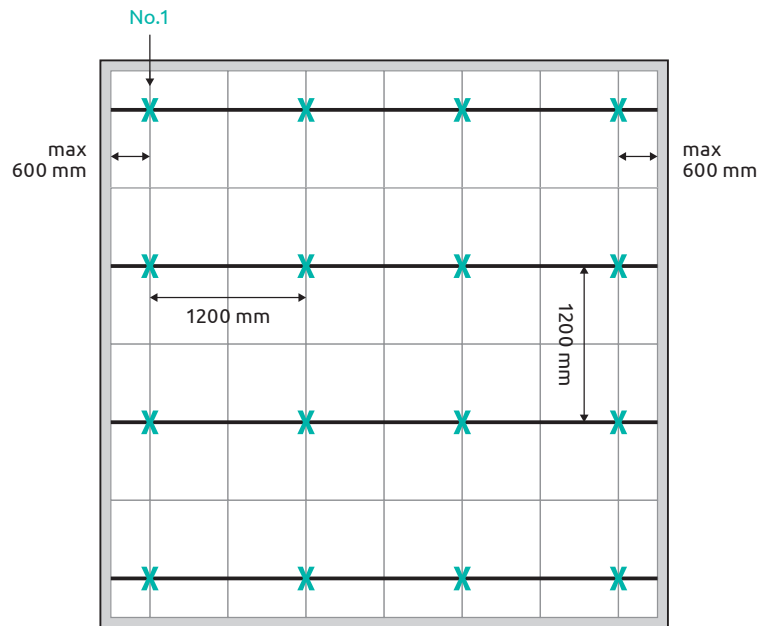
$$4500 \text{ (l)} / 600 = 600 \times 7 + 150 \times 2$$



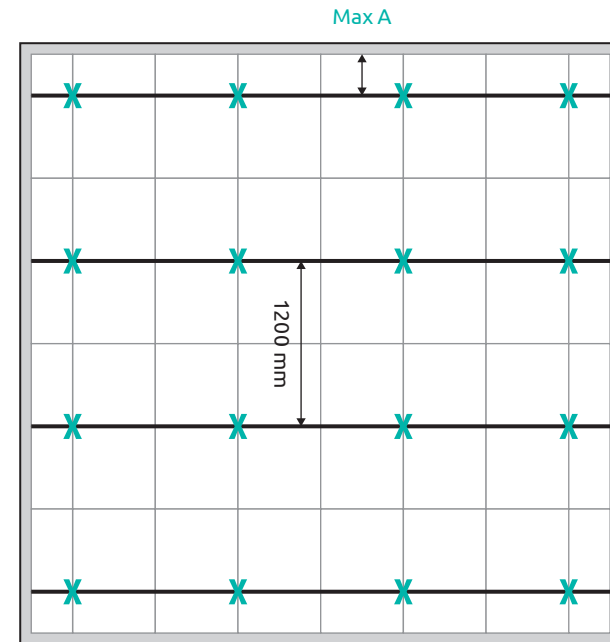
A : 600 x 600 mm

$$4500 \text{ (l)} / 600 = 600 \times 6 + 450 \times 2$$

2.2 First hanger location



2.3 Direction of the Main Runners



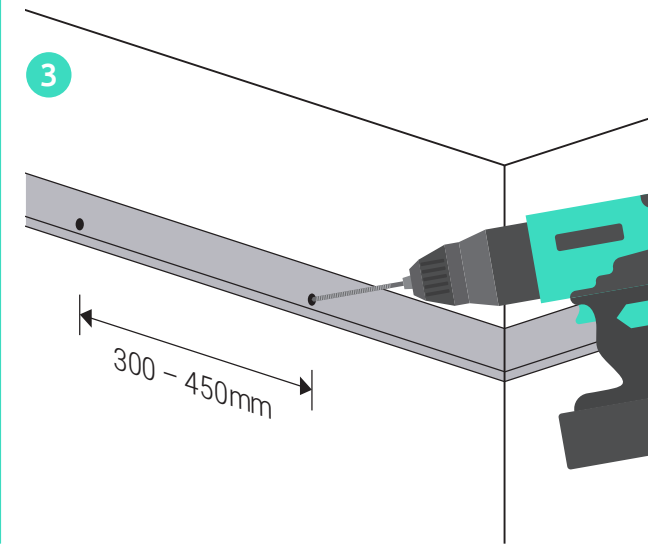
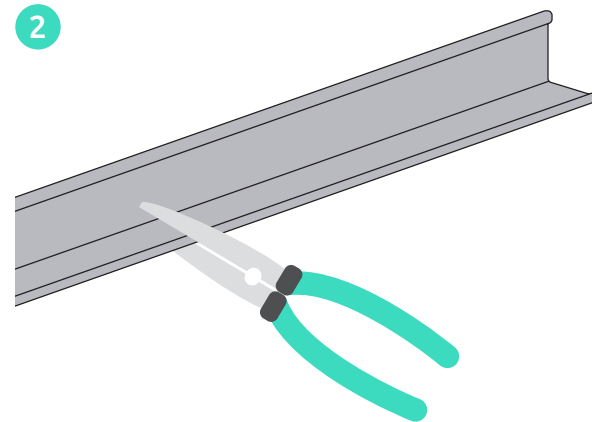
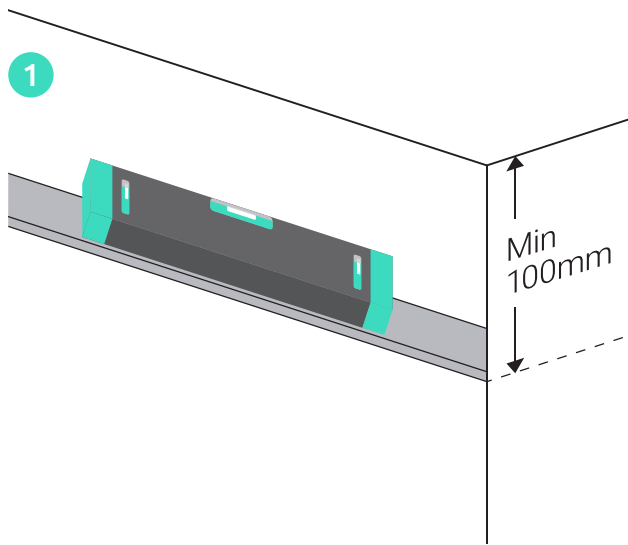
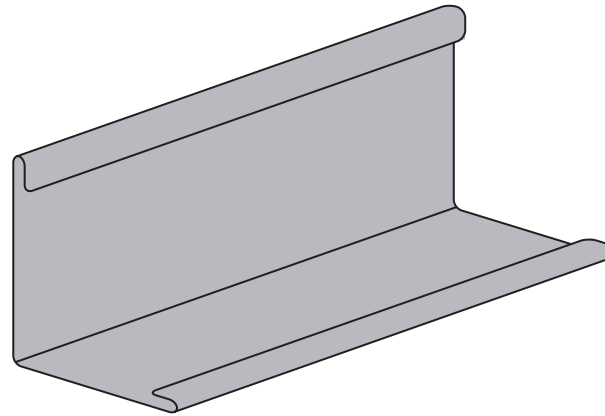
*For alternative hanger and main runner spacing, please contact ITS on 0800 371 849

3 Perimeter trim installation



Angle trim installation

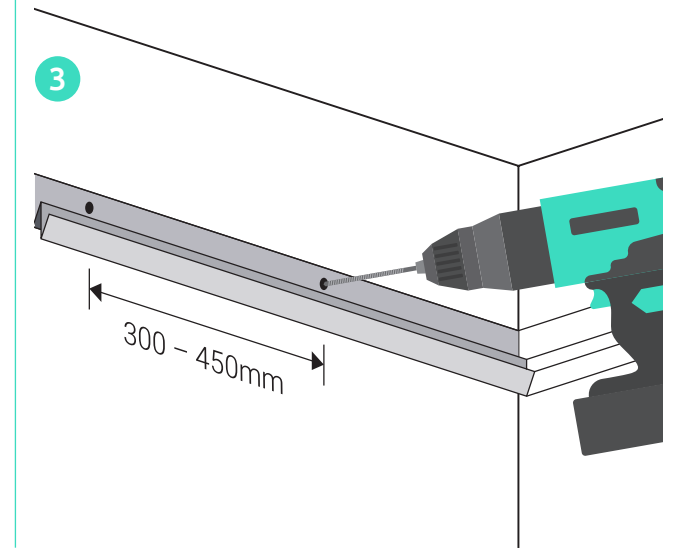
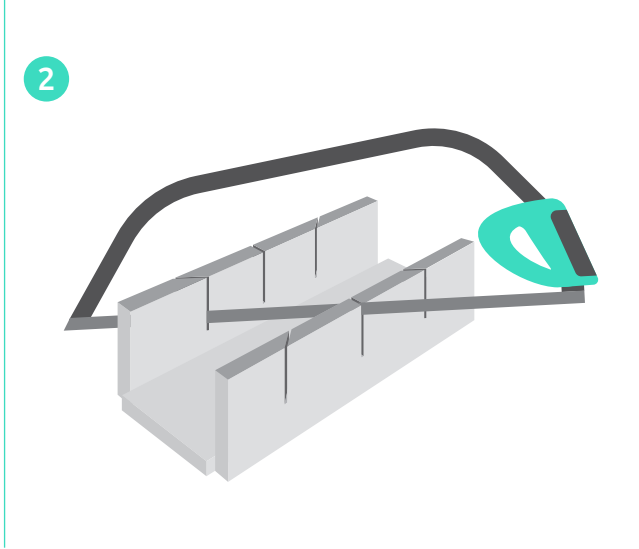
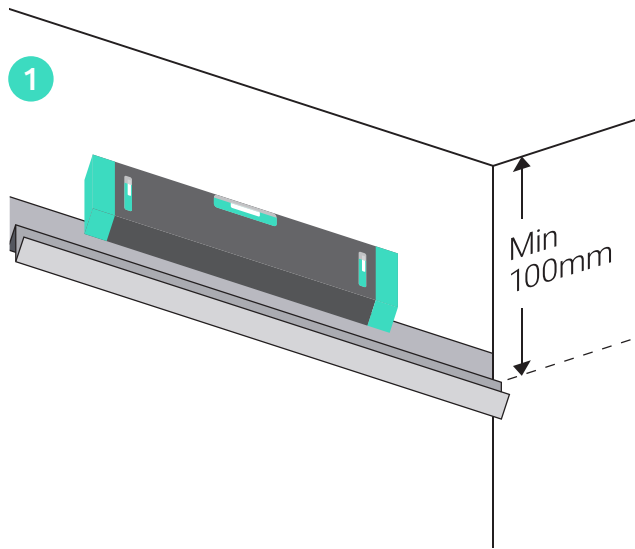
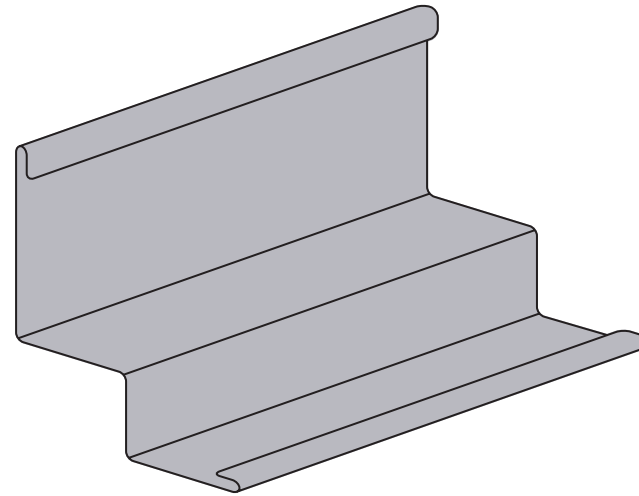
3.1



*Fixing centres may vary with tile weight and national code of practice, please contact ITS on 0800 371 849

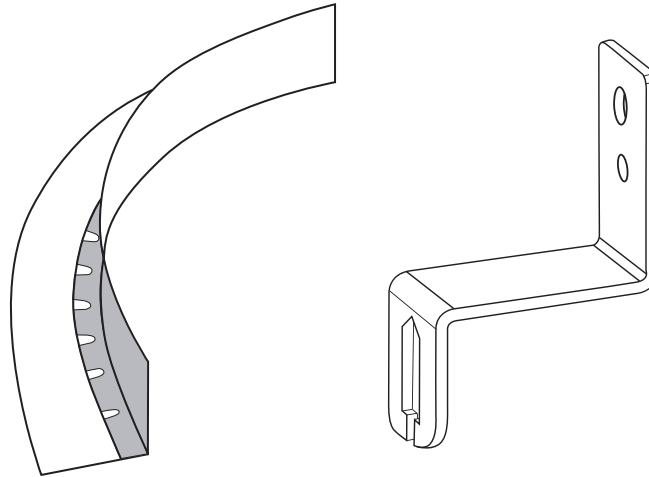
Shadowline installation

3.2

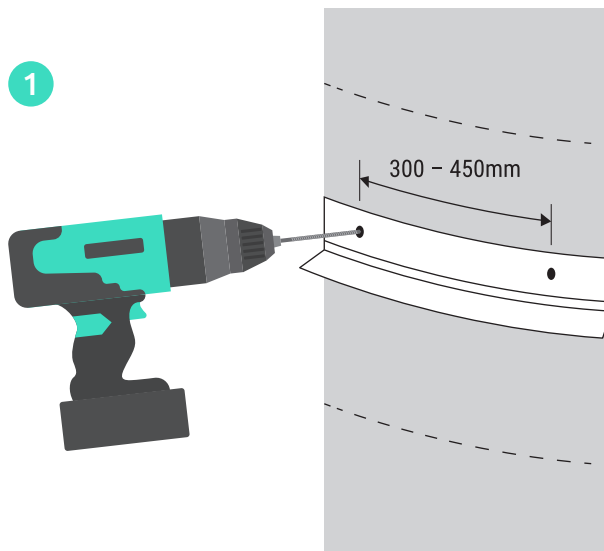


*Fixing centres may vary with tile weight and national code of practice, please contact ITS on 0800 371 849

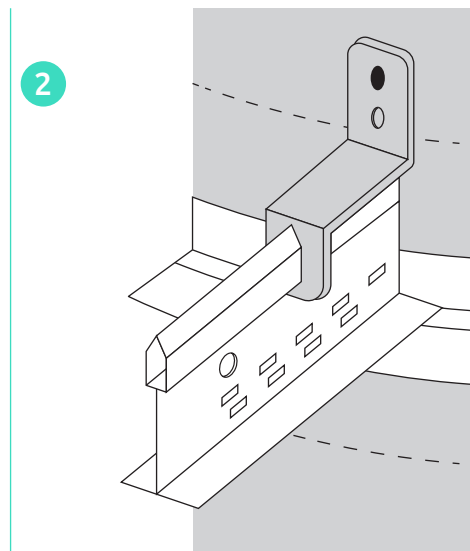
Flexible perimeter trim installation



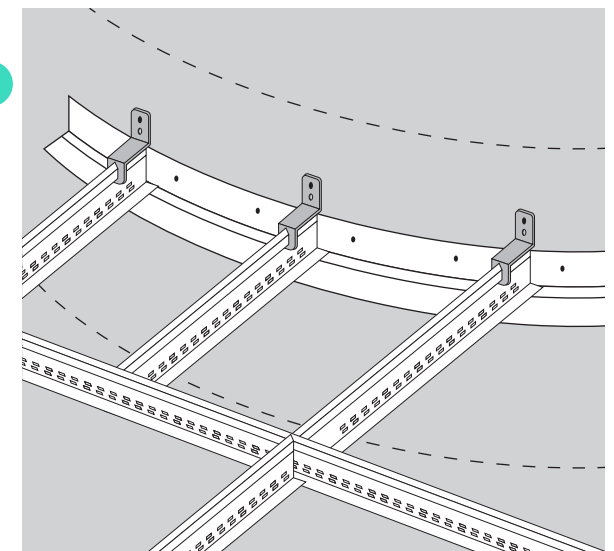
1



2



3



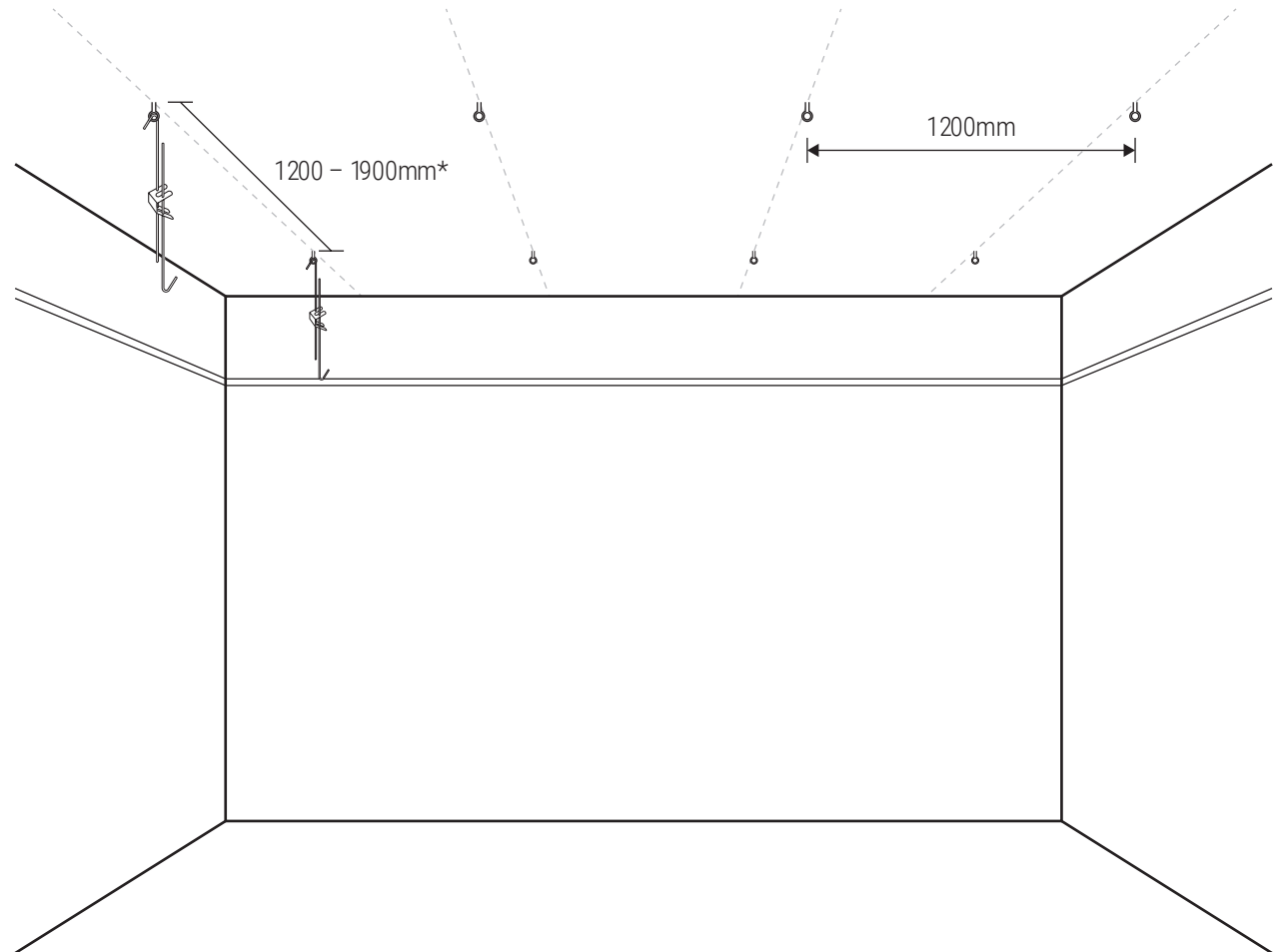
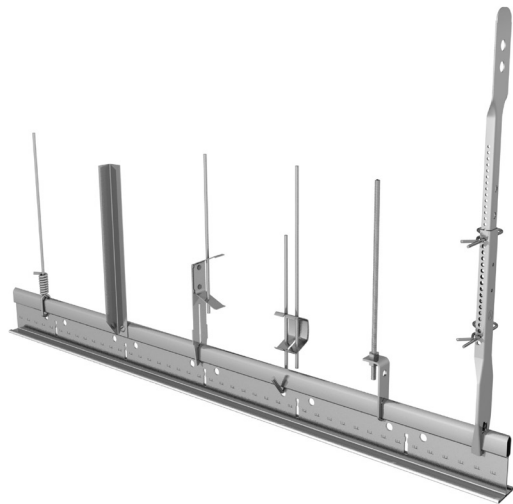
*Tighter radii will require smaller fixing centres. First fixings max. 50mm from ends of trim

4 Top fixings & hangers



Prelude 24 TLS / XL² installation

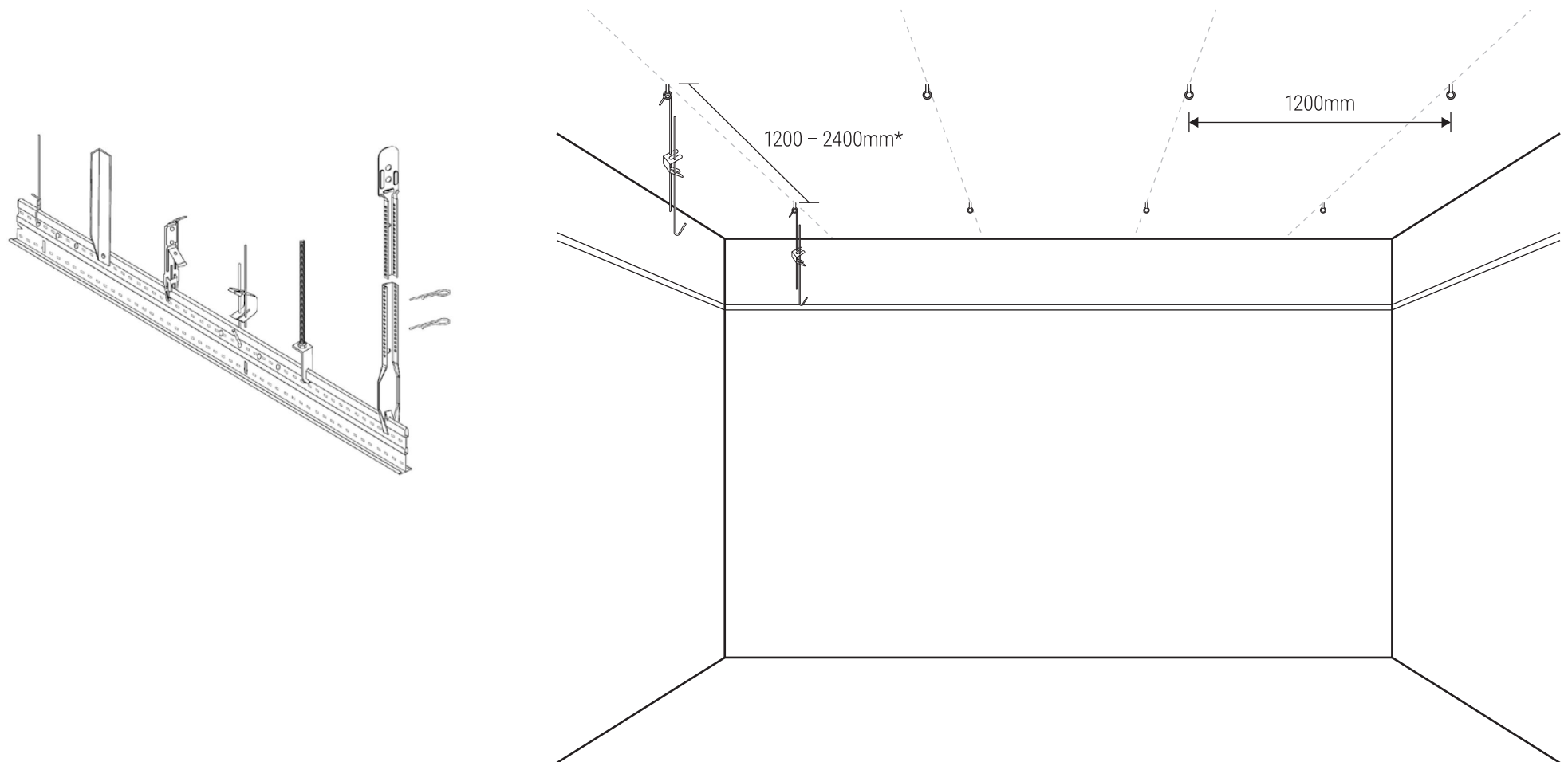
4.1



*Hanger and Main Runner centres can vary depending on the tile weight and national code of practice. Please contact ITS on 0800 371 849

Prelude Sixty² installation

4.2



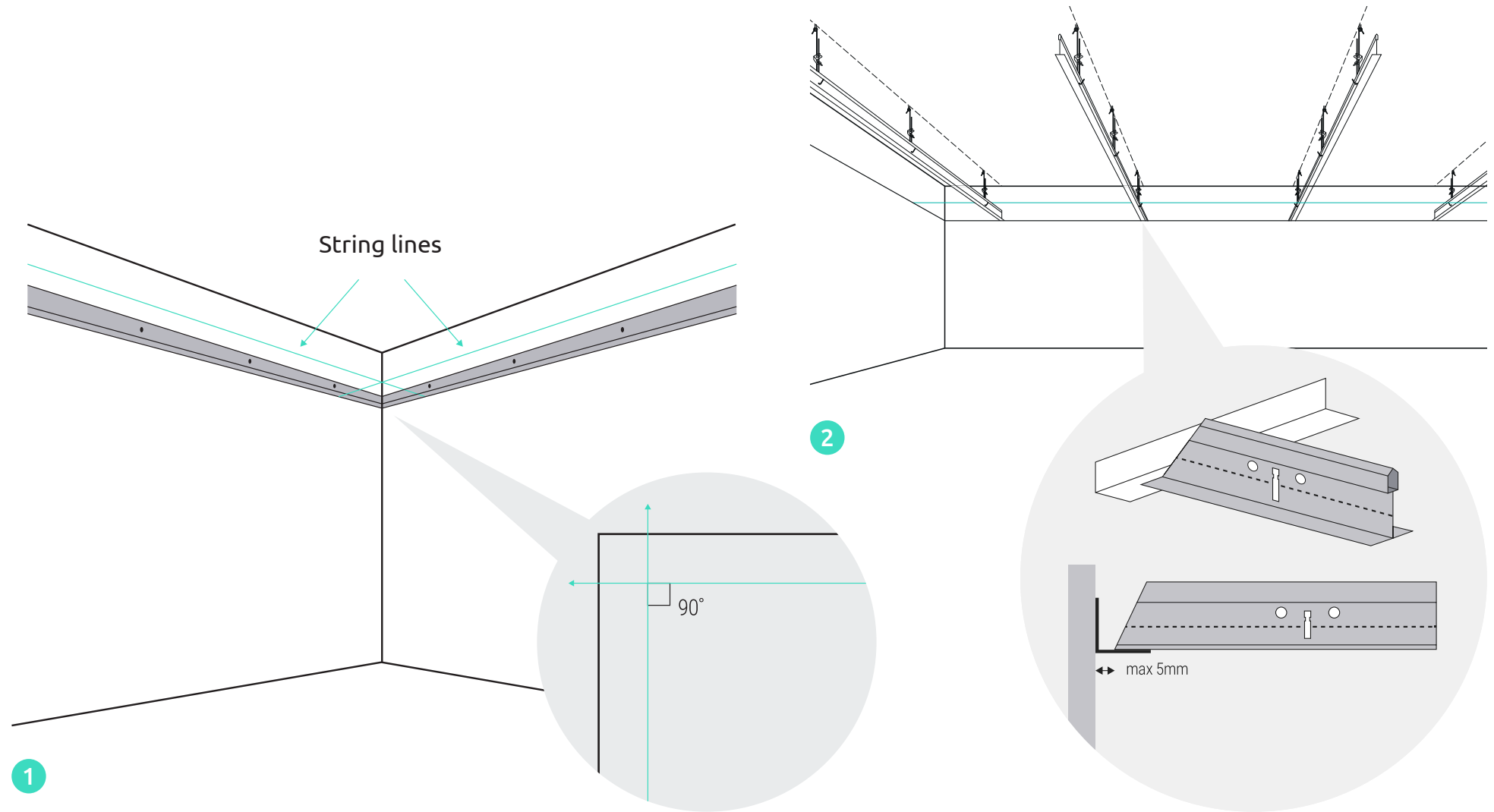
*Hanger and Main Runner centres can vary depending on the tile weight and national code of practice. Please contact ITS on 0800 371 849

5 Main Runner installation

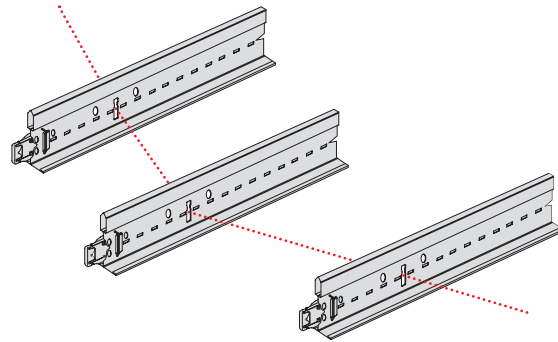


First Main Runner location

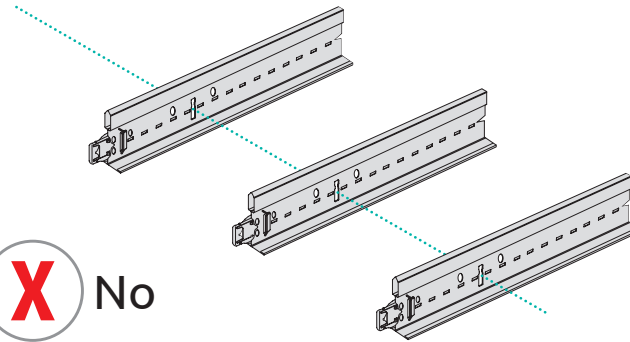
5.1



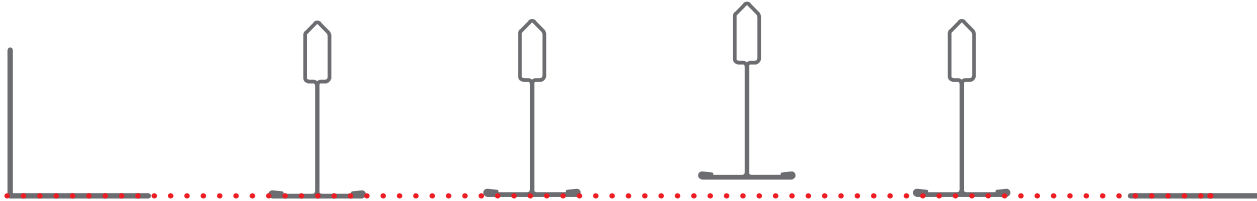
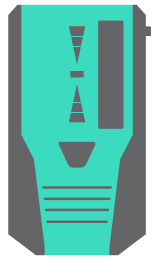
Main Runner alignment



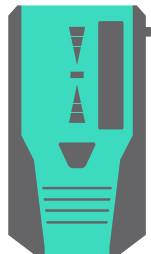
X No



✓ Yes



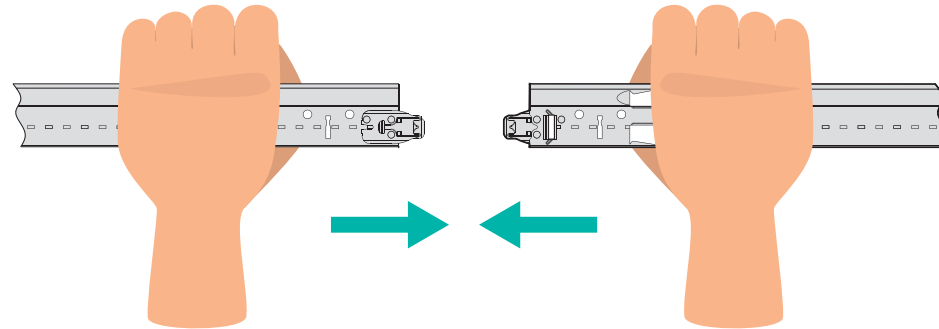
X No



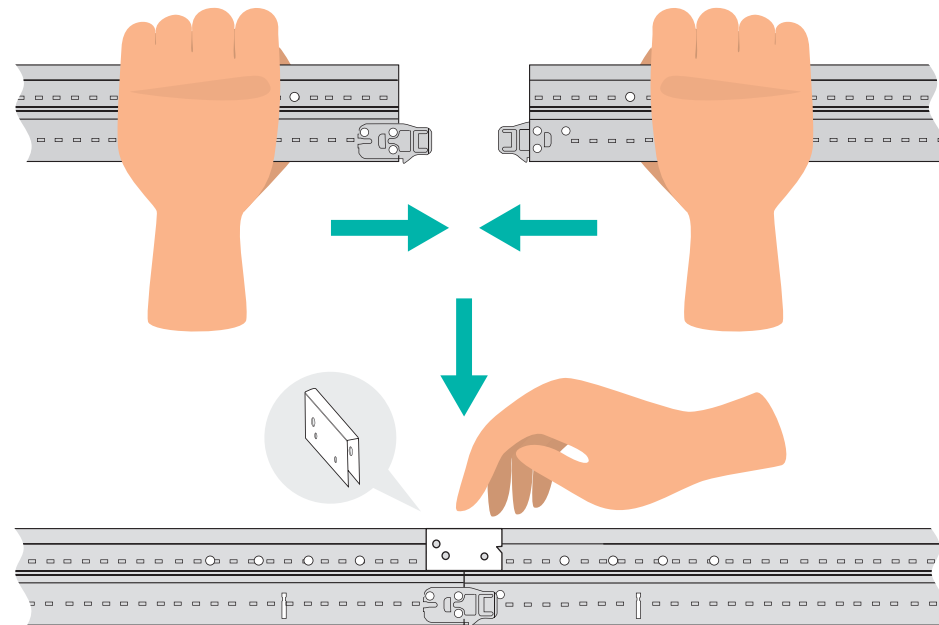
✓ Yes

Joining Main Runners

1 Prelude 24 TLS / XL²



2 Prelude Sixty2

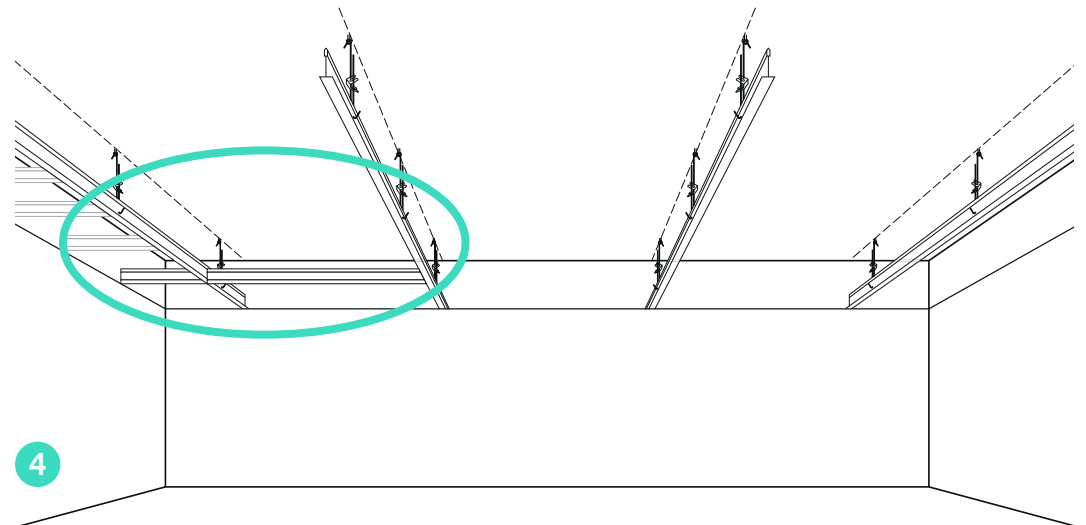
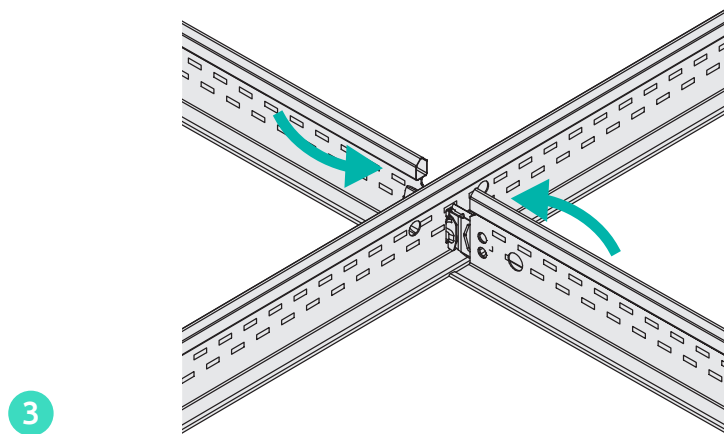
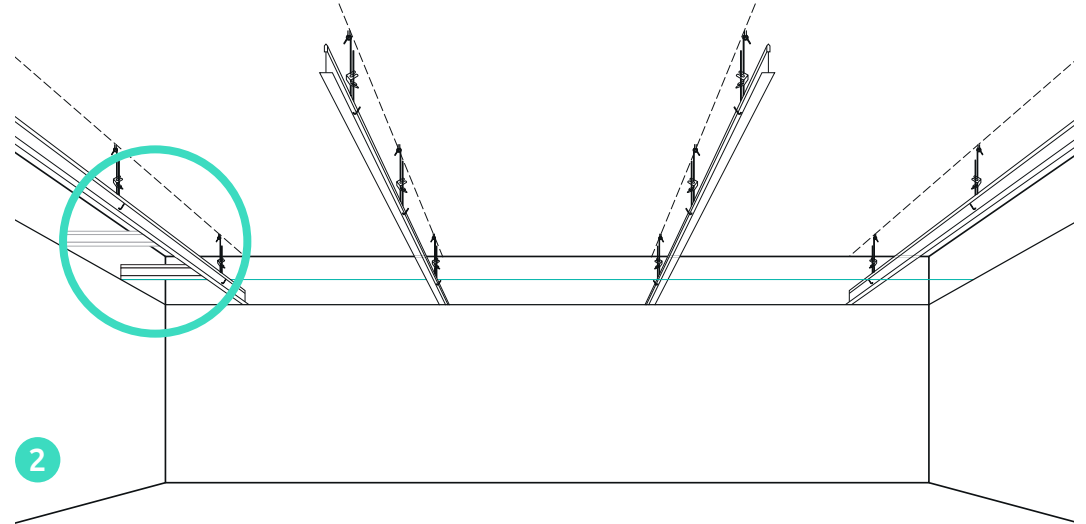
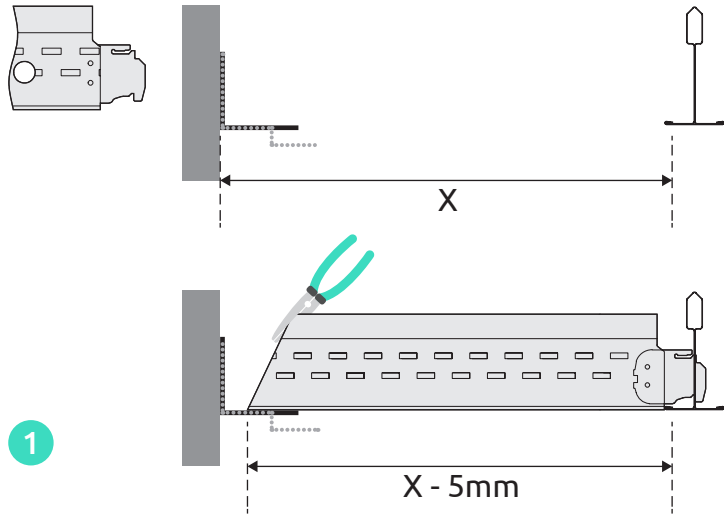
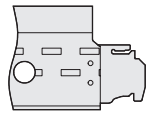


6 Cross Tee installation



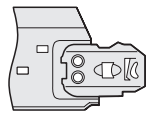
TLS

6.1

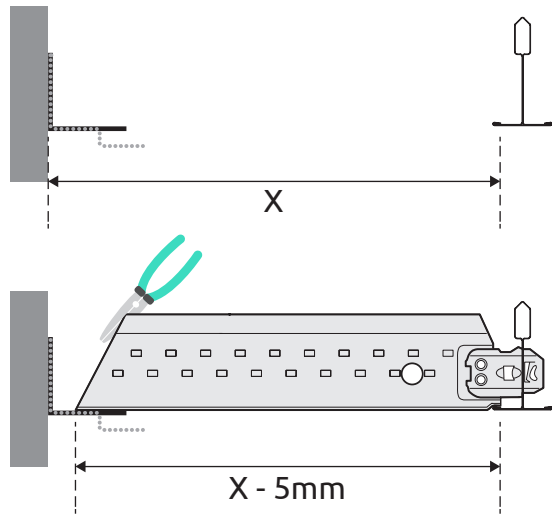


XL²

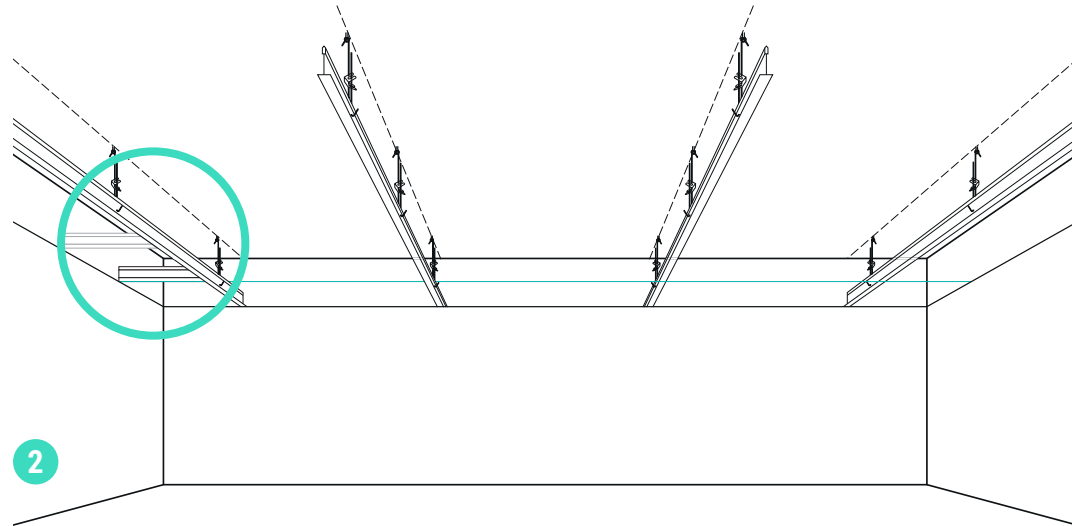
6.2



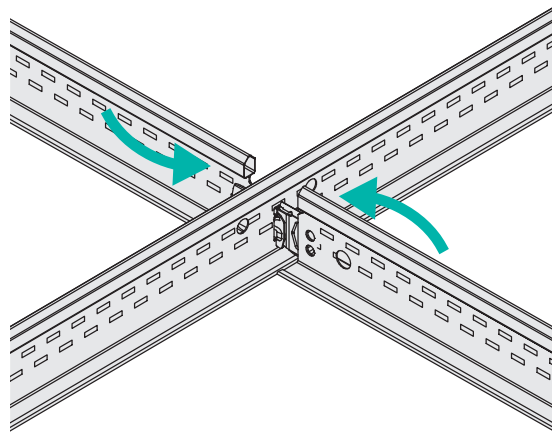
1



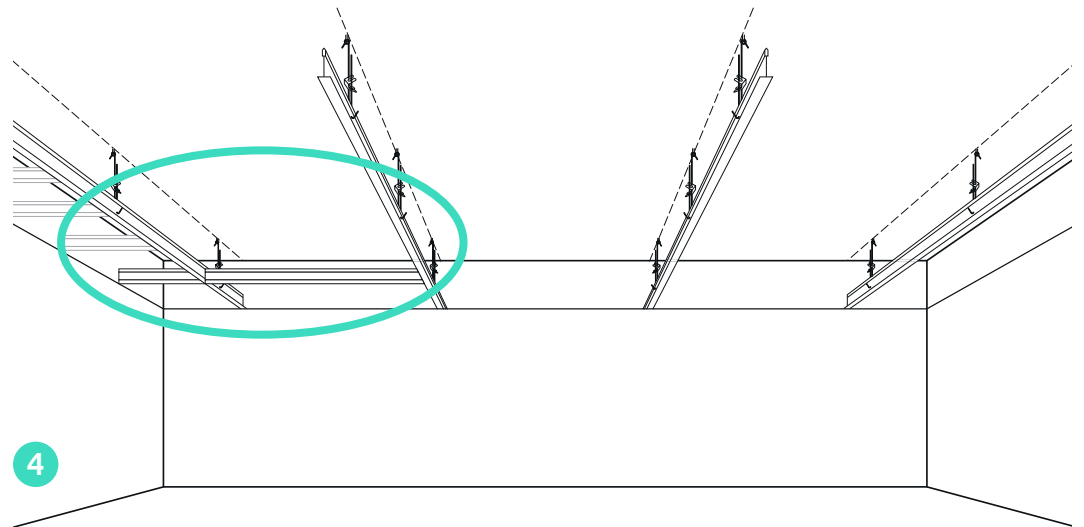
2



3



4

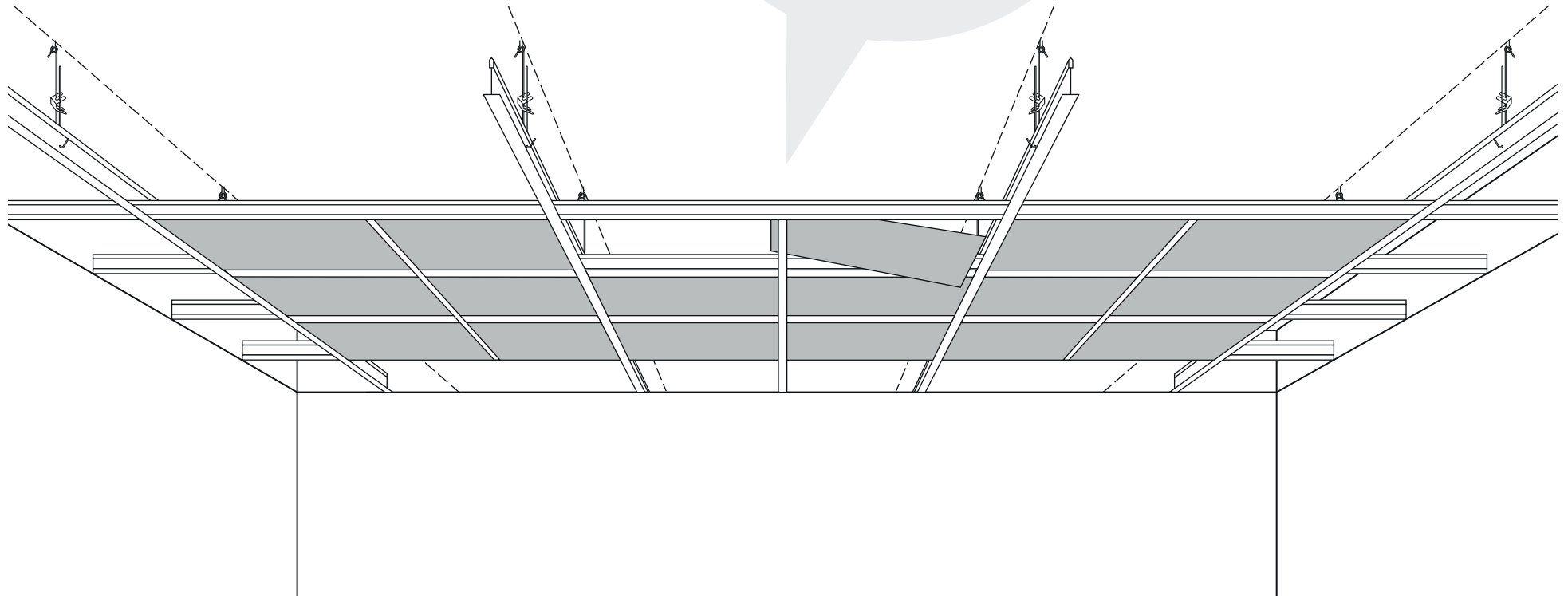
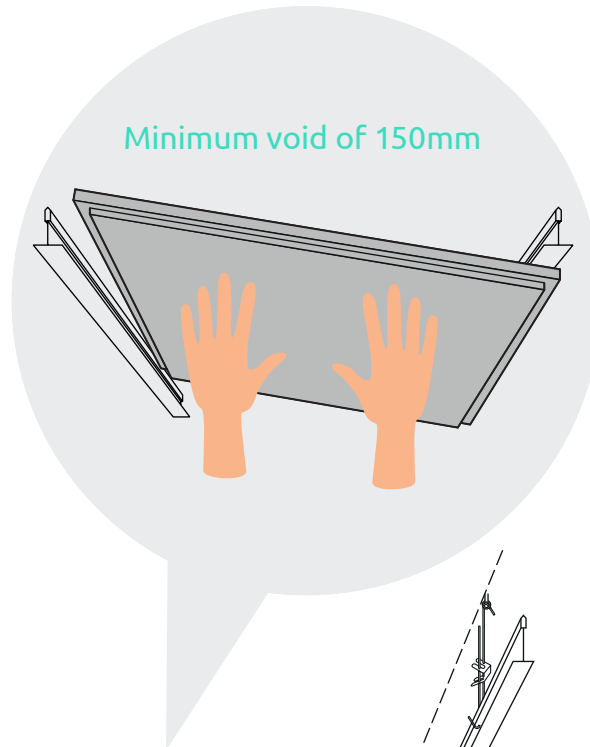
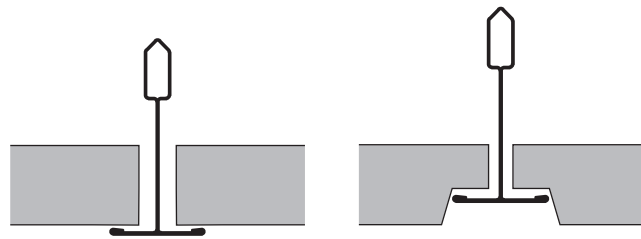


7 Full size tile installation



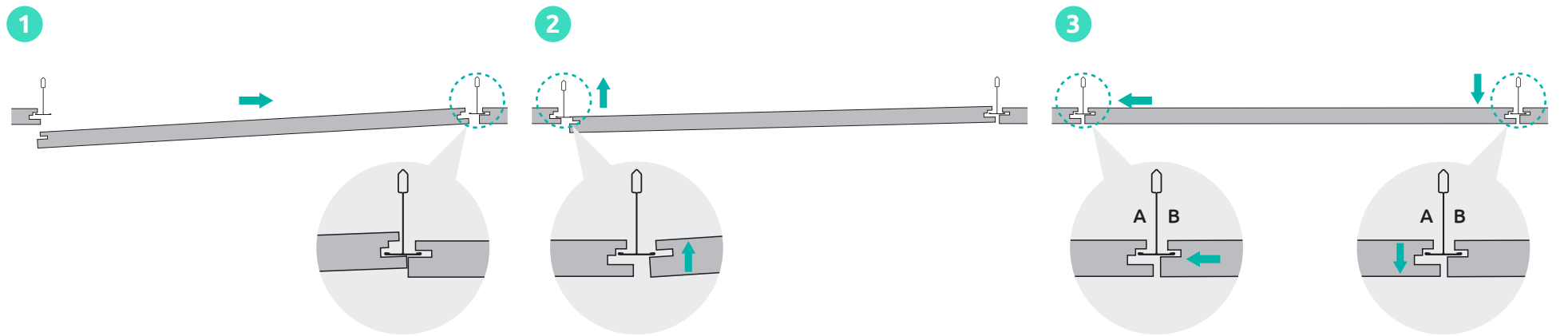
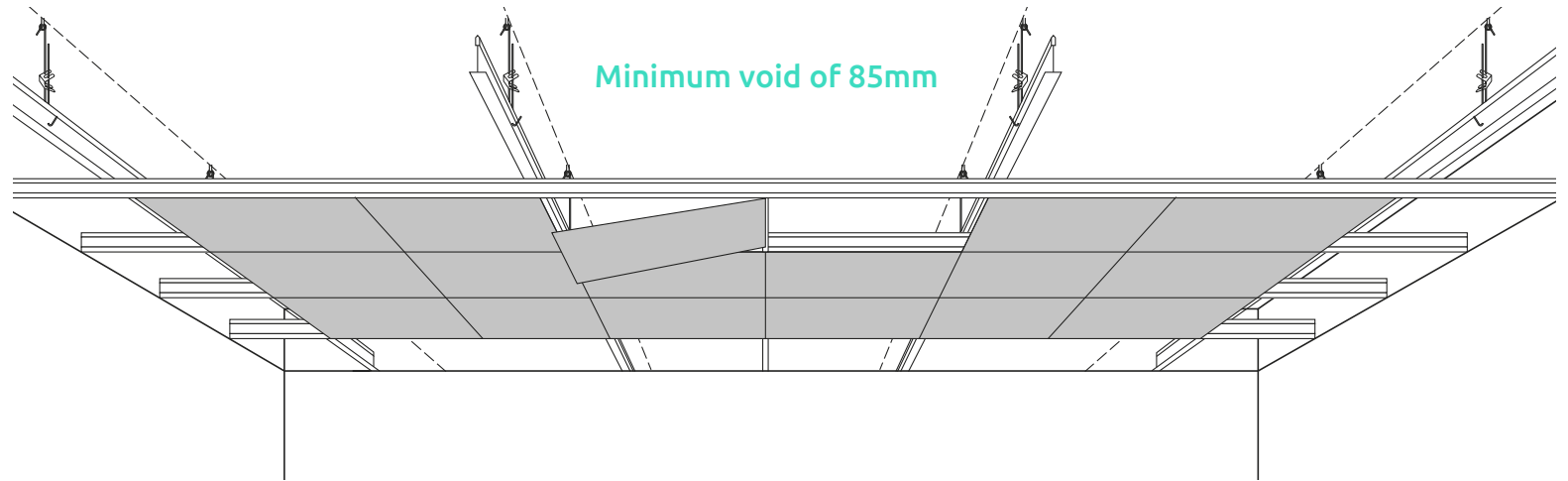
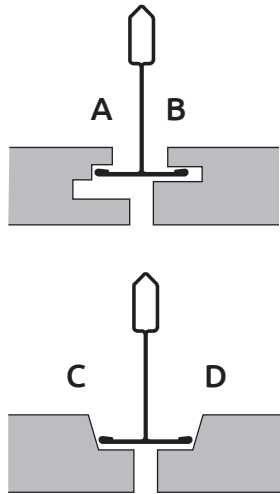
Board / Tegular installation

7.1



Vector installation

7.2



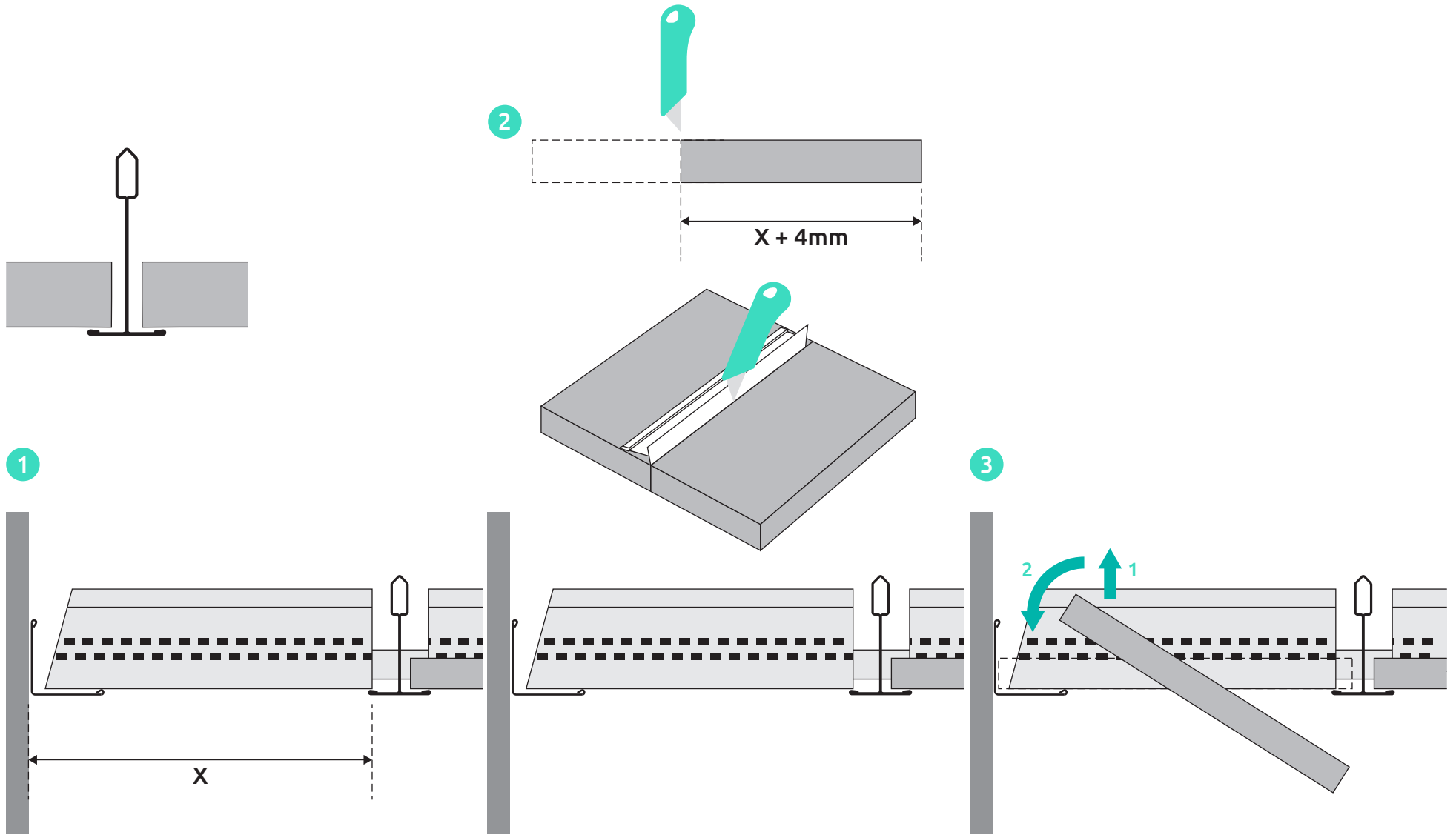
*All the tiles must be installed in the same direction

8 Cut tile installation



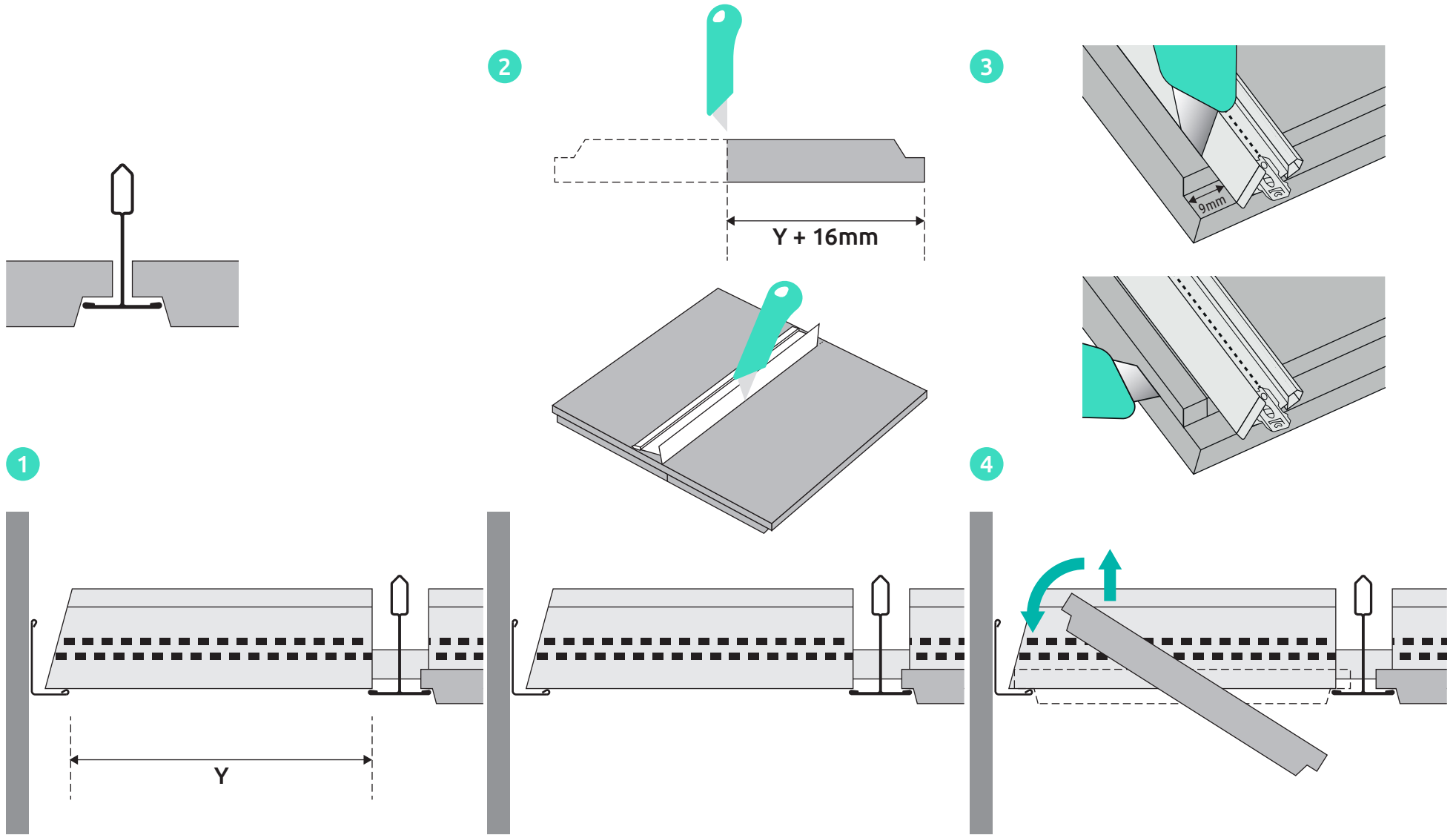
Board

8.1



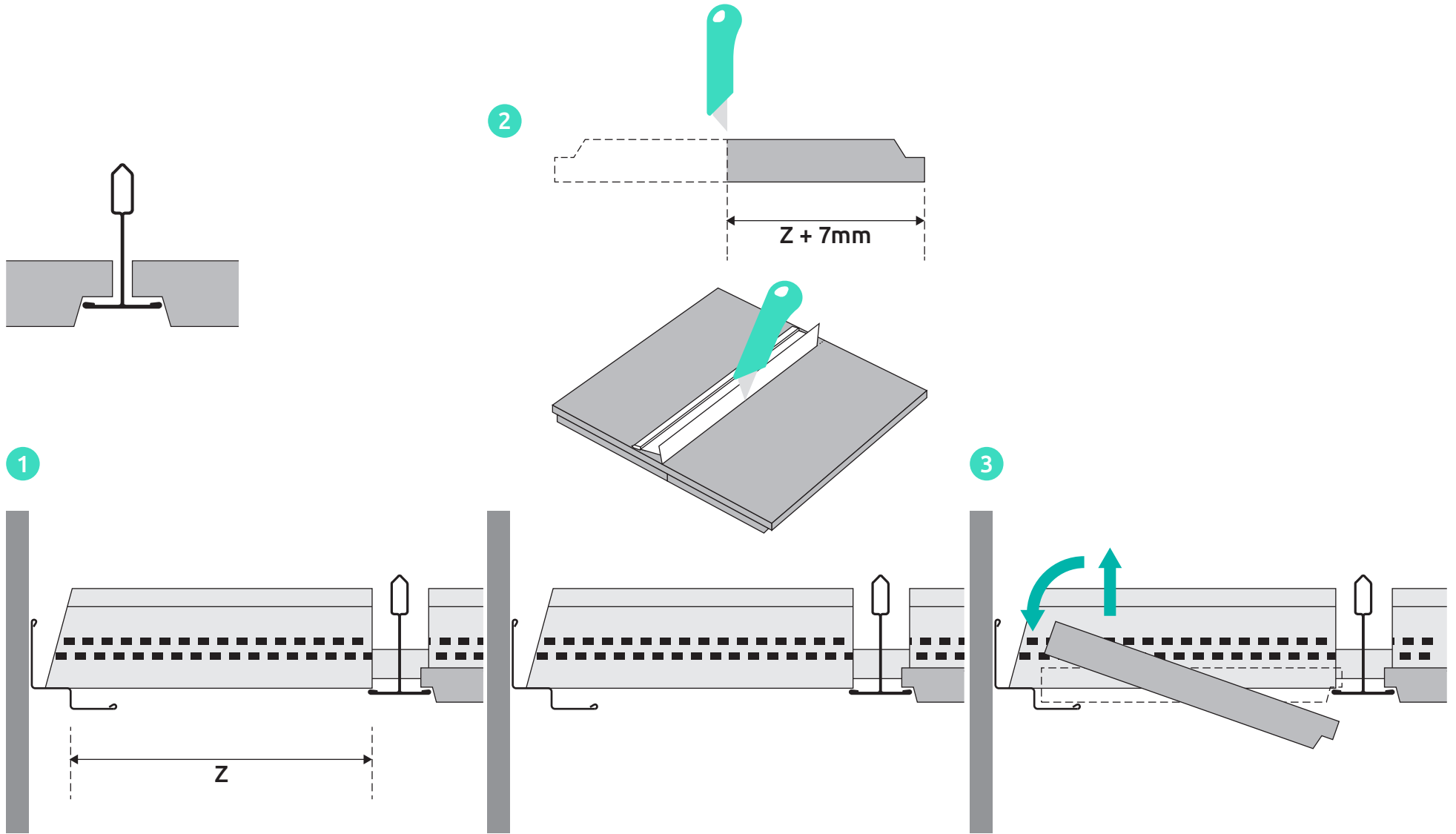
Tegular with angle trim

8.2

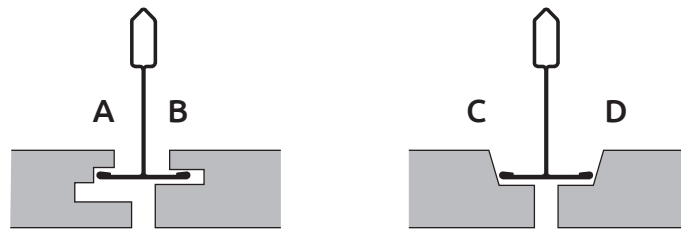


Tegular with shadowline

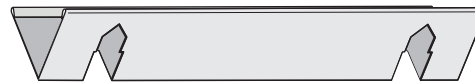
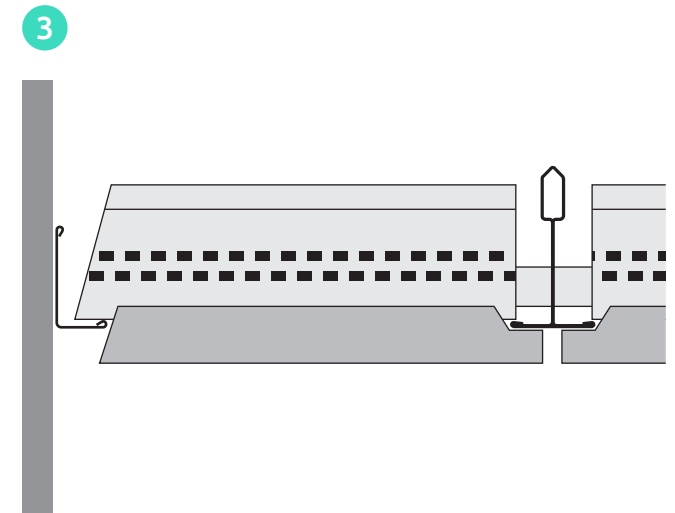
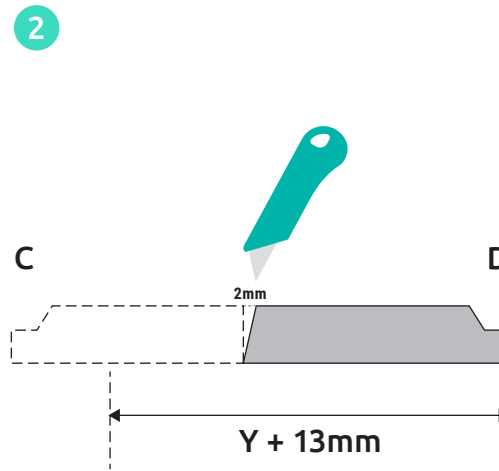
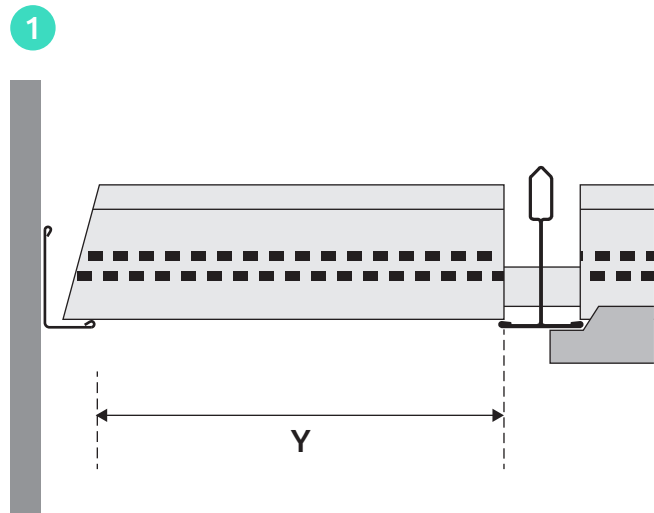
8.3



Vector with angle trim

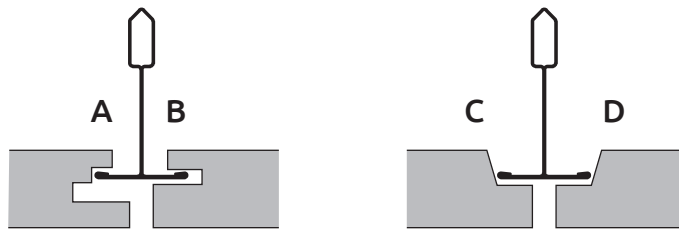


Use Vector Border Clips for corner tiles

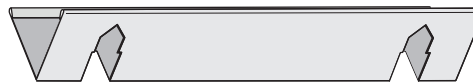
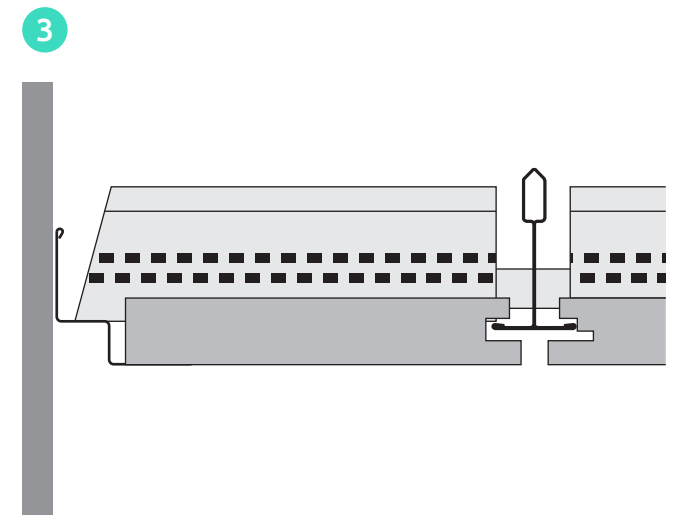
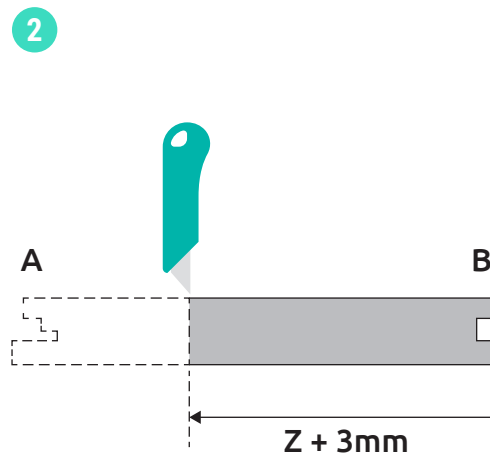
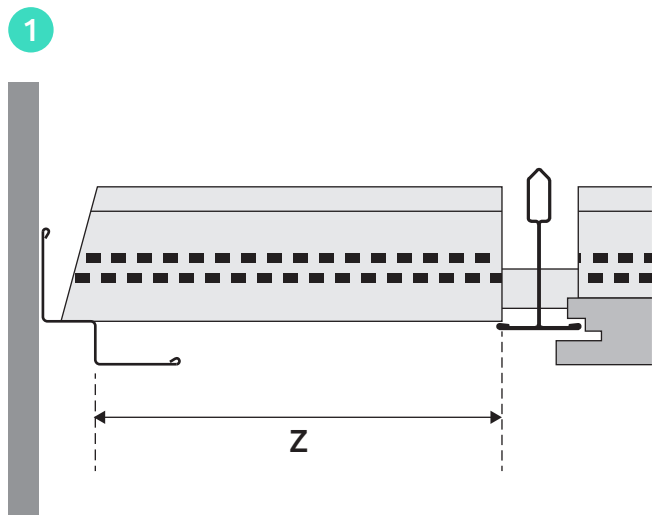


*Spacer bars are recommended at the perimeters of all installations to maintain proper tile alignment

Vector with shadowline



Where cut tiles are resting on the trim, border wedges may be necessary to maintain correct alignment



*Spacer bars are recommended at the perimeters of all installations to maintain proper tile alignment