

Conceal

Installation Guide



Conceal Installation Guide

List of Components	3
Quantity Calculator	4
Define Tile Layout	5
// 600 x 600mm	6
// 1200 x 600mm	7
Install Perimeter Trims	8
Install Hangers & Main Runners	
// 600 x 600mm	9
// 1200 x 600mm	10
Cutting & Alignment of Main Runners	11
Install Cross Tees	
// 600 x 600mm	12
// 1200 x 600mm	12
Install Spacer Bars	
// 600 x 600mm	13
// 1200 x 600mm	14
Tile Installation (600 x 600mm)	15
Construction Sequence (600 x 600mm)	16
Tile Installation (1200 x 600mm)	17
Construction Sequence (1200 x 600mm)	18
Guide to Cutting Tiles	19 / 20 / 21

03 List of components

Conceal tiles are available with the Prestige finish in 600 x 600mm and 1200 x 600mm modules.

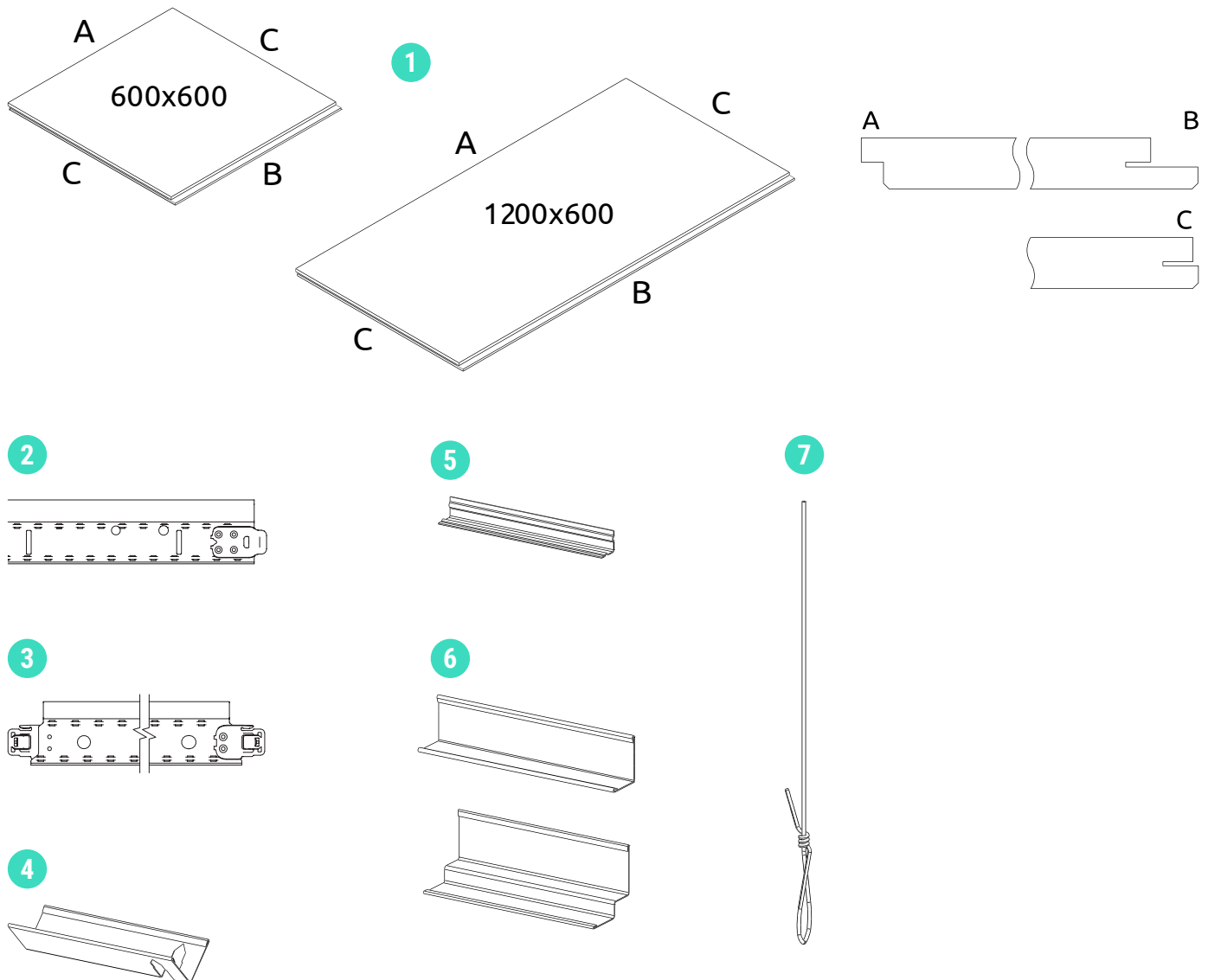
Conceal tiles provide a concealed but accessible ceiling system using System Z – L-Bar grid.

Tiles are supported using Prelude 24 Main Runners and Cross Tees / L-Bars are used to support the 'C' edges.

The squareness and stability of the grid system is particularly important for a 'successful' installation of the Zentia Conceal system.

List of components:

1	7715M	Prestige Conceal 600 x 600mm
	7716M	Prestige Conceal 1200 x 600mm
2	MR243600	Gridline 24 Main Runner
3	XTB24600	Gridline 24 Butt Cut Cross Tee
4	C 180 L 600	Spacer Bar
5	CT 700	L-Bar
6	T 1924	Perimeter Angle
	T 1508	Shadowline Trim
7	A W950	Suspension Wire



All measurements in millimetres. All dimensions are nominal.

04 Quantity calculator

Tiles	Main Runner Centres	Hanger Centres	QUANTITIES REQUIRED PER 1M ² (NO WASTE INCLUDED)				
			Main Runners	Cross Tee 600mm	L-Bar 600mm	Space Bar 600mm	Hanger
600 x 600mm 2.78 pcs	600mm	1500mm	1.67 lm	0.34 lm	4.45 pcs	0.34 lm	1.12 pcs
1200 x 60mm 1.39 pcs	600mm	1200mm	1.67 lm	0.28 lm	1.86 pcs	0.56 lm	1.39 pcs

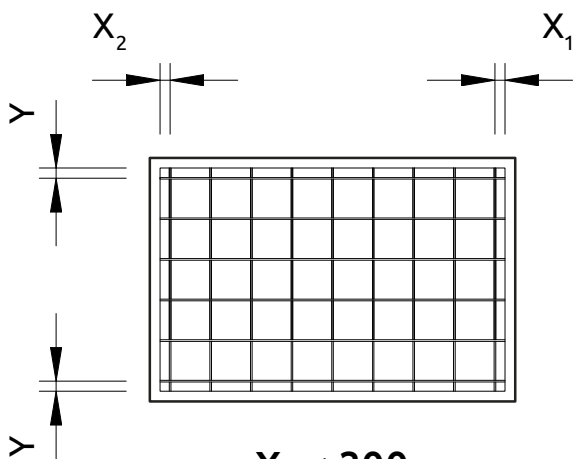
Perimeter trim approx. 0.70 lm/m²

These quantities are for general guidance only and will vary slightly based on room dimensions and layout.

05 Define tile layout

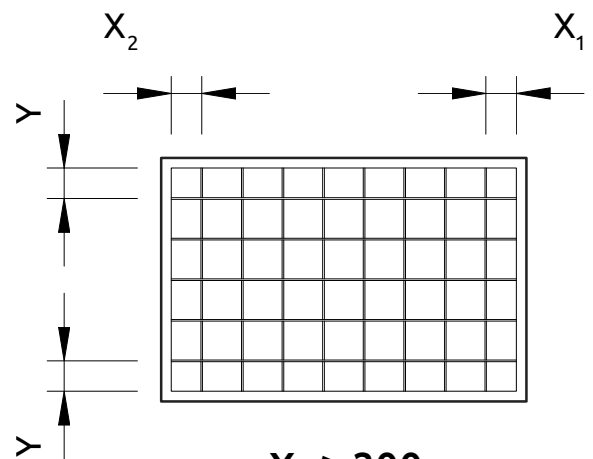
- // Equal cuts on opposite sides
- // Perimeter cut tiles \geq half module

600x600



$$\begin{aligned} X_2 &< 300 \\ Y &< 300 \end{aligned}$$

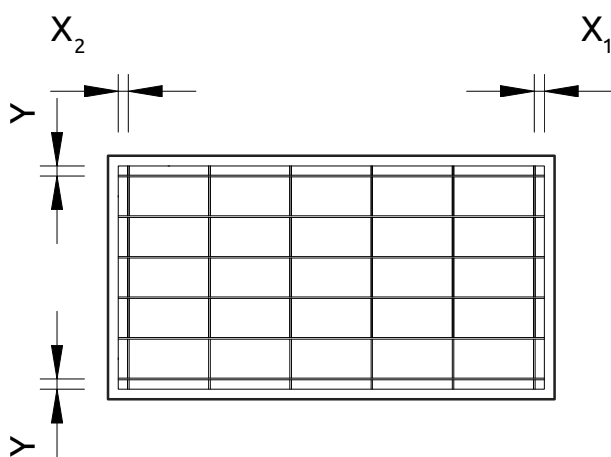
X



$$\begin{aligned} X_2 &\geq 300 \\ Y &\geq 300 \end{aligned}$$

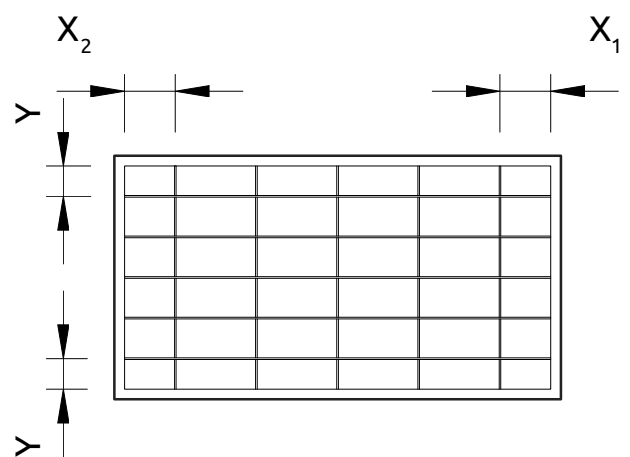
✓

1200x600



$$\begin{aligned} X_2 &< 600 \\ Y &< 300 \end{aligned}$$

X



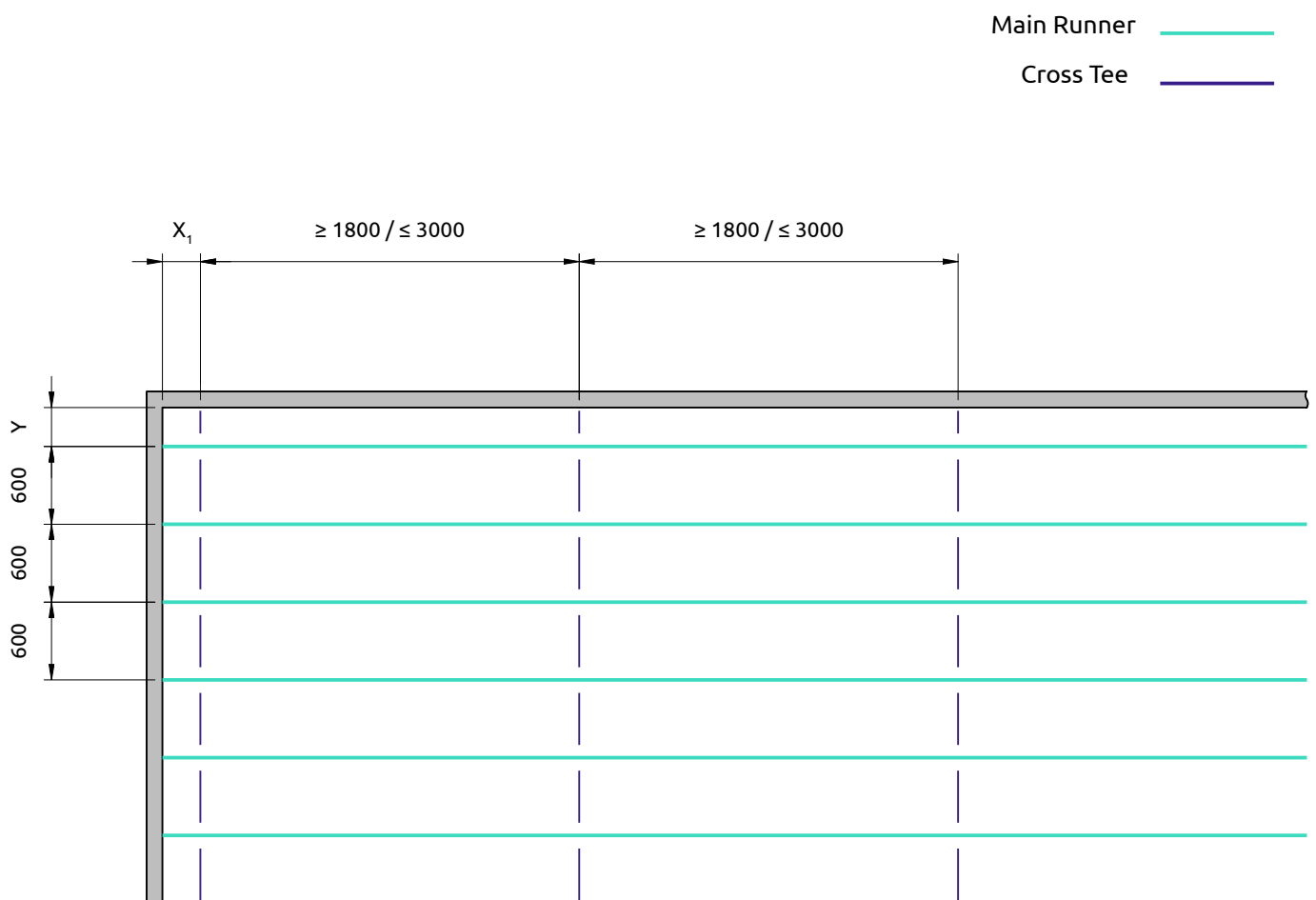
$$\begin{aligned} X_2 &\geq 600 \\ Y &\geq 300 \end{aligned}$$

✓

06 Define grid layout

600 x 600mm

- // Main Runner parallel to length of room recommended
- // Cross Tee between cut tile & first full tile
- // Cross Tees recommended at 3000mm centres (min. 1800mm centres)
- // L-Bar required where Cross Tee not installed



Note:

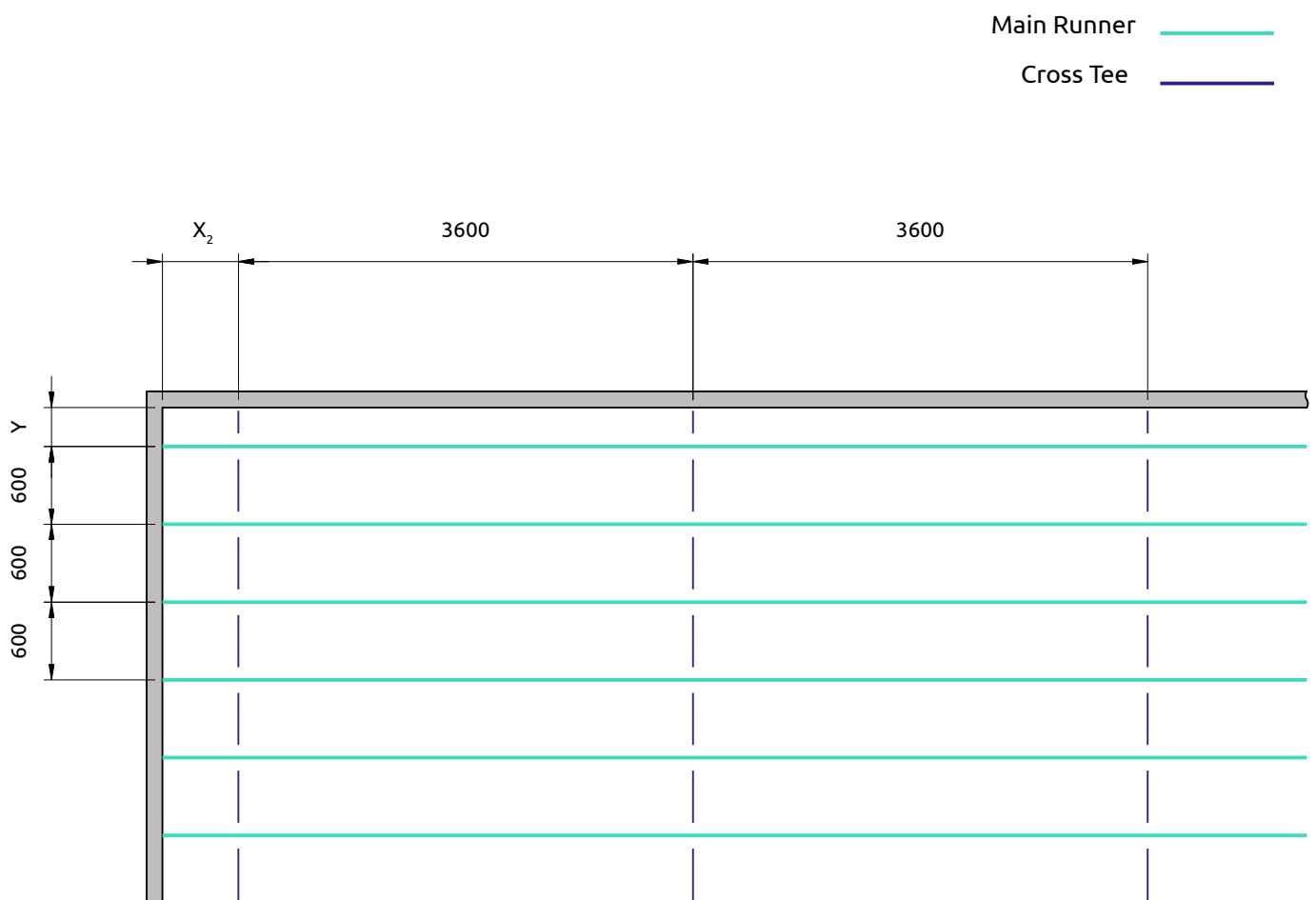
3000mm is recommended for maximum tile accessibility.

Spacer Bars will also be used to maintain Main Runner alignment between Cross Tees.

07 Define grid layout

1200 x 600mm

- // Main Runner parallel to length of room recommended
- // Cross Tee between cut tile & first full tile
- // Cross Tees recommended at 3600mm centres
- // L-Bar required where Cross Tee not installed

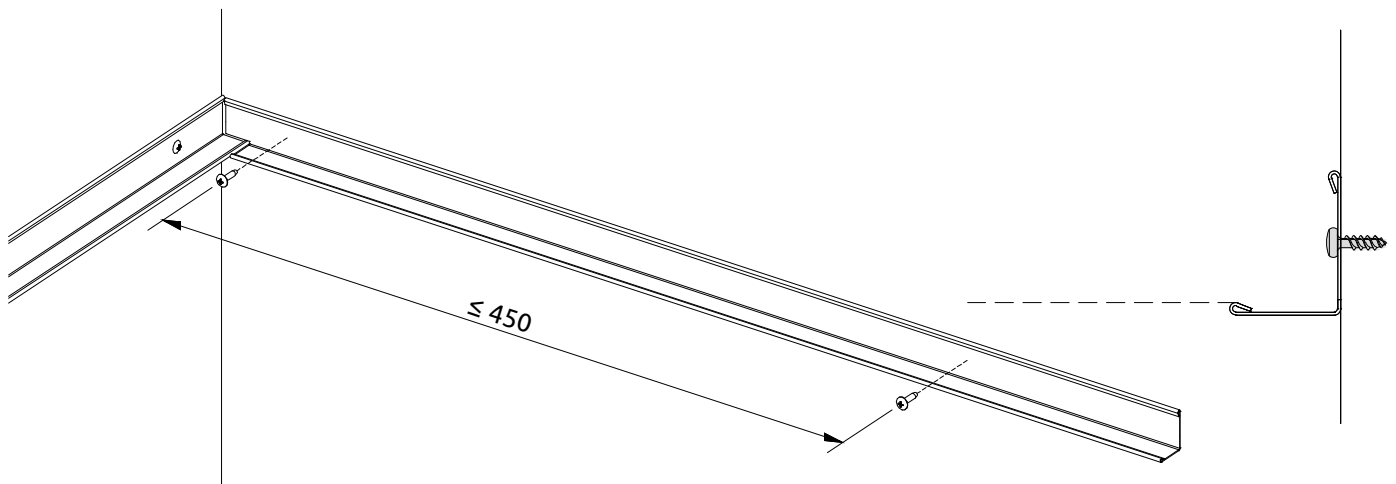
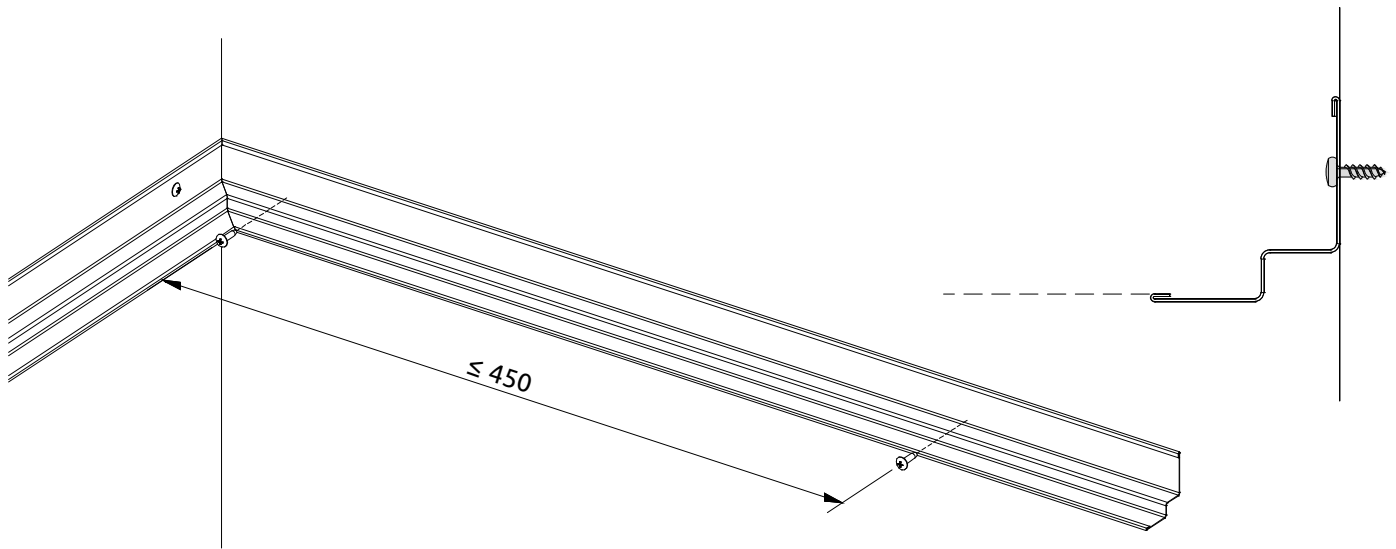


Note:

A minimum of 3600mm between Cross Tees is necessary to ensure tile accessibility. Spacer Bars will also be used to maintain Main Runner alignment between Cross Tees.

08 Install perimeter trims

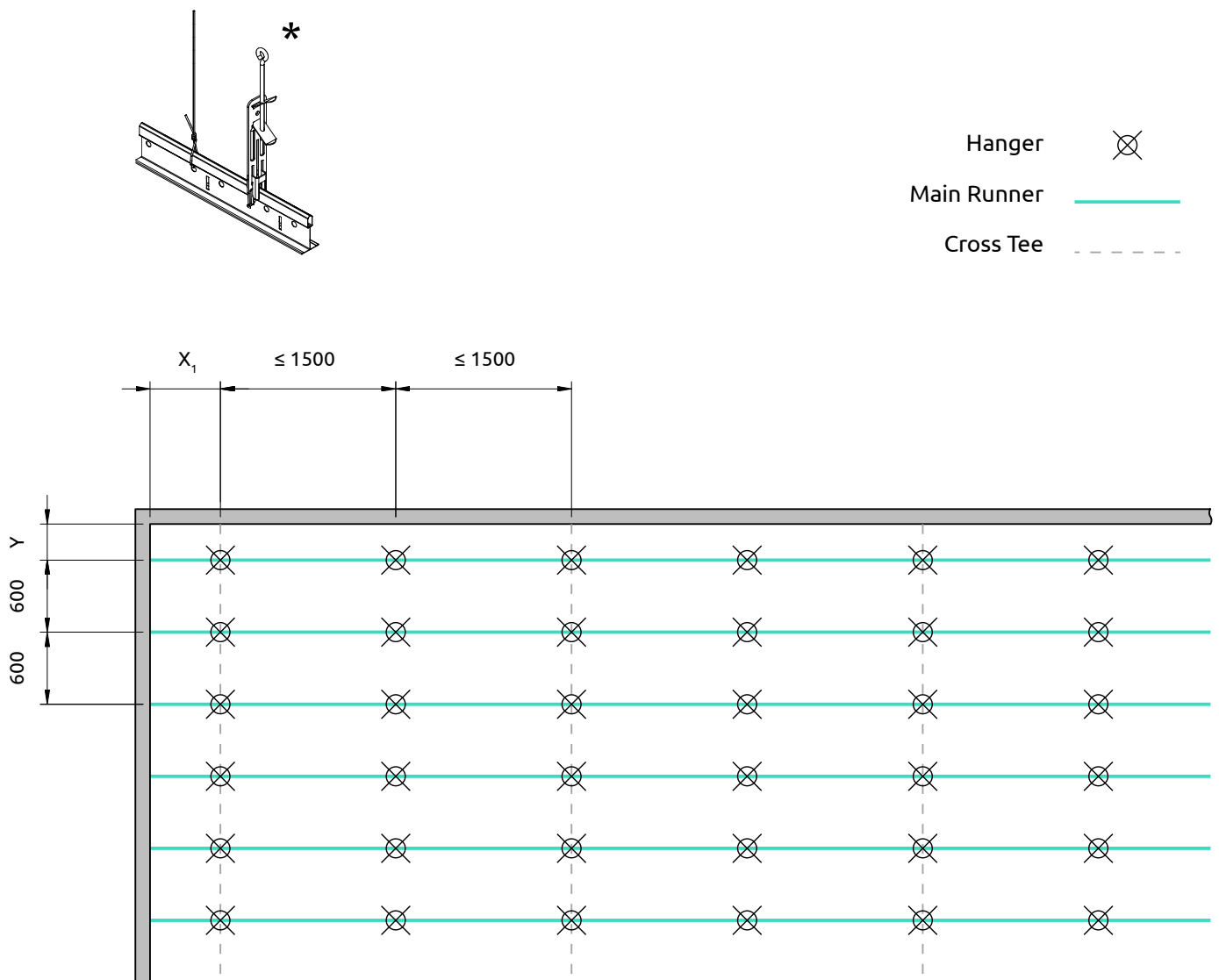
- Shadowline Perimeter Trim is recommended for ease of installation of perimeter tiles
- Minimum plenum depth: **100mm**
- Install Perimeter Trim at finished ceiling level



09 Install hangers & main runners

600 x 600mm modules

- Install Hangers at ≤ 1500 mm centres
- Hangers should be installed next to Cross Tee positions and centrally between Cross Tees



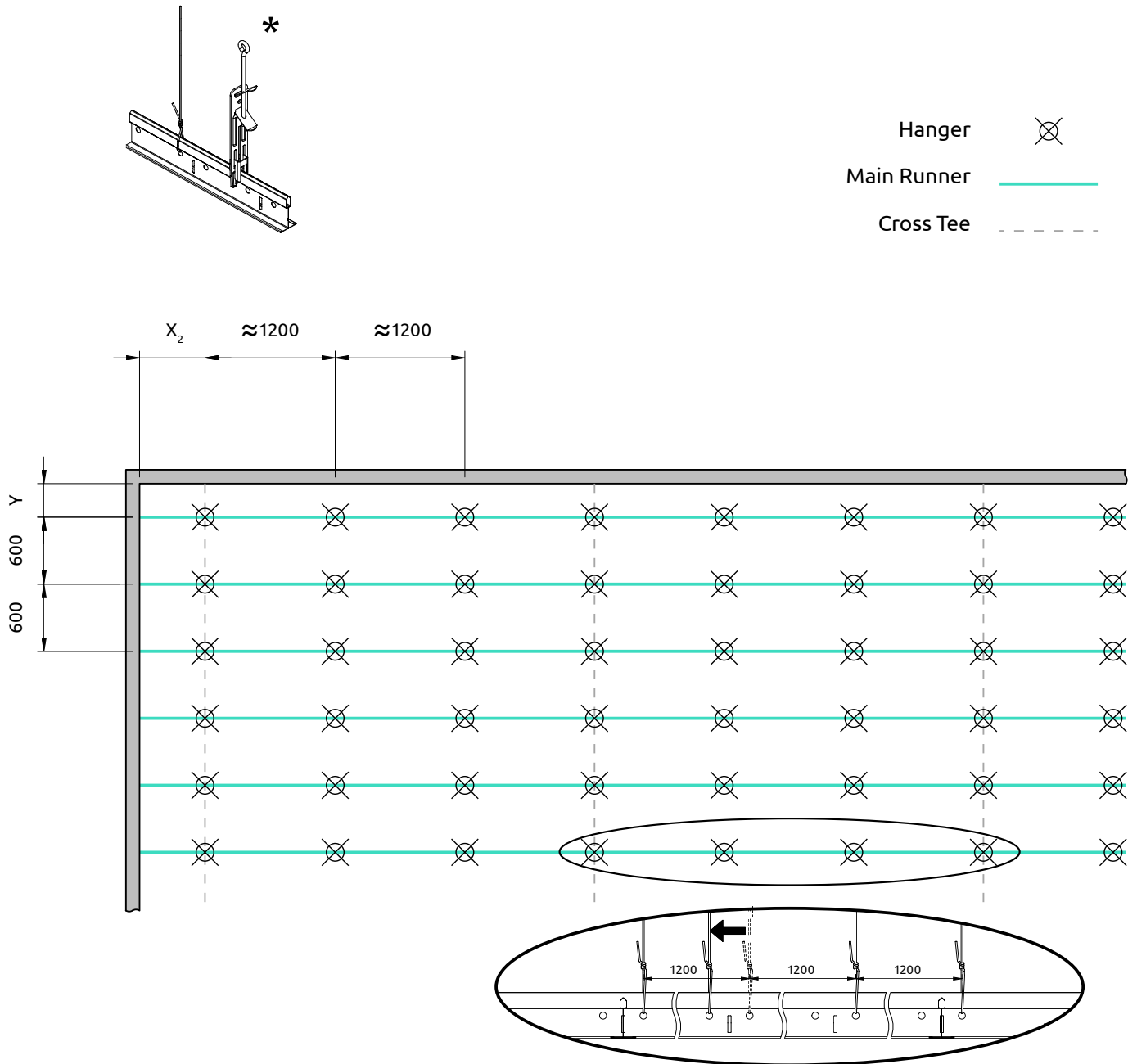
***Recommended Hangers:**

Other Hangers may be used, It is important that the selected Hangers do not interfere with the tile installation or removal. Check national codes of practice for permitted Hanger types.

10 Install hangers & main runners

1200 x 600mm modules

- Install Hangers at 1200mm centres
- To allow accessibility, the two Hangers centrally located between Cross Ties should be offset as shown

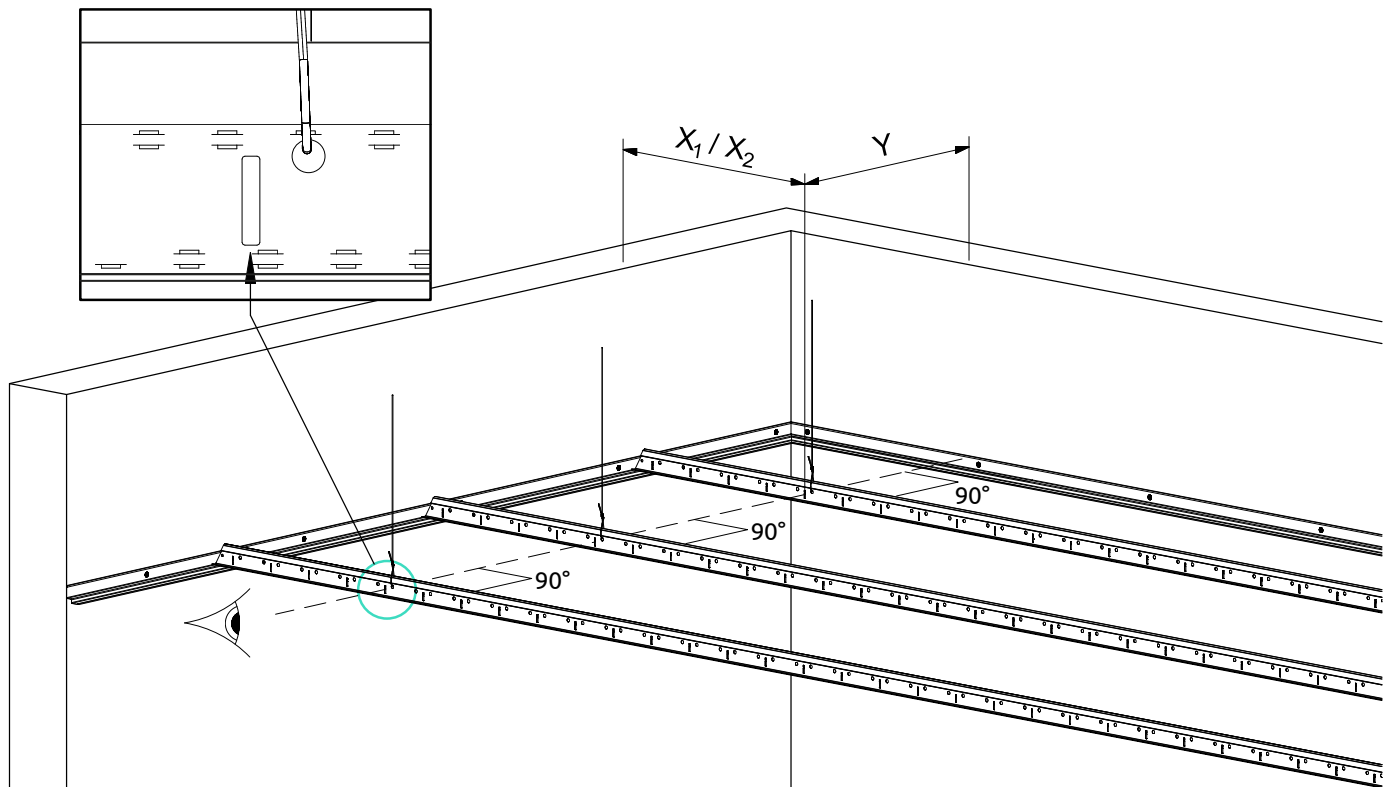
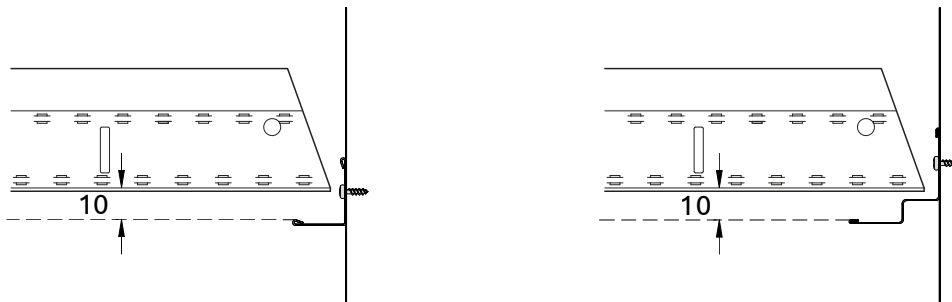
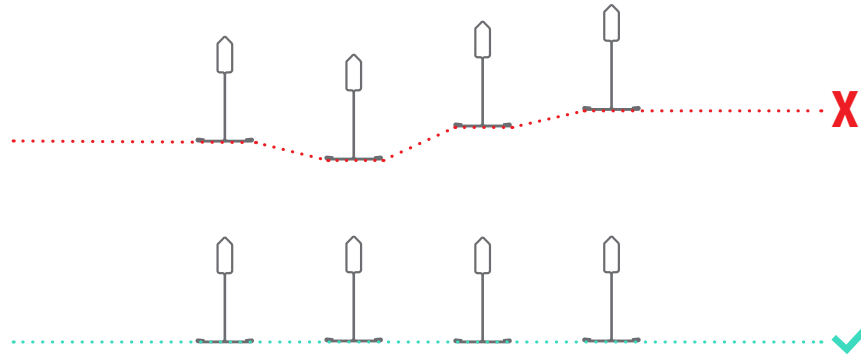


*Recommended Hangers:

Other Hangers may be used, It is important that the selected Hangers do not interfere with the tile installation or removal. Check national codes of practice for permitted Hanger types.

11 Cutting & alignment of Main Runners

- // Main Runners must be level
- // Main Runner height: **10mm** above finished ceiling
- // Main Runner rout holes aligned perpendicular to the length of the Main Runner to ensure squareness of grid and easy installation of the Conceal ceiling tiles



12 Install Cross Tees

Install Cross Tees

- ✔ Cross Tees between cut tile and first full tile

*Install these Cross Tees only once the cut tile is in position

600 x 600mm modules

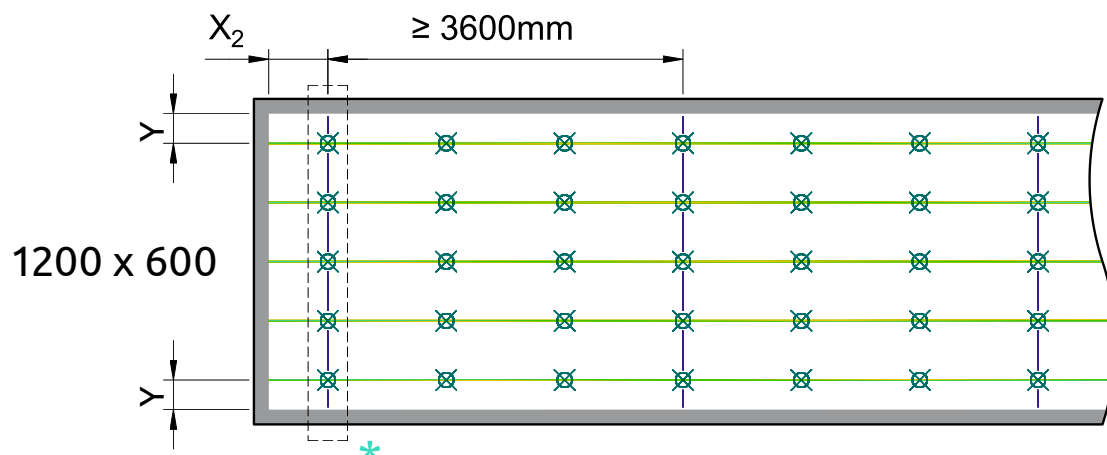
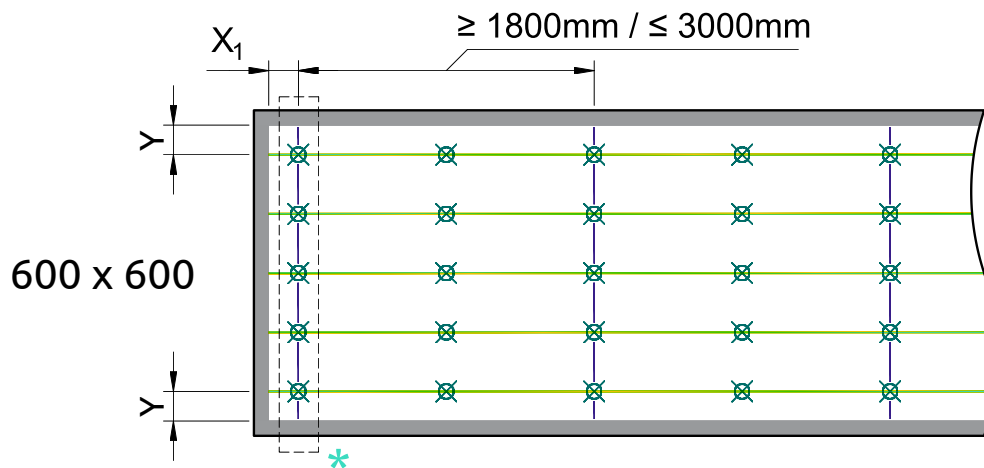
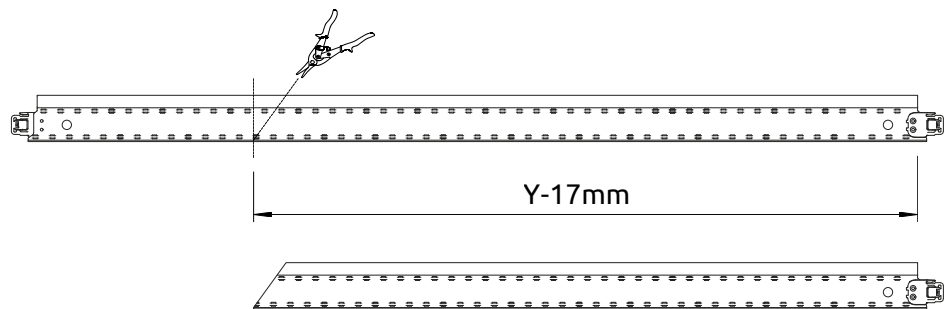
- ✔ Cross Tees recommended at 3000mm centres (min. 1800mm centres)

Note: 3000mm is recommended for maximum tile accessibility

1200 x 600mm modules

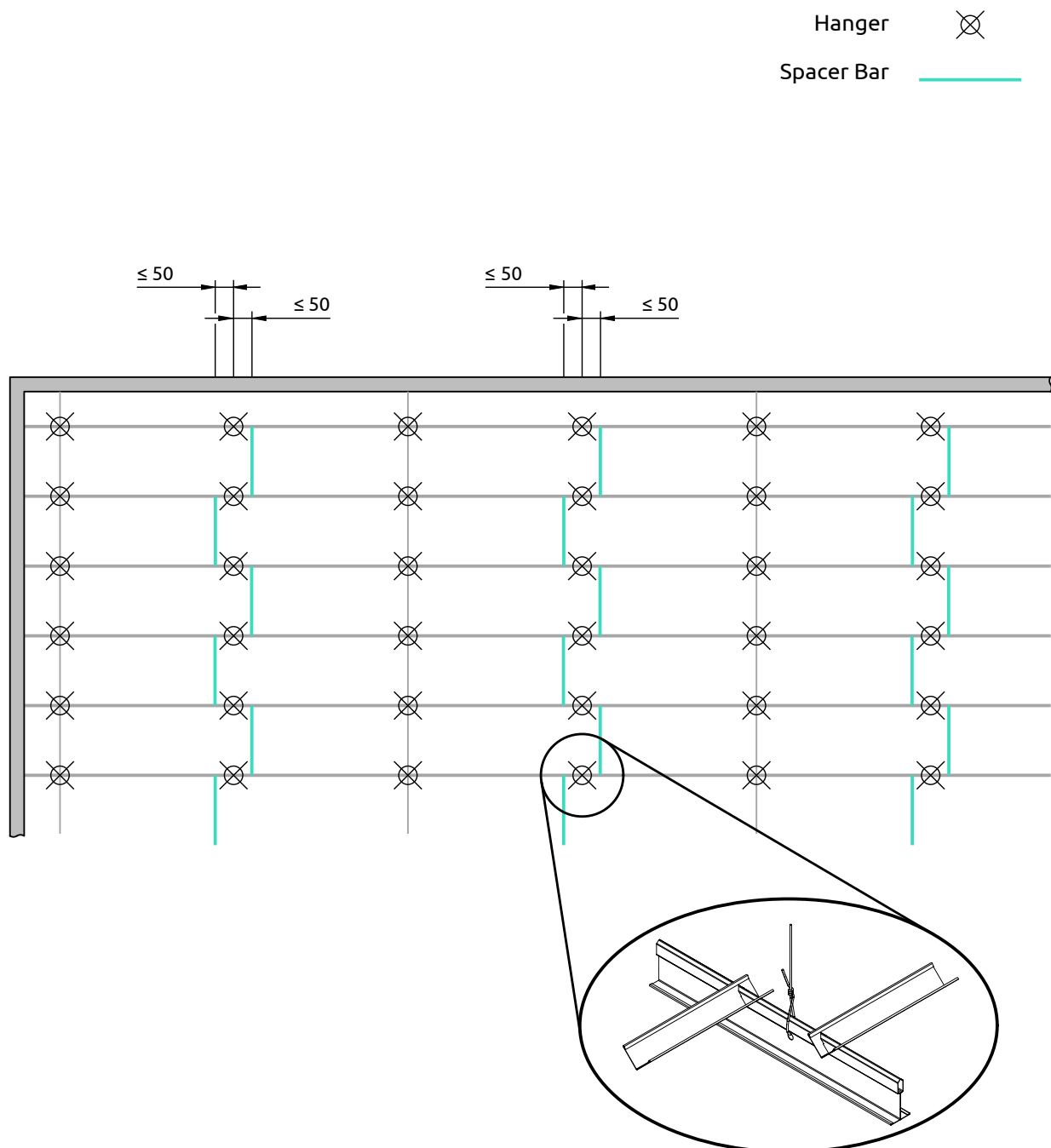
- ✔ Cross Tees at 3600mm centres

Note: A minimum of 3600mm between Cross Tees is necessary to ensure tile accessibility



13 Install Spacer Bars (600 x 600mm modules)

- ✓ Spacer Bars need to be installed next to Hangers where there is no Cross Tee
- ✓ Stagger Spacer Bar either side of the Hangers as shown

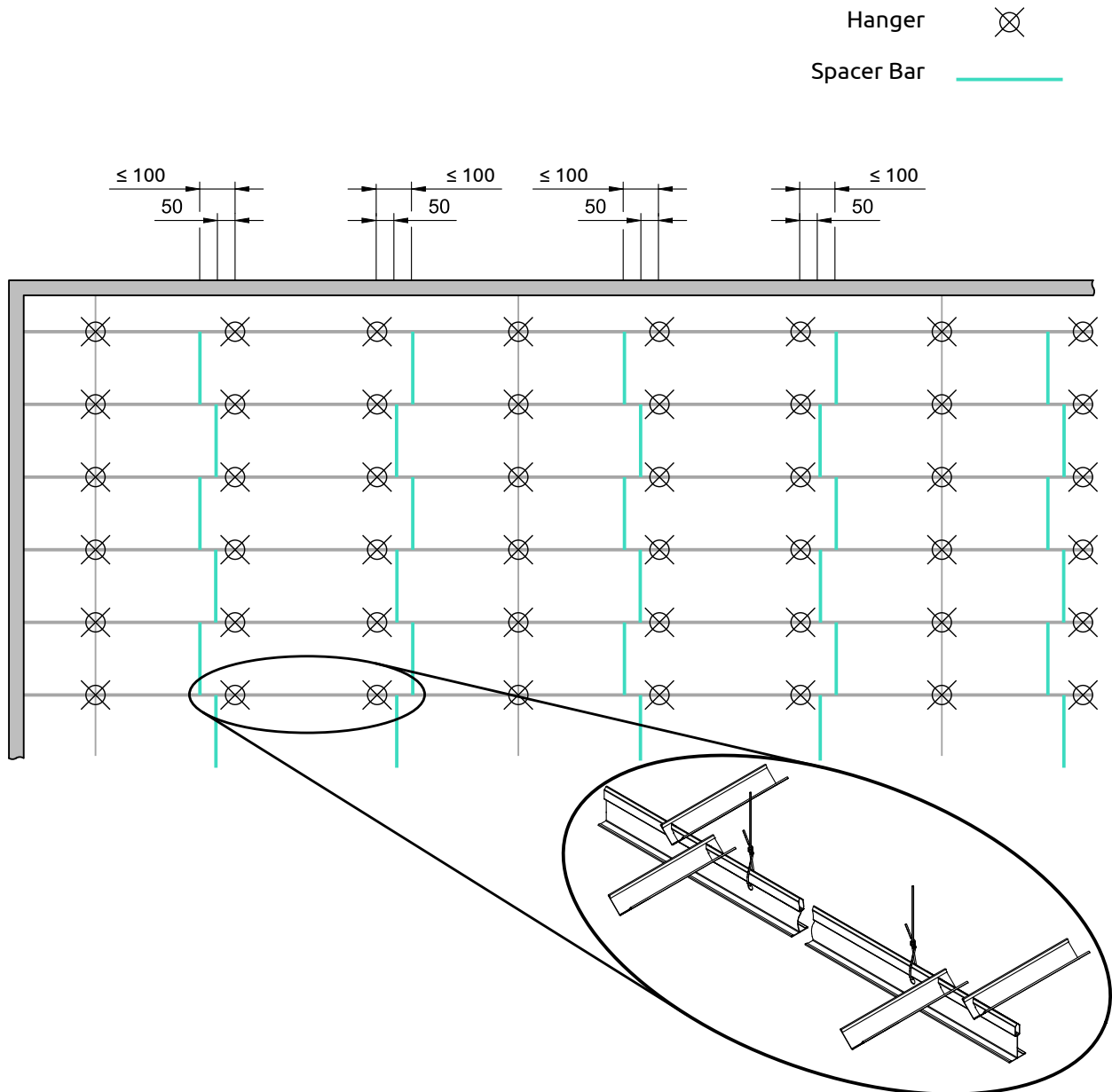


Note:

If required, additional cut Cross Tees or cut Spacer Bars can be used at the wall between cut Cross Tees to maintain first Main Runner alignment.

14 Install Spacer Bars (1200 x 600mm modules)

- ✓ Spacer Bars need to be installed next to Hangers where there is no Cross Tee
- ✓ Install the Spacer Bars approx. 1100mm offset from the Cross Tees, as shown, in order to maintain accessibility



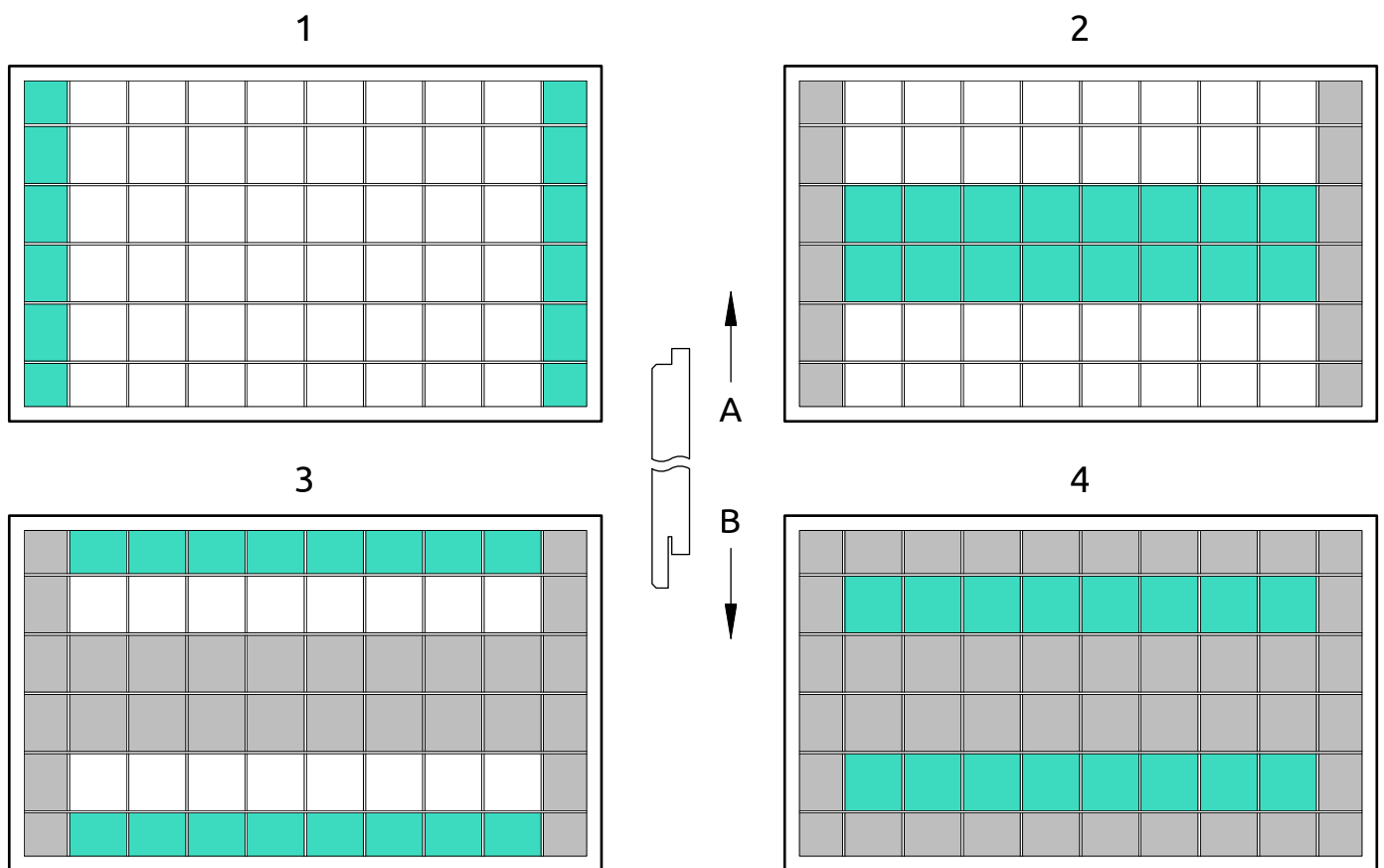
Note:

If Cross Tees are at greater than 3600mm, additional row(s) of Spacer Bars will be required. If required, cut Spacer Bars can be used at the wall between cut Cross Tees to maintain first Main Runner alignment.

15 Tile Installation (600 x 600mm modules)

All full tiles and cut tiles must be installed in same orientation

1. Install cut tiles then install Cross Tees between cut tile and first full tile*
2. Install central rows of full tiles and check squareness of ceiling
3. Install cut tiles between Main Runners and wall*
4. Install last rows of full tiles

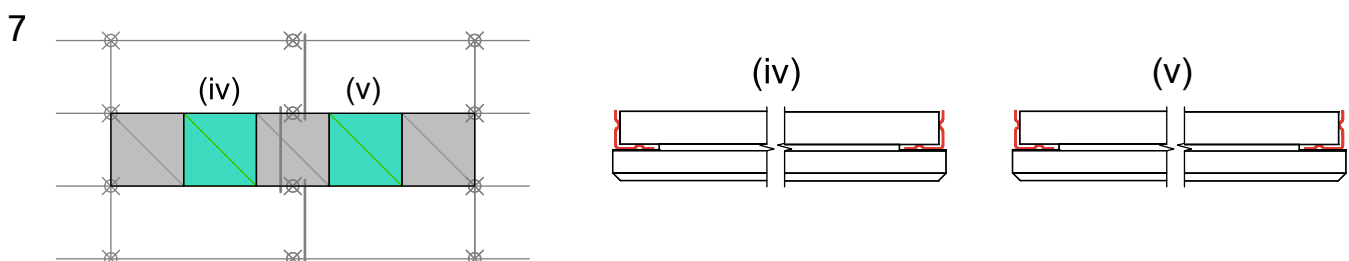
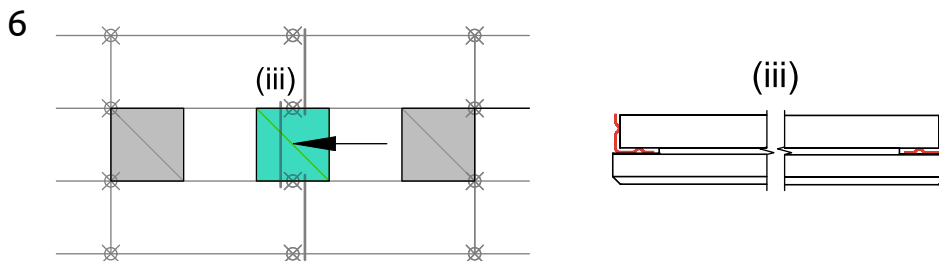
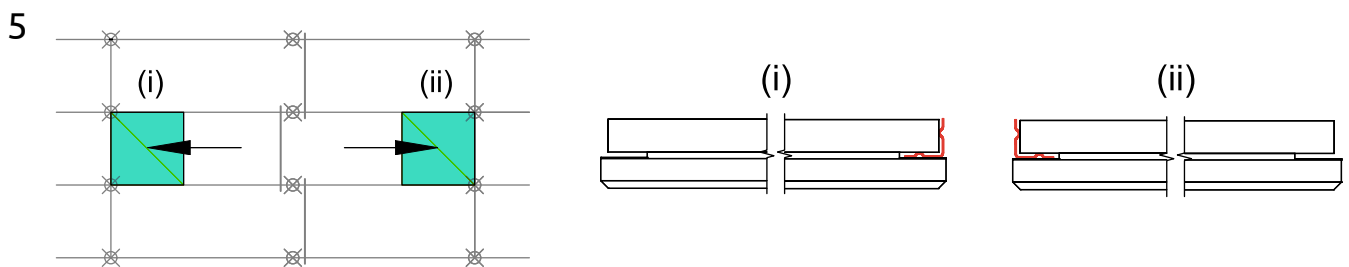


*See pages 19 and 20 for guide to cutting tiles.

16 Construction Sequence (600 x 600mm modules)

All full tiles and cut tiles must be installed in same orientation

5. Install tiles (i) and (ii) and add L-Bars on the edges opposite to Cross Tees*
6. Install the tile (iii) and slide it into position beneath the Spacer Bar and add L-Bars on both 'C' edges of tile*
7. Add L-Bars on both 'C' edges of tile (iv) and (v) and install them in position

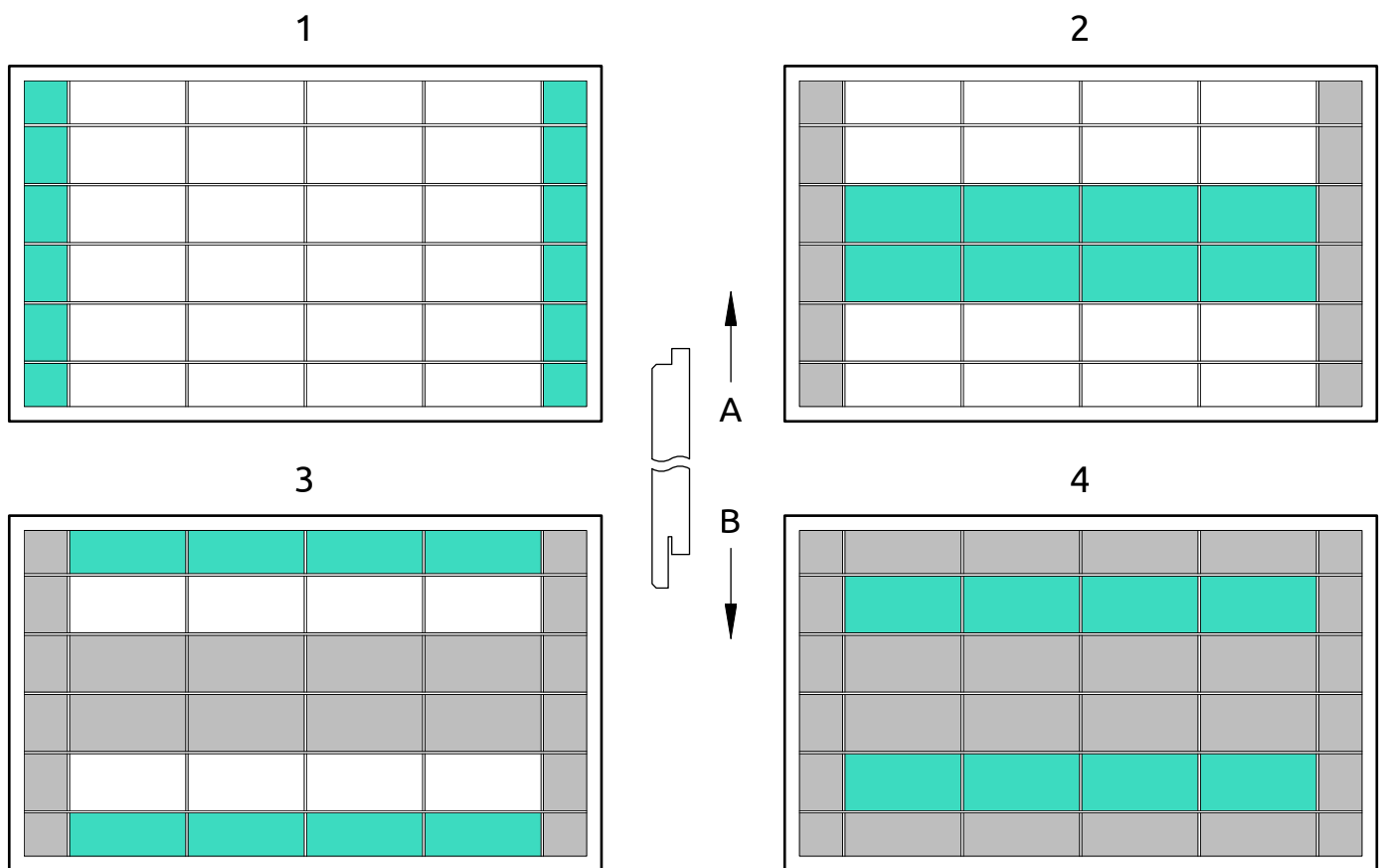


*If preferred, L-Bars can be inserted into tiles (i), (ii), (iii) before they are installed.

17 Tile Installation (1200 x 600mm modules)

All full tiles and cut tiles must be installed in same orientation

1. Install cut tiles then install Cross Tees between cut tile and first full tile*
2. Install central rows of full tiles and check squareness of ceiling
3. Install cut tiles between Main Runners and wall*
4. Install last rows of full tiles



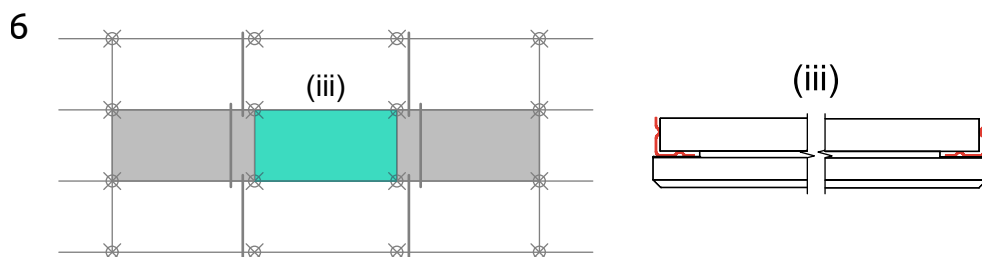
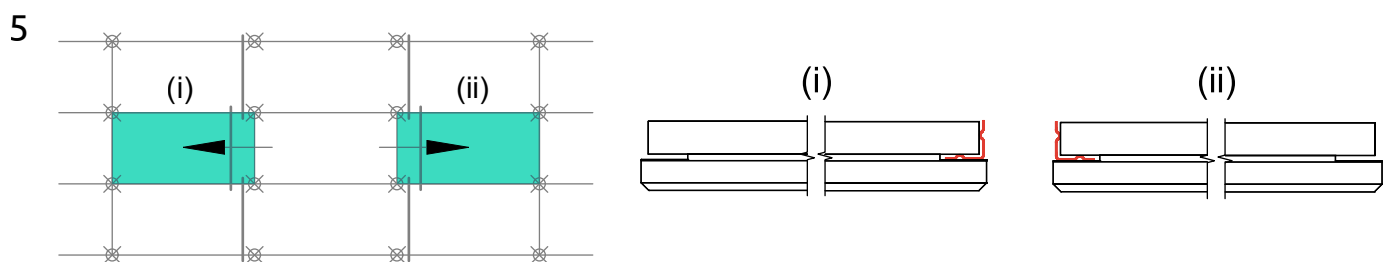
*See pages 19 and 20 for guide to cutting tiles.

18 Construction Sequence (1200 x 600mm modules)

All full tiles and cut tiles must be installed in same orientation

5. Install tiles (i) and (ii) and add L-Bars on the edges opposite to Cross Tees*

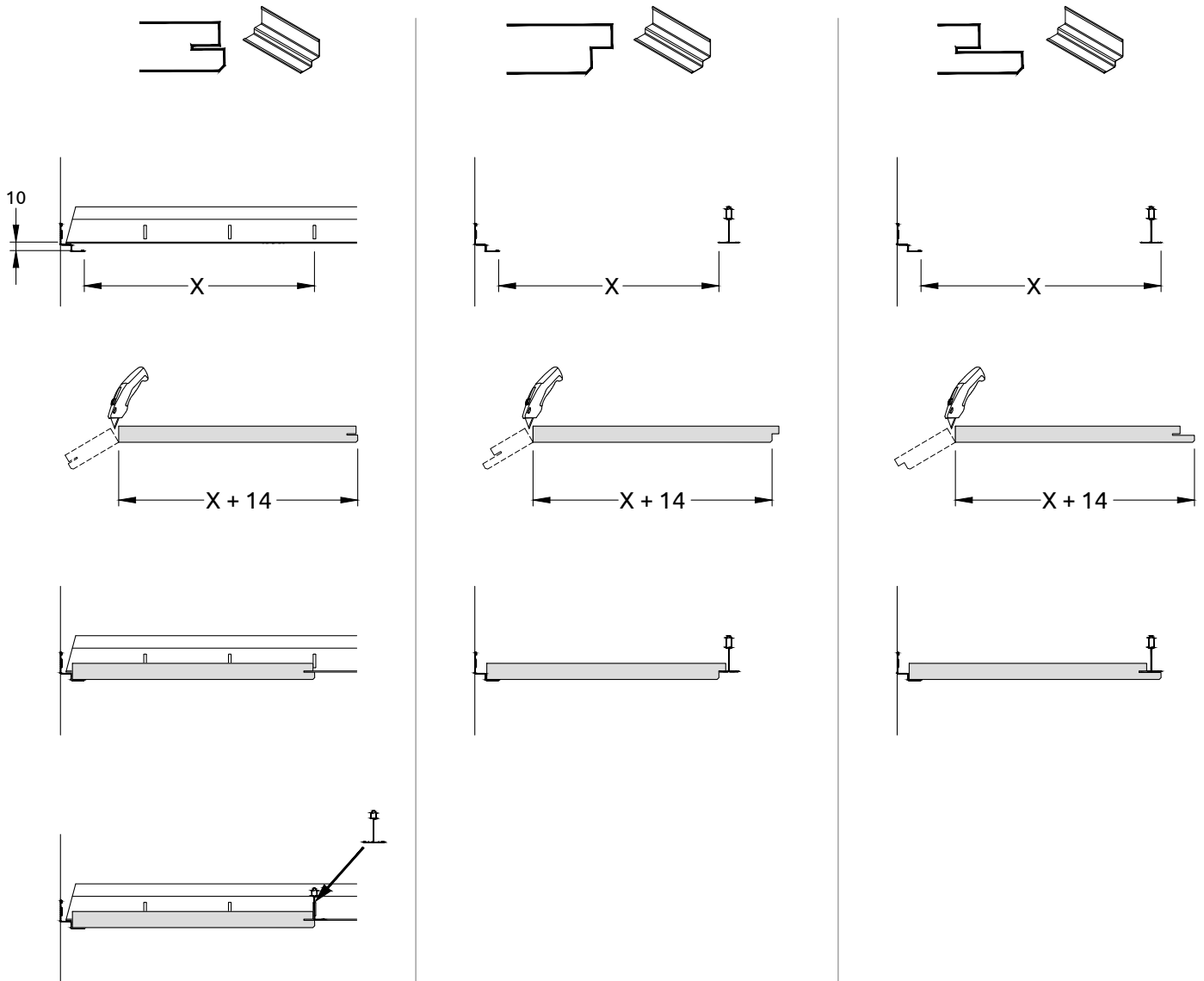
6. Add L-Bars on both 'C' edges of tile (iii) and install it in position



*If preferred, L-Bars can be inserted into tiles (i), (ii) before they are installed.

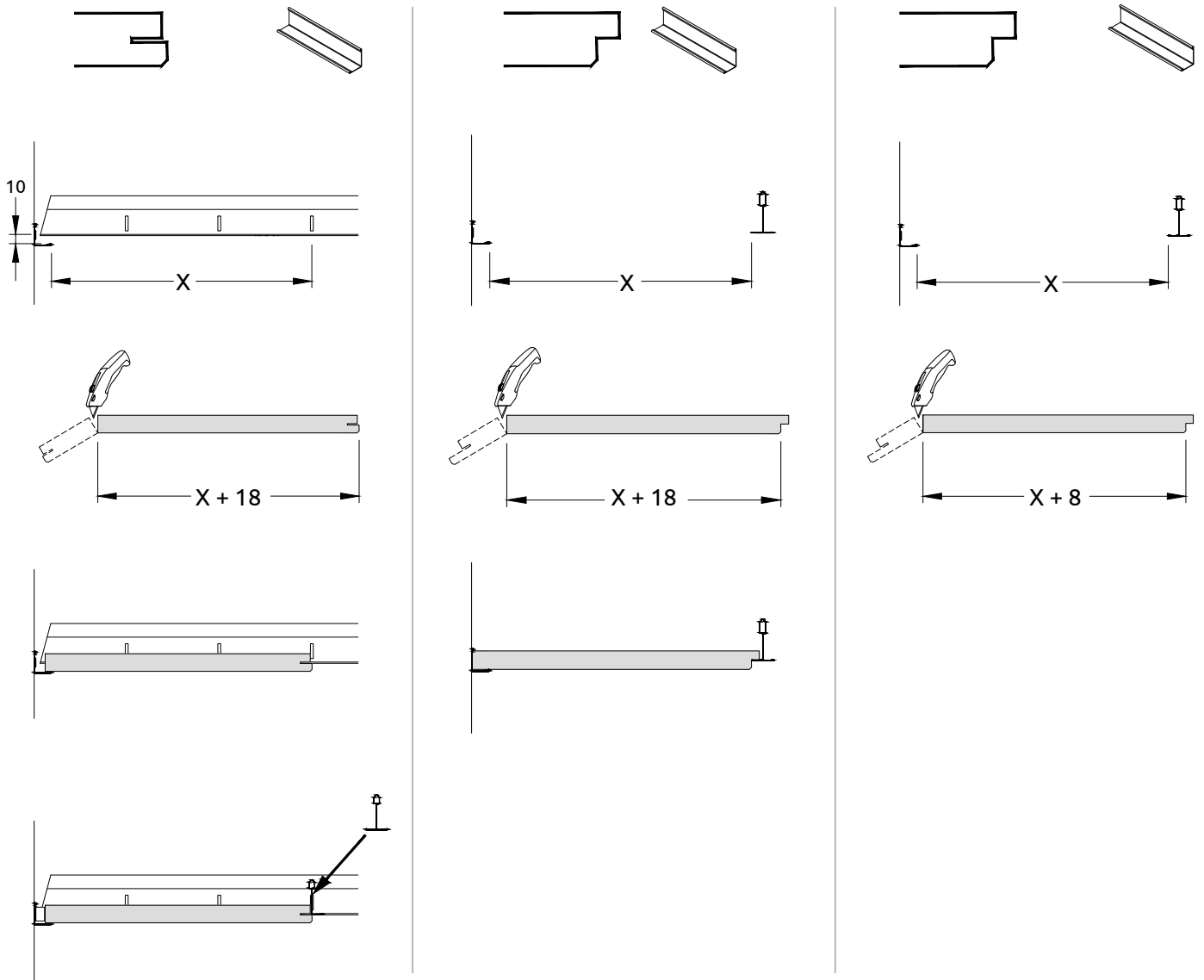
19 Guide to Cutting Tiles

Installation with Shadowline Trim



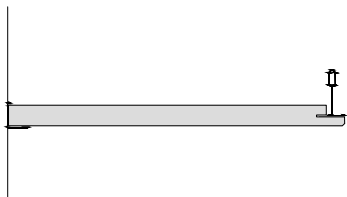
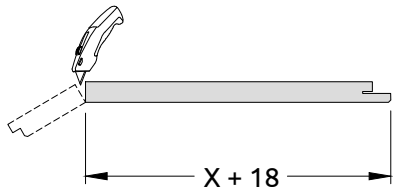
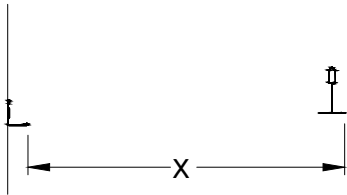
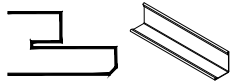
20 Guide to Cutting Tiles

Installation with Perimeter Angle



21 Guide to Cutting Tiles

Installation with Perimeter Angle



INS 167.2.02.24