

Axiom Circle & Curved Canopies

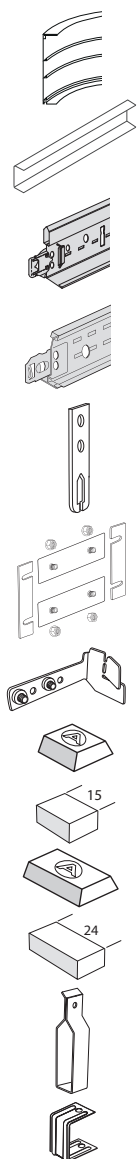
for Tegular 8mm & MicroLook 8mm reveal edge tiles

Installation Guide



01 Preparation

Axiom Circle & Curved Canopies components*



Item No.	Description
62 42 06 G	Axiom Circle and Curved Profile
C 3000 H	Primary C-Channel
30 40 33 A	Prelude Peakform Main Runner T15 or
31 40 32 A	Prelude Peakform Main Runner T24
30 20 33 B	Prelude Cross Tee 600mm T15 or
31 20 21 A	Prelude Cross Tee 600mm T24
AWDN 21 H	T-bar hanger
A 361 G	Splice connector
A 339 H	T-bar connector clip (threaded) + M4 bolts (cross head)
A 156 G	Perimeter fill-in for 15mm grid
A 157	Perimeter fill-in for 15mm grid
A 246 G	Perimeter fill-in for 24mm grid
A 247	Perimeter fill-in for 24mm grid
A 348 G	Channel bracket (Aircraft cable included in the kit)
CA 97 H	Clamp for C-Channel

Axiom Circle and Curved Canopy is a modular suspension system supplied kit with ready-to-assemble components (partly listed above). *For further detailed information regarding any of these items please refer to the parts lists included in the carton. All the profiles on the kits are cut and pre-drilled following the dimensions of the Canopy.

Initial Recommendations

- // Axiom Circle & Curved Canopies should always be installed in accordance with all applicable building codes and regulations.
- // Axiom Circle & Curved Canopies, as any other architectural feature located in the ceiling plane, may obstruct or skew the existing or planned fire sprinkler distribution pattern or even delay the activation of the fire detection system. Designers and installers are advised to consult a fire protection engineer for guidance on the proper installation techniques where fire detection or suppression systems are present.
- // Any additional load (such as light spots) MUST NOT be suspended from the canopy but independently from the soffit.
- // Axiom Circle & Curved Canopies should be always installed on a horizontal plane.
- // Axiom Circle & Curved Canopies are only suitable for indoor applications.
- // Axiom Circle & Curved Canopies can reach a significant weight. In order to minimise the risk of injuries, the canopies should be installed by a minimum of 2 people.
- // Suspension elements such as threaded rods, anchors or any other element not included in the kit must be chosen to ensure a safe installation and follow local regulations.
- // It is recommended to assemble the canopy under the final ceiling location to avoid later movement.

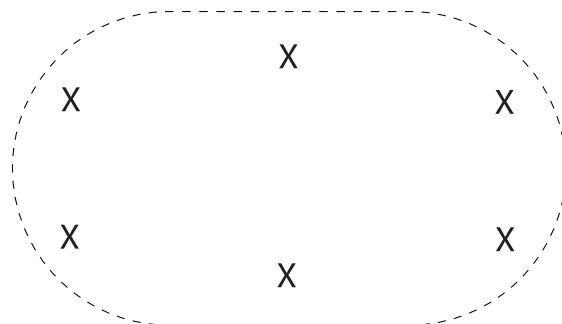
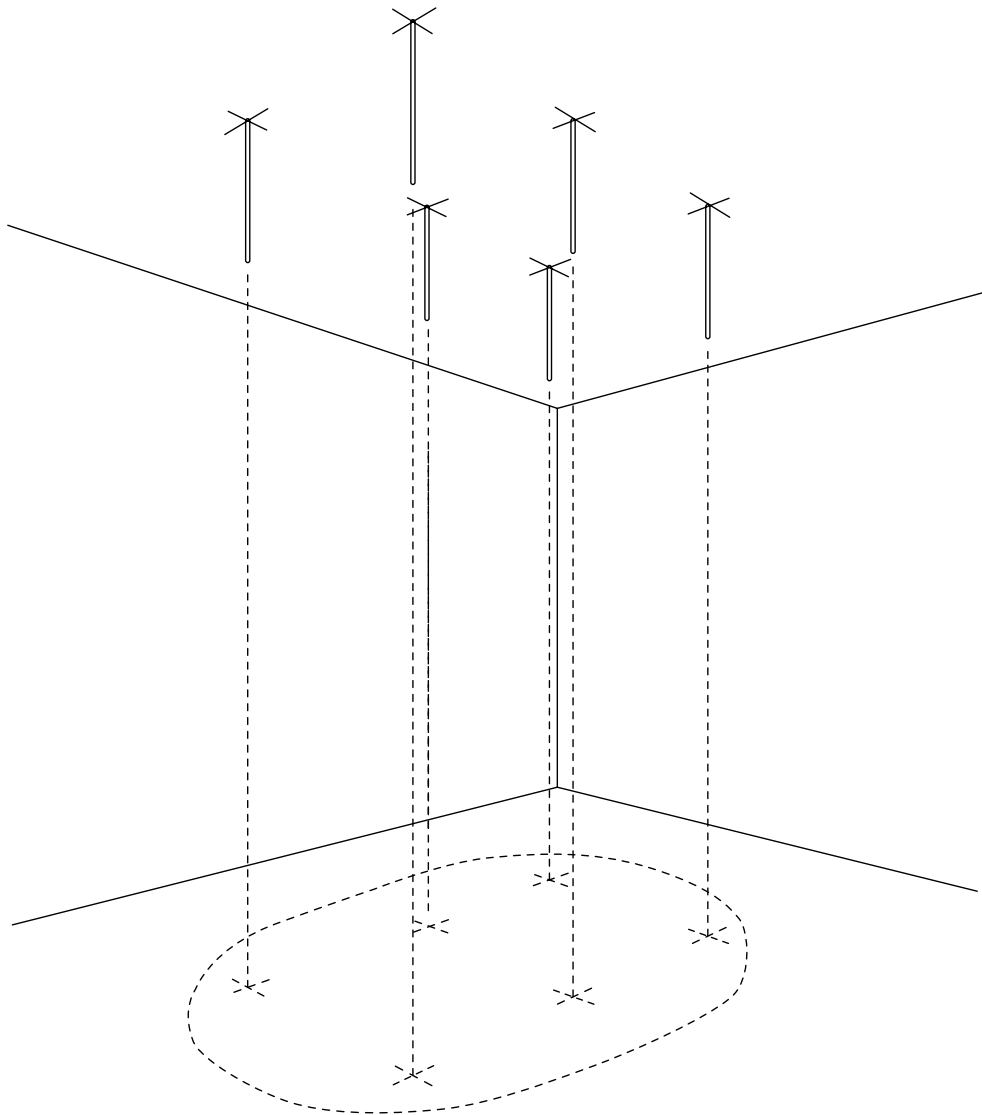
Gloves supplied in the kit are used to prevent marking the components during installation. They are **NOT** meant to be used as safety gloves.

01 Preparation

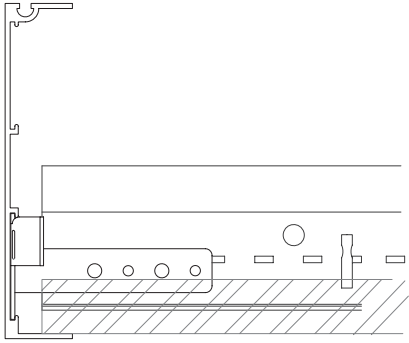
Suspension Points

Suspension points should be determined before installing the canopy.

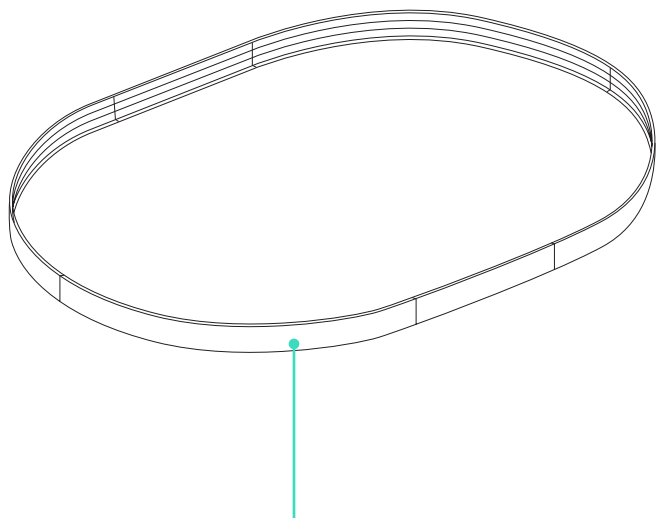
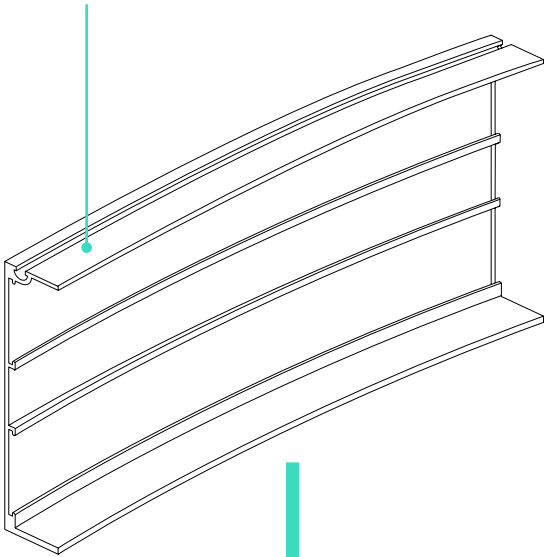
See the recommended suspension point matrix on the last page of this guide.



02 The Chassis on the floor

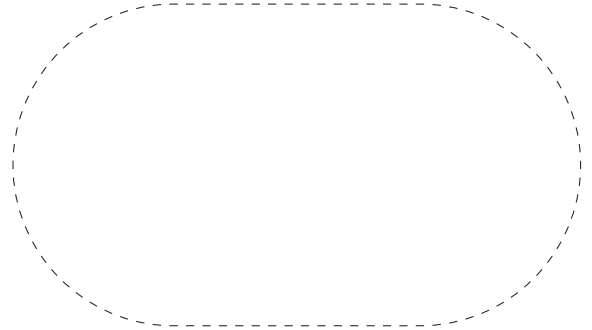


Choose the position of the perimeter section
(Groove facing up or downwards)



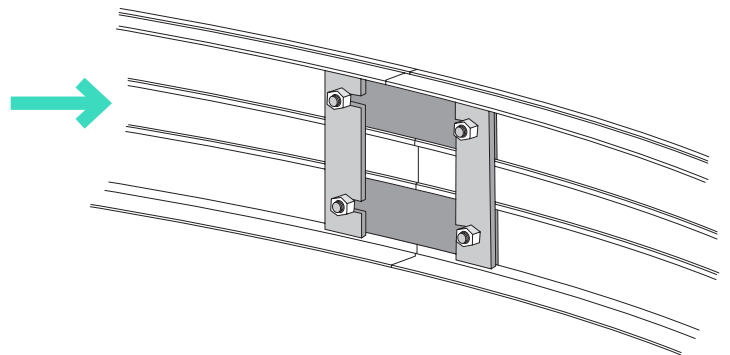
Match the codes (1-1, 2-2,
etc) of the perimeter ends

The 1.8 x 2.4m module is used as an example only



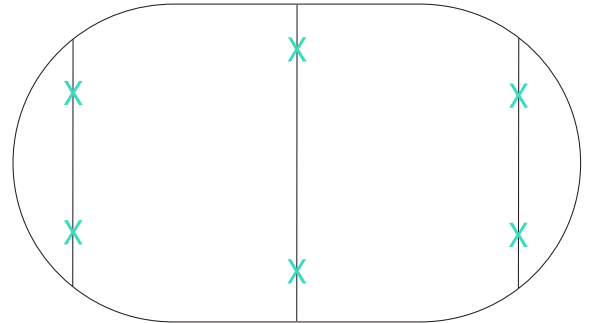
Items needed:

- 2 x Axiom straight profiles
- 4 x Axiom curved profiles
- 6 x Splice connectors



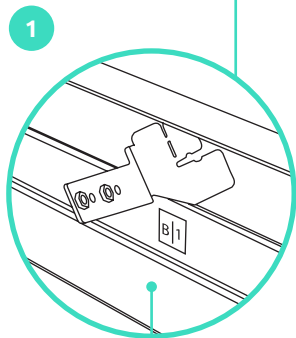
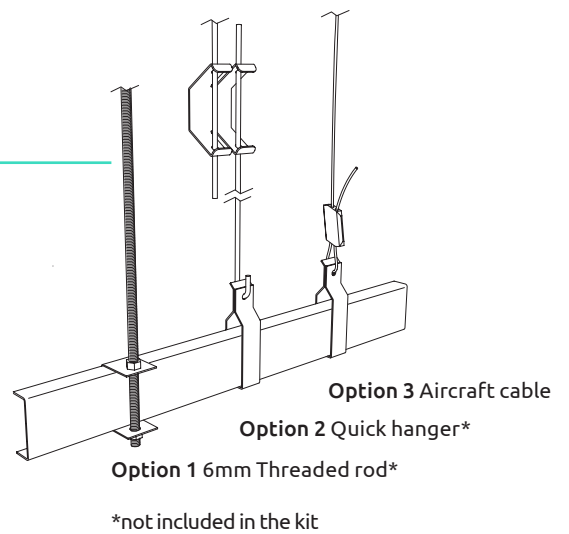
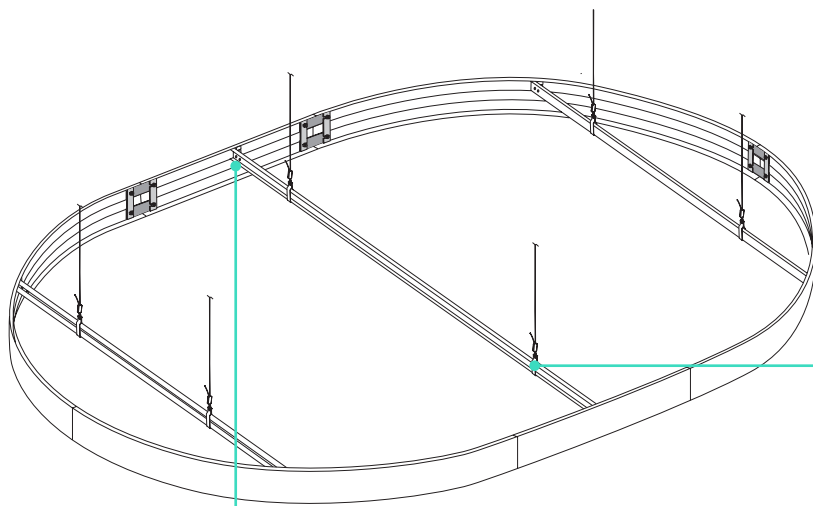
03 The Primary Grid on the floor

The 1.8 x 2.4m module is used as an example only

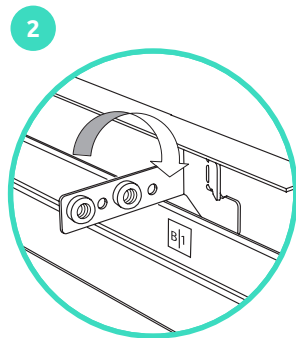


Items needed:

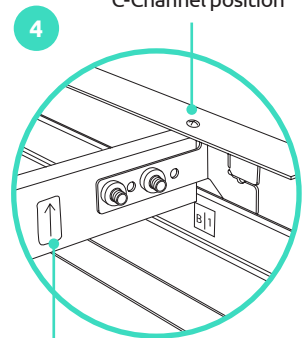
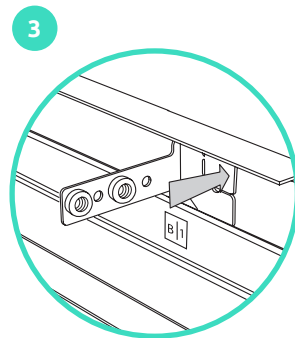
- 3 x C-Channels
- 6 x T-bar connectors
- 6 x Hangers



1 Match the positioning stickers attached to the Chassis

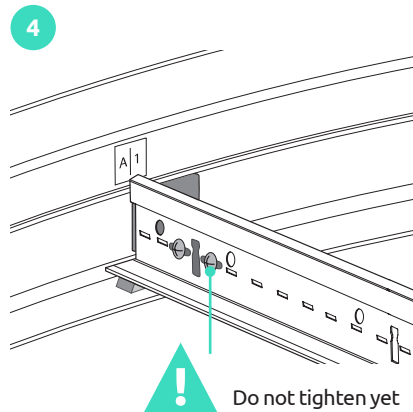
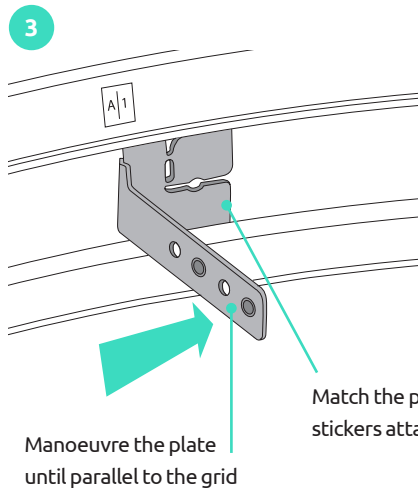
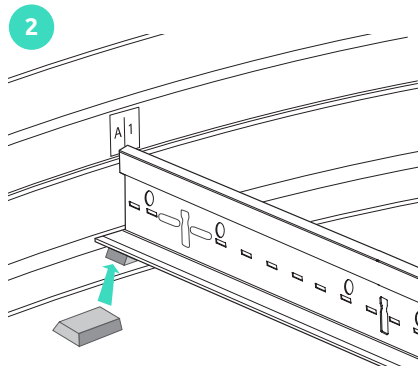
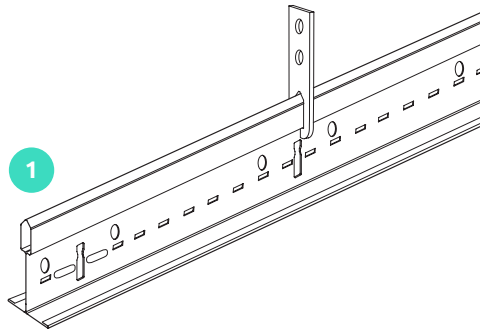


2 **IMPORTANT NOTE:** When there is not enough room for the screwdriver please install the T-bar connectors upside down.

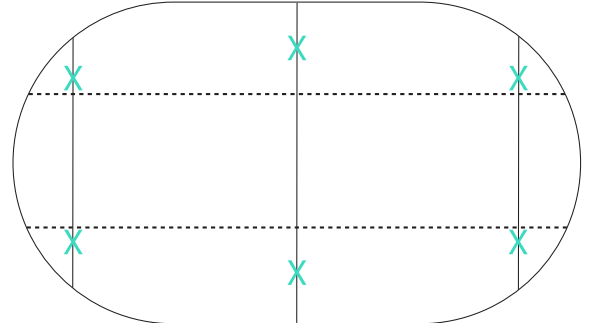


4 Self tapping screw to secure C-Channel position
Check positioning arrow on the C-Channel

04 The Grid – Main Runner in the air

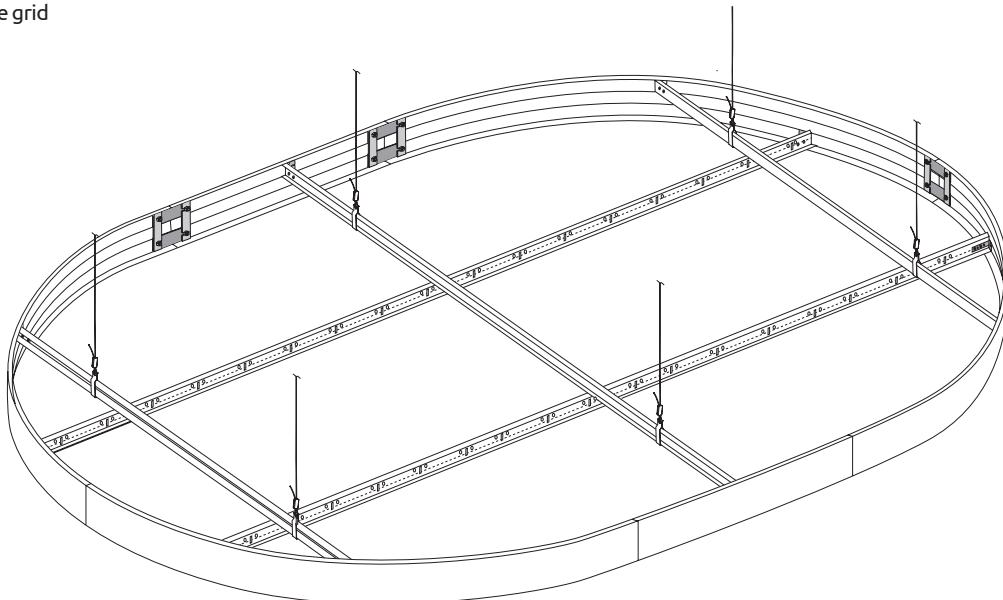


The 1.8 x 2.4m module is used as an example only



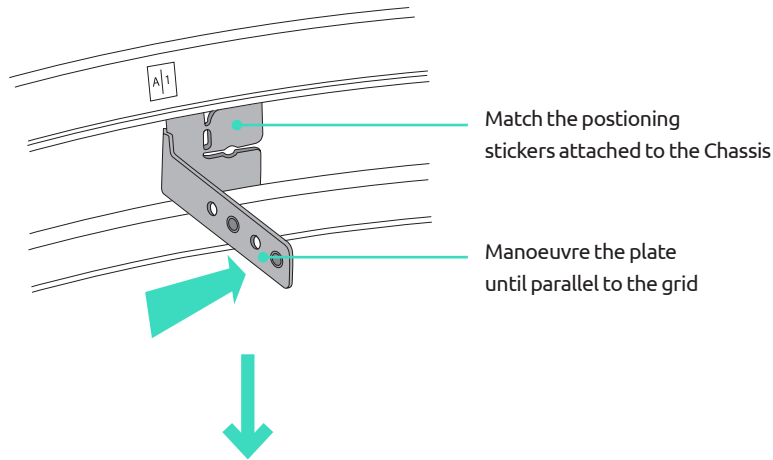
Items needed:

- 2 x Main Runners
- 4 x T-bar connectors
- 4 x Perimeter fill in

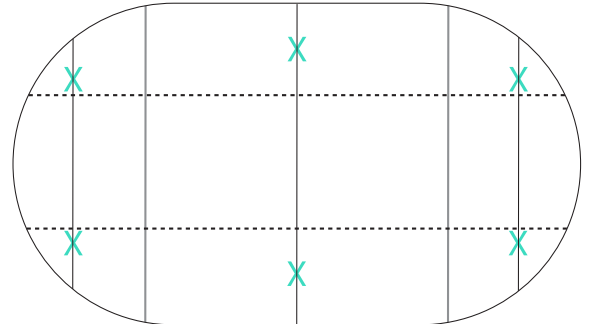


05 The Grid – Cross Tees

in the air

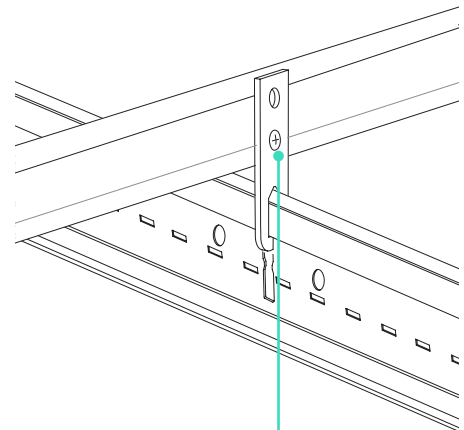
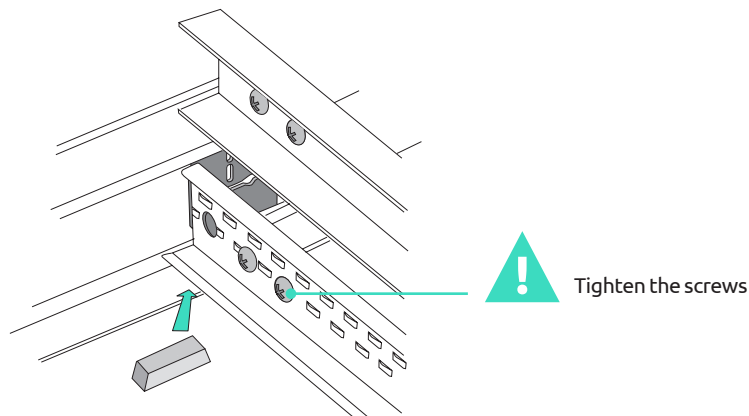


The 1.8 x 2.4m module is used as an example only



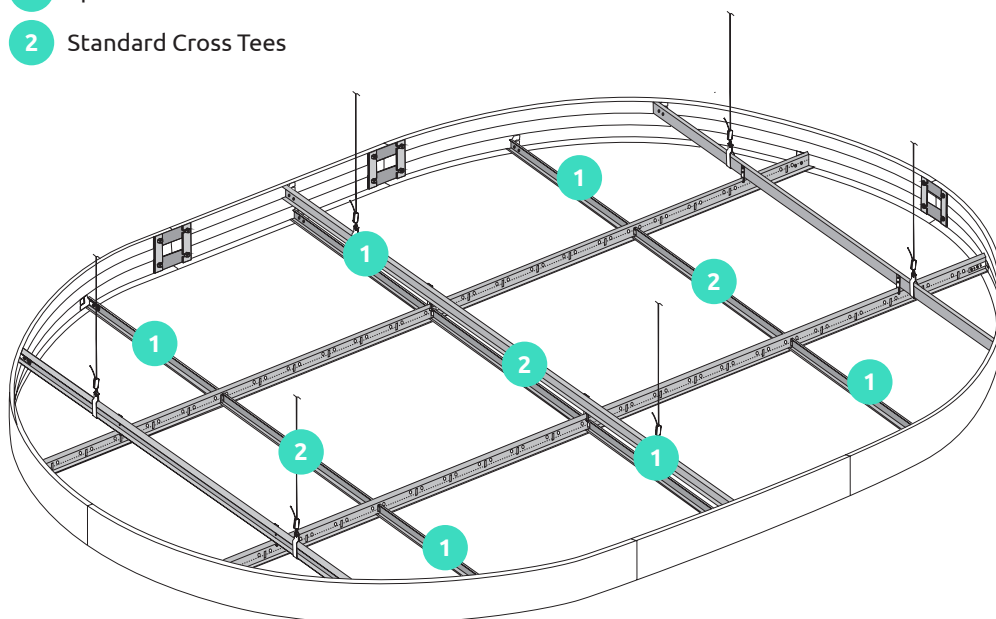
Items needed:

- 3 x Standard Cross Tees
- 6 x Special Cross Tees
- 6 x T-bar connectors
- 6 x Perimeter fill in



Use self-tapping screws at the marked height line, once the Main Runner and Cross Tees have been centred.

- 1 Special Cross Tees
- 2 Standard Cross Tees



Use a measuring tape to check the centering of the Main Runners and Cross Tees and readjust if needed.

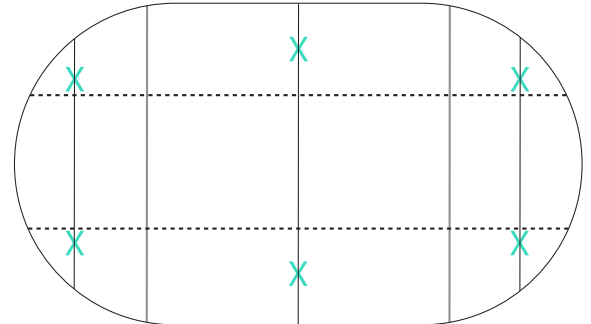
06 The Tiles

For Tegular 8mm & MicroLook 8mm edge reveal tiles

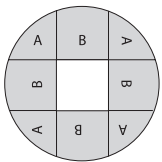
All perimeter tiles are cut on site (Board edge; see drawing page 3) and resting with the face on the Axiom Profile.

1. Cut down the perimeter tiles using the templates provided (see layout below) and install them accordingly.
2. Install the full size / centre tiles/s.

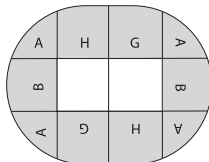
The 1.8 x 2.4m module is used as an example only



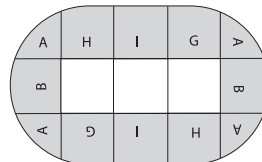
Tile Layout



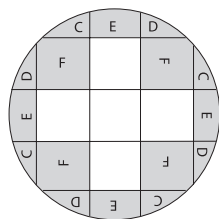
1.8m Canopy
CS ACI 33 G15
CS ACI 33 G24



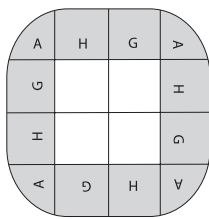
1.8m x 2.4m Canopy
CS ACU 43 G15
CS ACU 43 G24



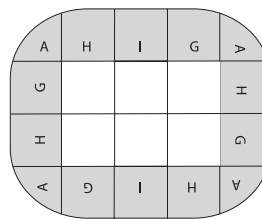
1.8m x 3m Canopy
CS ACU 53 G15
CS ACU 53 G24



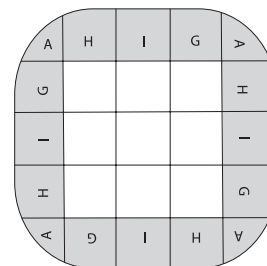
2.4m Canopy
CS ACI 44 G15
CS ACI 44 G24



2.4m x 2.4m Canopy
CS ACU 44 G15
CS ACU 44 G24



2.4m x 3m Canopy
CS ACU 54 G15
CS ACU 54 G24

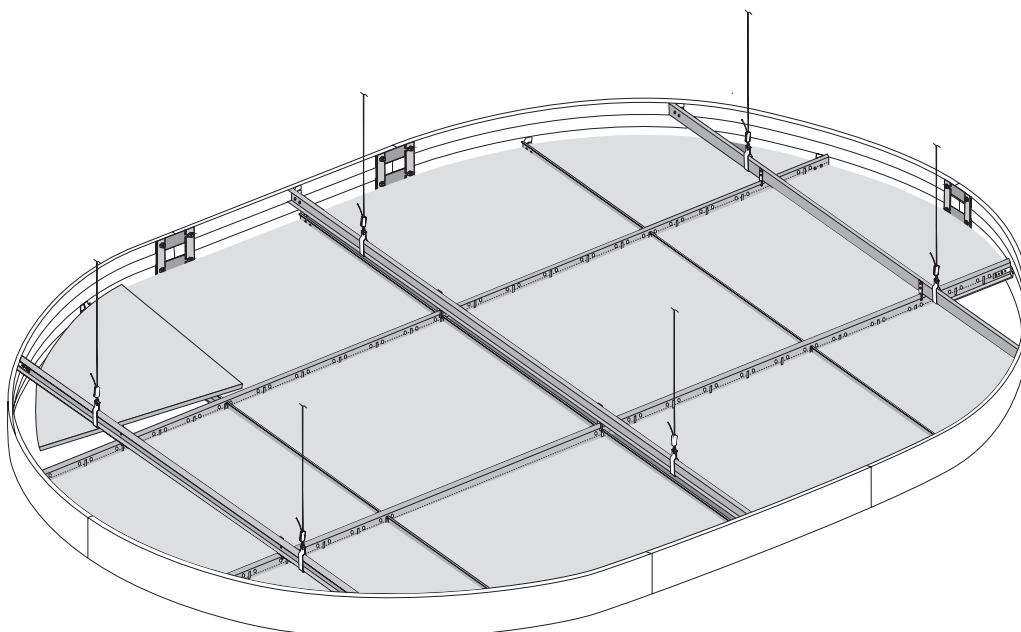


3m x 3m Canopy
CS ACU 55 G15
CS ACU 55 G24

Items needed:

12 x Standard tiles (NOT INCLUDED)

1 x Set of templates



07 Physical Data

Material

- Frame: Extruded aluminium profiles
- Grid & Accessories: Hot dipped galvanised steel

Surface finish

- Frame: Polyester powder coated
- Grid capping: Baked polyester paint
- Colour: Global white

Warranty

- For more information, please see our website

14 pre-packed, ready-to-assemble Axiom Circle & Curved canopy kits, in 7 standard modules, will be available either in 15mm or 24mm grid.

Module	Grid system 15 mm XL ² Item No.	Grid system 24 mm XL ² Item No.
Circle 1800	CS ACI 33 G15	CS ACI 33 G24
Circle 2400	CS ACI 44 G15	CS ACI 44 G24
Curved 2.4 x 1.8m	CS ACU 43 G15	CS ACU 43 G24
Curved 2.4 x 2.4m	CS ACU 44 G15	CS ACU 44 G24
Curved 3 x 1.8m	CS ACU 53 G15	CS ACU 53 G24
Curved 3 x 2.4m	CS ACU 54 G15	CS ACU 54 G24
Curved 3 x 3m	CS ACU 55 G15	CS ACU 55 G24

Axiom Circle & Curved canopy kits are only available in specific markets, please contact Zentia Technical Sales. Ceiling tiles **ARE NOT** included in the kit.

Ceiling tiles are NOT included in the kit.

- Max. tile load: 10 kg/m²

For further information on customised size models please contact Zentia Technical Sales.

Advisory note:

All statements and technical information contained in this brochure, or any publication of the companies named in this brochure, relating to Zentia are based on results obtained under laboratory test conditions.

It is the responsibility of the user to verify with the seller of the products in writing that such statements and information are appropriate to the specific use intended.

Sales of the products and liability of the selling companies are in accordance with the terms and conditions of sale of the selling company.

All product specifications are subject to modifications without prior notice.

