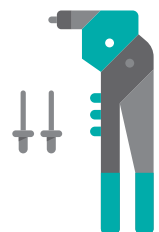
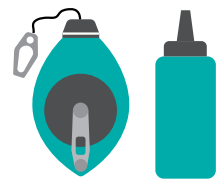
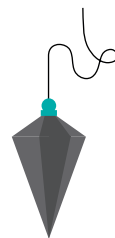
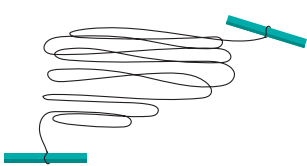
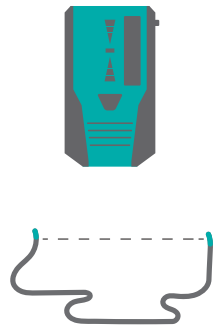
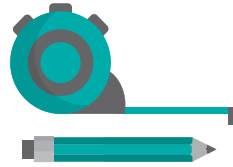
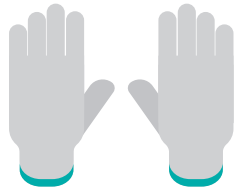


Prelude SL2 Planks

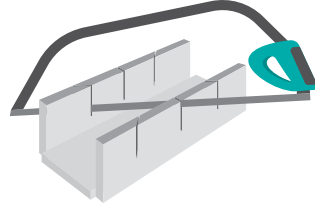
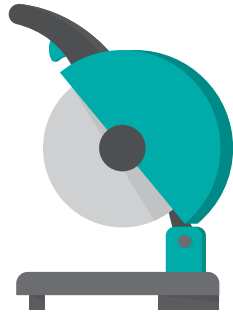
Installation Guide



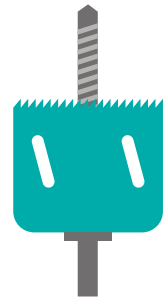
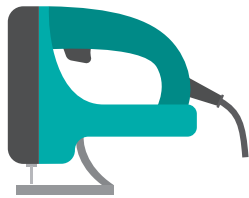
01 General Tools



02 Grid Tools



03 Tile Tools

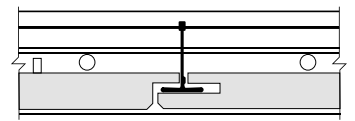


04 System Overview

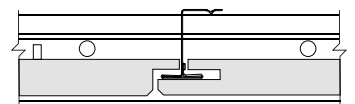
Mineral fibre SL2 planks retain their accessibility due to the long (shiplap) edge, which is supported by a piece of 24mm main runner (or a Z-section) within the thickness of the tile.

Mineral fibre planks are 300mm wide by 1500mm, 1800mm or 2500mm long and utilise a concealed bevel edge shiplap detail on the two long edges while the short edges have a square edge detail for support on a 24mm exposed grid (room installation) or onto a perimeter trim (corridor installation).

Prelude 24



Z Bar



NOTE:

In room installations, the 24mm exposed grid supporting the short edges is visible in one direction only.



05 Installation

Semi Concealed Grid System – Items Required

LENGTH OF PLANKS	
≤1800mm	>1800mm
CORRIDOR	CORRIDOR
<ol style="list-style-type: none"> 1. Perimeter Trim (angle trim or shadowline) 2. SL2 Planks 3. Stiffening profile alternatively: <ul style="list-style-type: none"> – Deep Z 30.5mm – Prelude 24 MR Butt Cut 	<ol style="list-style-type: none"> 1. Shadowline: <ul style="list-style-type: none"> – BPM 311037 for Ultima+ and Ultima+ dB 2. SL2 Planks 3. Stiffening profile alternatively: <ul style="list-style-type: none"> – Deep Z 66.5mm (BP CZ 41795) – Prelude Sixty² MR Butt Cut
ROOM	ROOM
<ol style="list-style-type: none"> 1. Perimeter Trim (angle trim or shadowline) 2. Room division profile: <ul style="list-style-type: none"> – Peakform 24 MR 3. Hangers 4. SL2 Planks 5. Stiffening profile alternatively: <ul style="list-style-type: none"> – Deep Z 30.5mm – Prelude 24 MR Butt Cut 6. Spacer Bars 	<ol style="list-style-type: none"> 1. Perimeter Trim (angle trim or shadowline) 2. Room division profile: <ul style="list-style-type: none"> – Peakform 24 MR 3. Hangers 4. SL2 Planks 5. Stiffening profile alternatively: <ul style="list-style-type: none"> – Deep Z 66.5mm (BP CZ 41795) – Prelude 24 MR Butt Cut 6. Spacer Bars

06 Installation

Semi Concealed Grid System

- 1 Use **BPCZ41494 J** – 30.5mm deep Z Bar for use with 1500mm long SL2 Planks (use Prelude 24 Butt Cut BPCB313632 as an alternative)
- 2 Use **BPCZ41794 J** – 30.5mm deep Z Bar for use with 1800mm long SL2 Planks use Prelude 24 Butt Cut BPCB313632 as an alternative)
- 3 When Peakform 24 MR is used for planks of length greater than 1800mm a central hanger is required
- 4 The cost of the Prelude Sixty² main runner means it is not economic for planks 1800mm long or less
- 5 When Prelude Sixty² main runner is used for planks of length greater than 1800mm, then it requires stabilising to prevent the section rolling. Typically this would be a piece of Peakform 24mm main runner or 13 x 38 channel secured to the top of the Prelude Sixty² main runner centrally down each row of planks
- 6 Use **BPCZ41795 J** – 66.5mm deep Z Bar for use with 2500mm long SL2 Planks

Plank Size	Z Bar 30.5mm	Peakform 24mm Main Runner	Prelude Sixty ² Main Runner
1500 x 300mm	• (1)	•	• (4)
1800 x 300mm	• (2)	•	• (4,5)
2500 x 300mm	– (6)	– (3)	• (5)

IMPORTANT NOTE:

The above table is based upon no other services or fittings being supported by the ceiling tile and grid. If fittings are to be installed within an SL2 Plank please contact Zentia Technical Sales regarding the maximum loading.

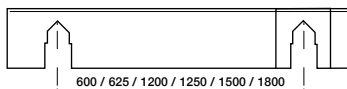
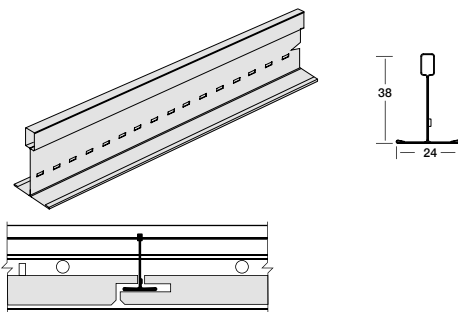
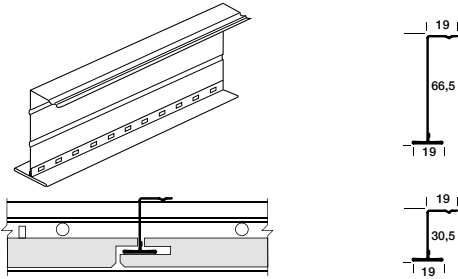


07 Installation

Suspension Systems Concealed / Semi-concealed SL2 Planks

Z Bar

- For semi-concealed plank systems
- Exposed 24mm Main Runners run in one direction. The centres of these Main Runners depends on the length of the plank. Space bars are necessary to maintain this spacing



Item No.	Description	Length
CZ 41 494 J	Z Bar 30.5mm	1500 mm
CZ 41 794 J	Z Bar 30.5mm	1800 mm
CZ 41 795 J	Z Bar 66.5mm	2500 mm

Prelude 24 Sixty

CB 31 36 32	Prelude 24 Butt Cut	1500 mm
CB 31 34 32	Prelude 24 Butt Cut	1800 mm
40 40 93 G	Prelude 24 Sixty ²	3600mm

Spacer Bar

C 180 L 1200	Spacer Bar	1200 mm
C 180 L 1500	Spacer Bar	1500 mm
C 180 L 1800	Spacer Bar	1800 mm

- Spacer bar lengths for different distances between main runners are available on request with min. 1200mm – max 2500mm length

08 Installation

Grid Load Capacities

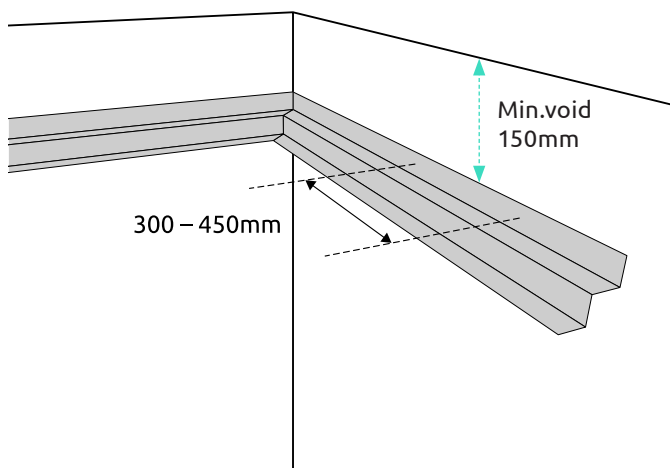
The table gives the maximum permitted load capacity of the tile weights in Kg/m² along the different profiles for the spacings noted.

- ✔ No other applied loads such as luminaires, air diffusers, smoke detectors, sprinklers, hanging signs etc. are permitted
- ✔ No overlays such as mineral wool or fibre glass quilts, as may be required for enhanced acoustics, fire or thermal performance, are permitted unless their full weight is established and included, together with the weight of the tile, within the appropriate weight groups

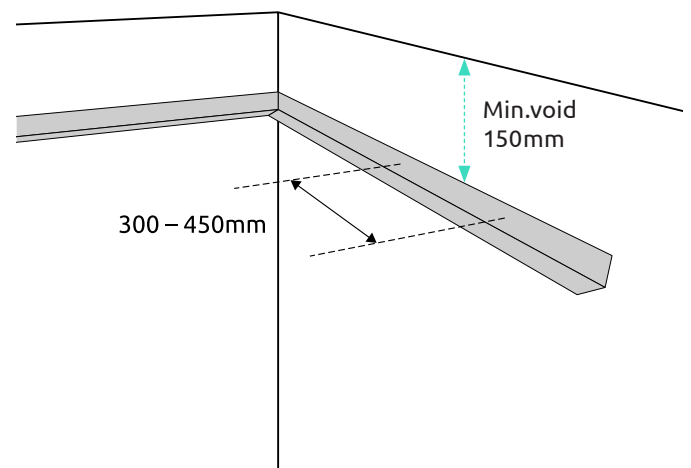
Item No.	Length	SPACING		
		≤ 300mm	≤ 450mm	≤ 600mm
Z Bars				
CZ 41 494 J	1500mm	16.1	10.7	8.1
CZ 41 794 J	1800mm	10.8	7.2	5.4
CZ 41 795 J	2500mm	14.0	9.3	7.0
Prelude 24 Butt Cut				
CB 31 36 32	1500mm	26.9	17.9	13.4
CB 31 34 32	1800mm	13.2	10.8	8.1
Prelude 24 Sixty²				
40 40 93 G	3600mm*	14.3	–	7.1

Spacing calculated up to 2500mm, for any additional information please contact Zentia Technical Support **0800 371 849**

09 Perimeter Trims



Shadowline perimeter trim fixings (T2020 HH)

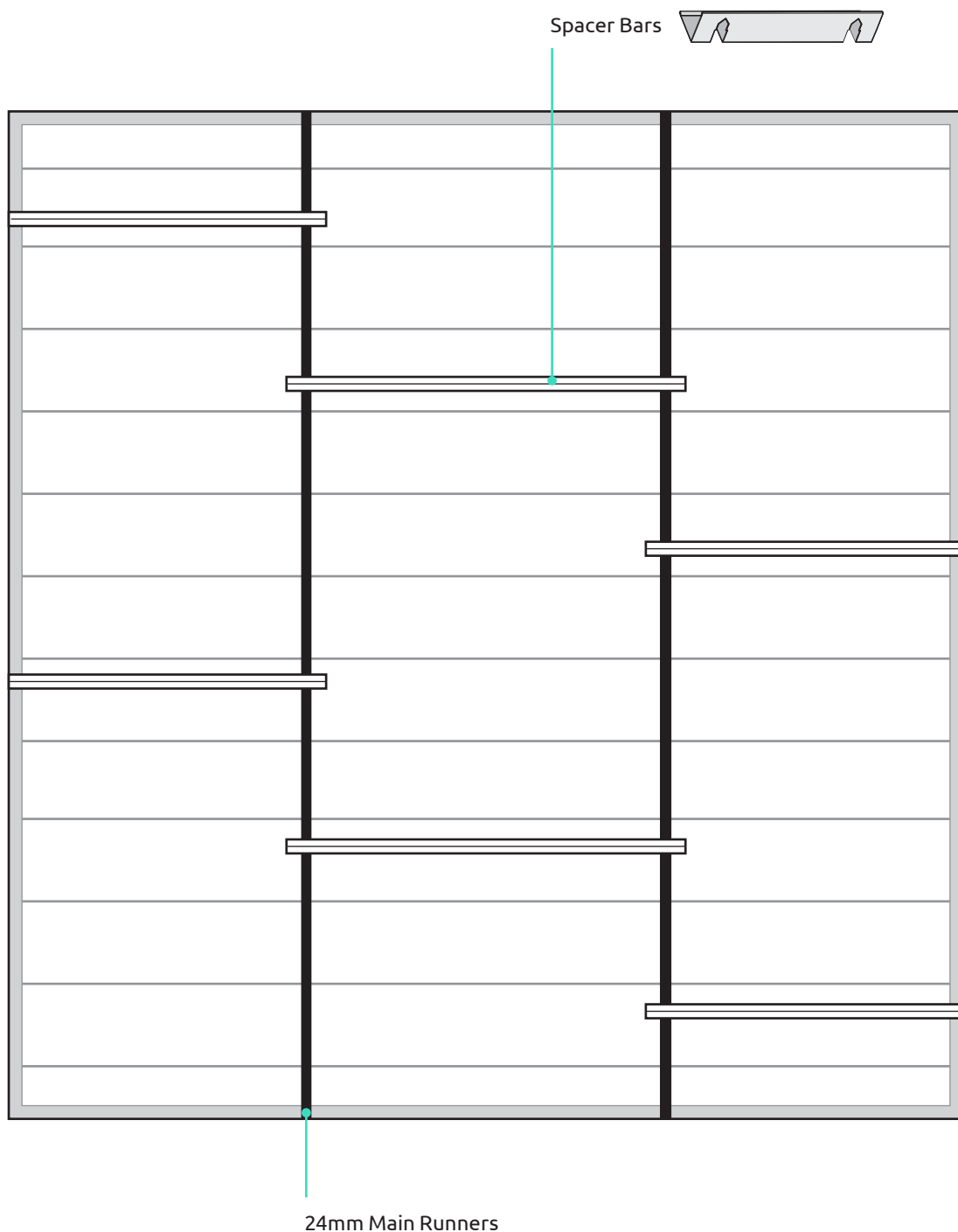


'L' perimeter trim fixings (1924 HD)

10 Room Installation

Mineral Fibre Planks – Room Installation

- Install 24mm main runners in one direction, spaced at the correct centres for the length of the SL2 planks
- SL2 planks are then installed with a piece of 24mm main runner cut to length (module less 6mm) or use the correct length z profile. Take care to ensure adjacent rows are correctly aligned with each corner
- Spacer bars (staggered) at 1500mm centres to the back of the main runners are required to maintain the correct spacing
- For a span over 1800mm Prelude Sixty² should be used or the required Z Bar

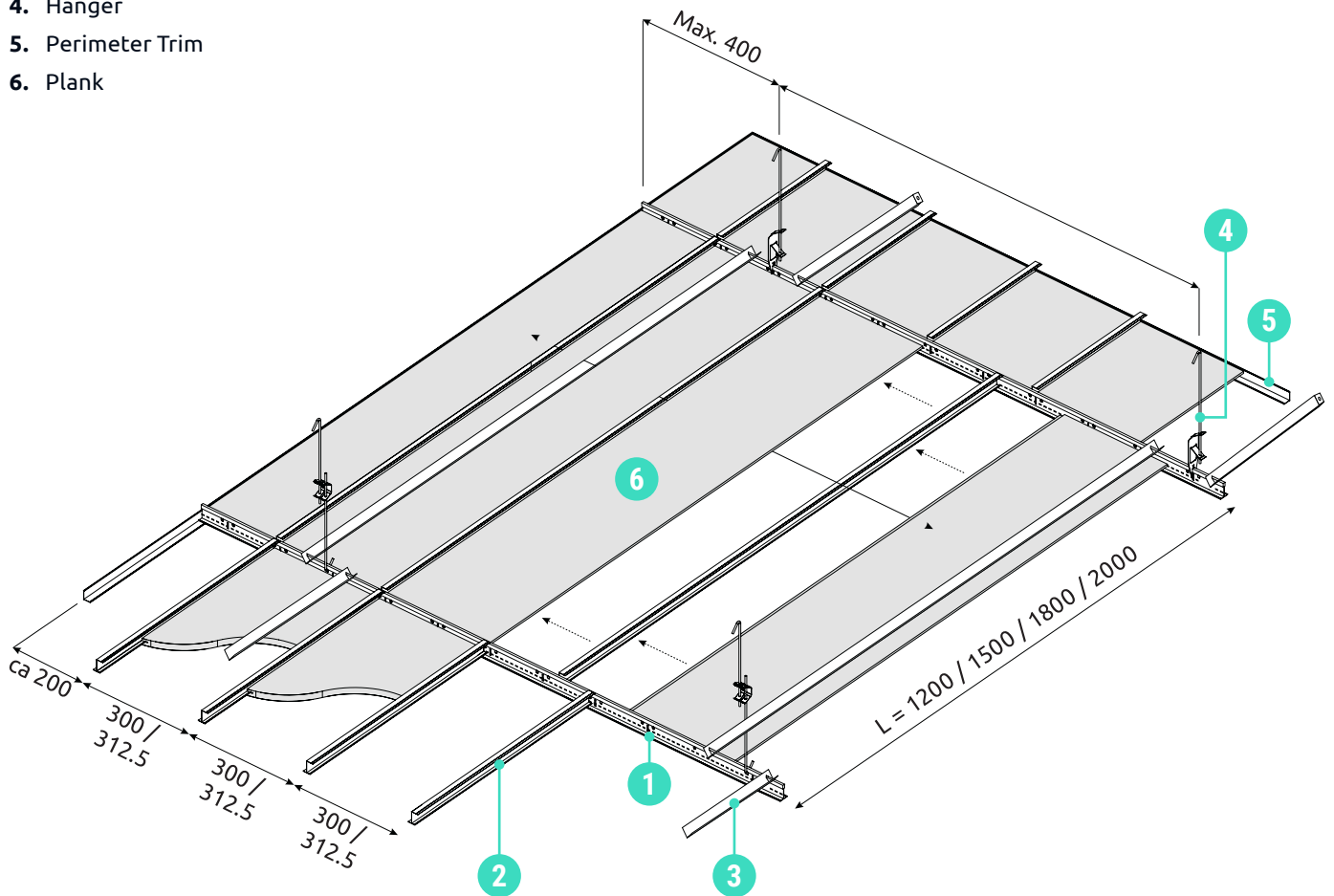


11 Room Installation

SL2 Planks Room Installation

Semi-concealed SL2

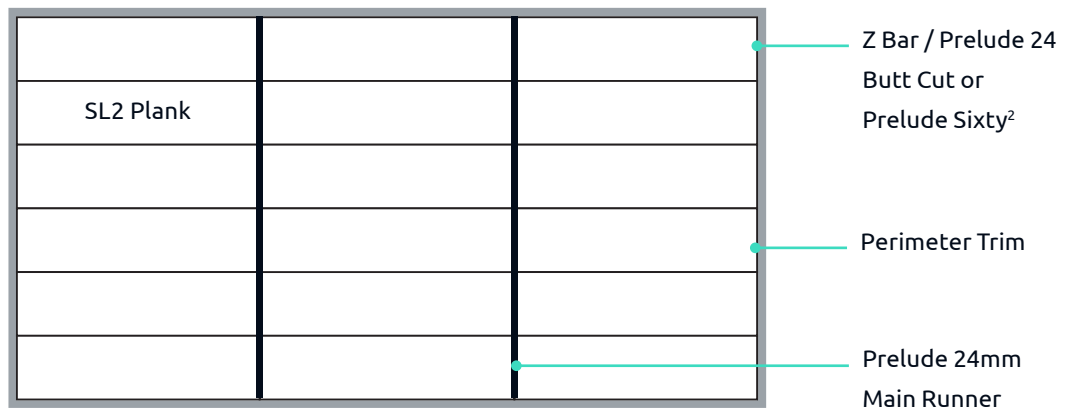
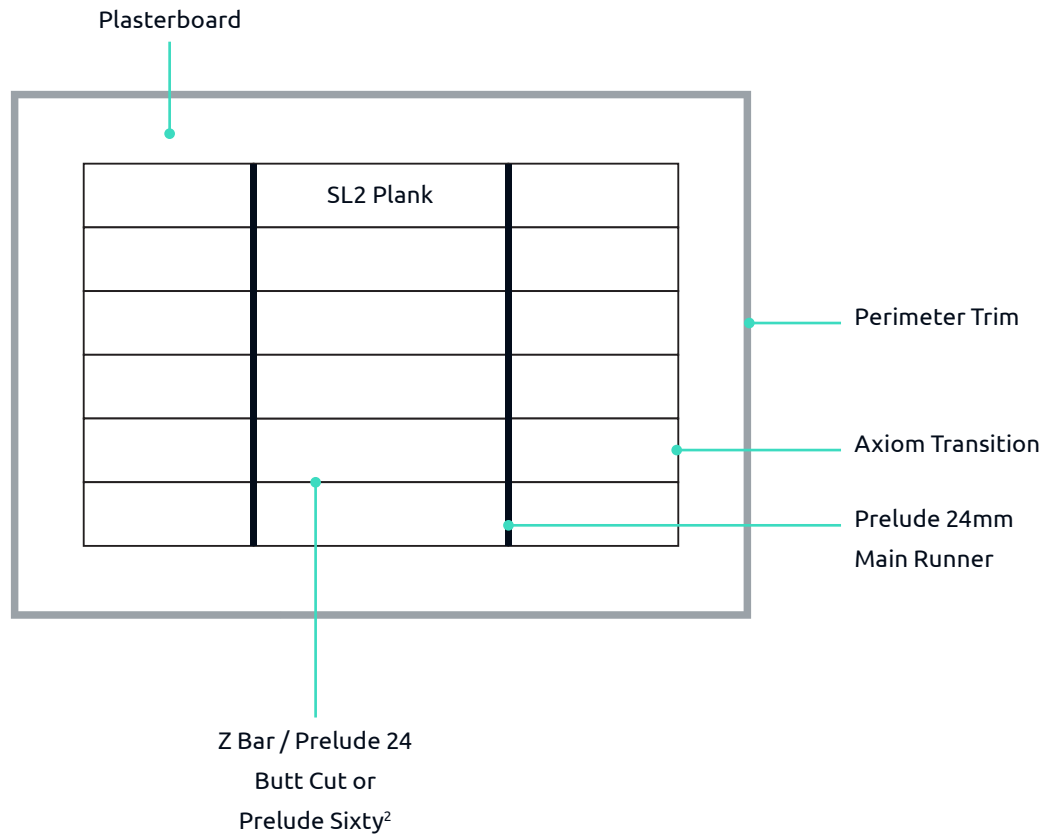
1. Main Runner
2. Z Bar*
3. Spacer Bar
4. Hanger
5. Perimeter Trim
6. Plank



*The Prelude 24 Butt Cut can be used as an alternative to the Z Bar. All measurements in millimetres. All sizes are nominal. Availability of products may vary according to location. Please contact Zentia Technical Sales for further details.

12 Room Layouts

Room Layouts

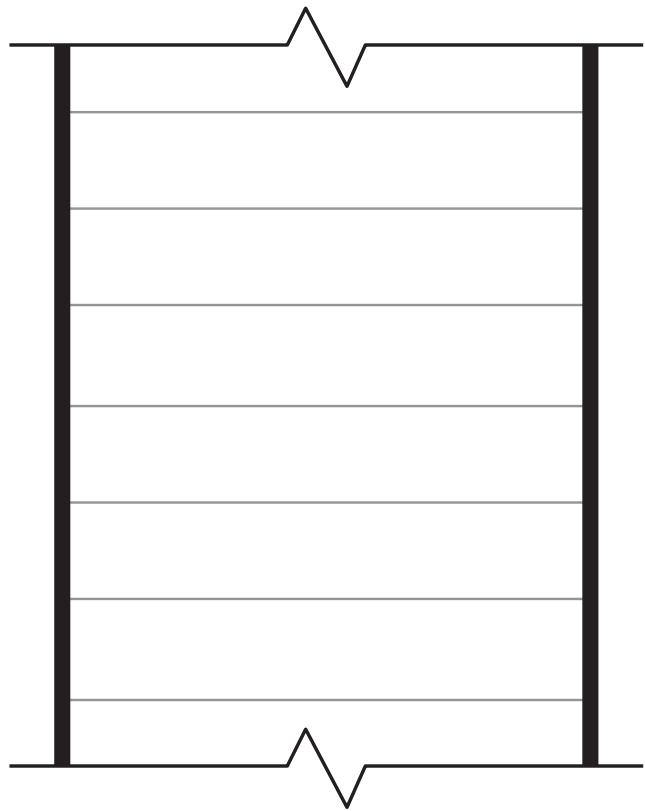


13 Corridor Installation

SL2 Planks Corridor Installation

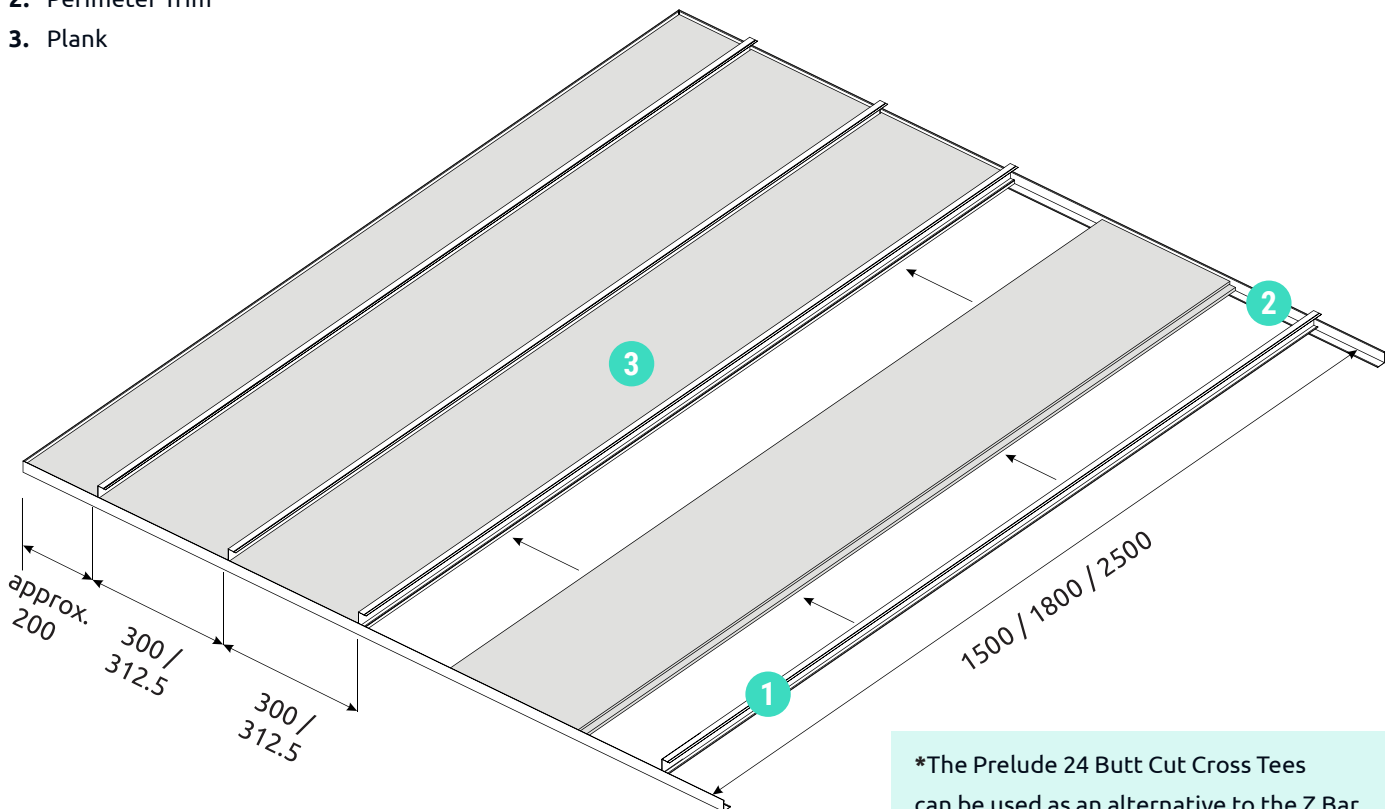
Install perimeter trims with fixings at 300mm centres. A higher gauge perimeter trim, such as BPT 2021H is recommended for corridor installations of SL2 Planks.

- // Spacer bars are not required
- // SL2 planks are then installed with a piece of 24mm main runner cut to length or use the correct length z profile (or cut to size as necessary)
- // The main runners (or Z Bars) should ideally be aligned with or close to the perimeter trim fixings to the wall

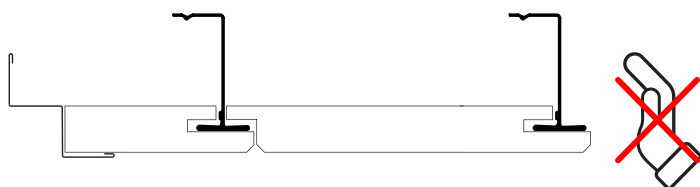


Semi-concealed SL2 Corridor Installation

1. Z Bar*
2. Perimeter Trim
3. Plank



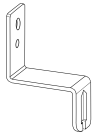
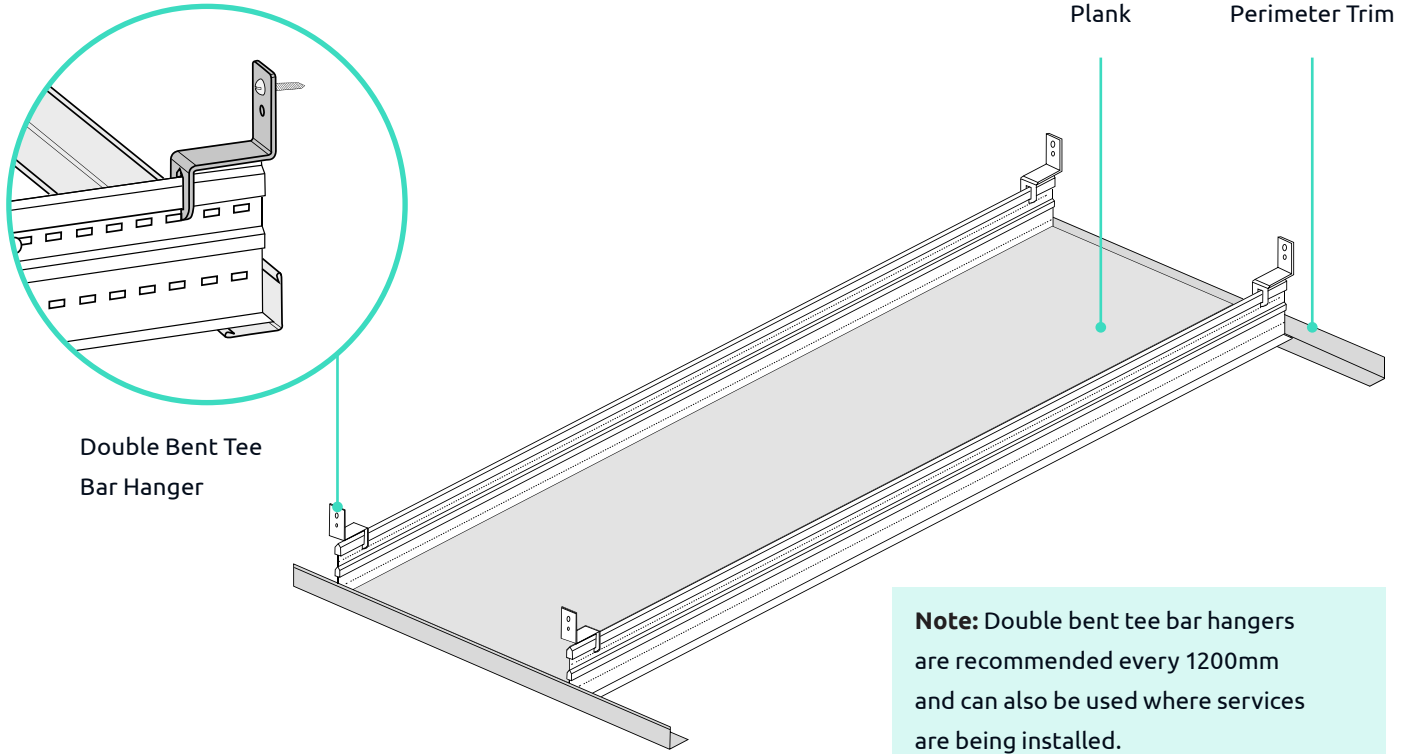
*The Prelude 24 Butt Cut Cross Tees can be used as an alternative to the Z Bar. Tiles spanning over 1800mm should be installed using Prelude Sixty².



Important Note:
Tiles should be slotted into place not pushed.

14 Corridor Installation

Double Bent Tee Bar Hanger – Wall Fixing

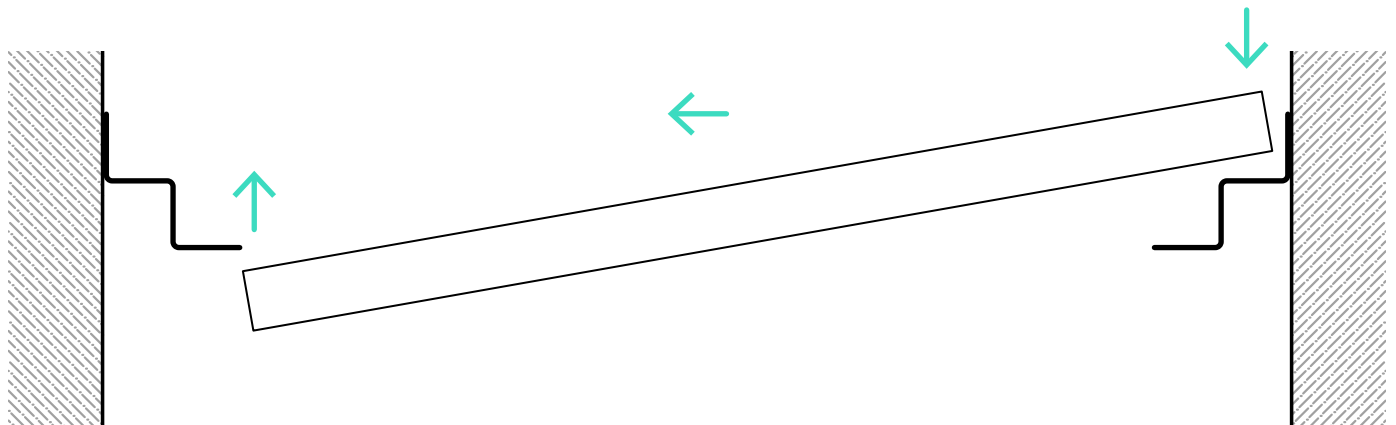


Item No.	Description	Length (mm)	Height (mm)
A WDN 23 G	Double bent tee bar hanger*	57	36

*works with L Trim and Shadowline Trim

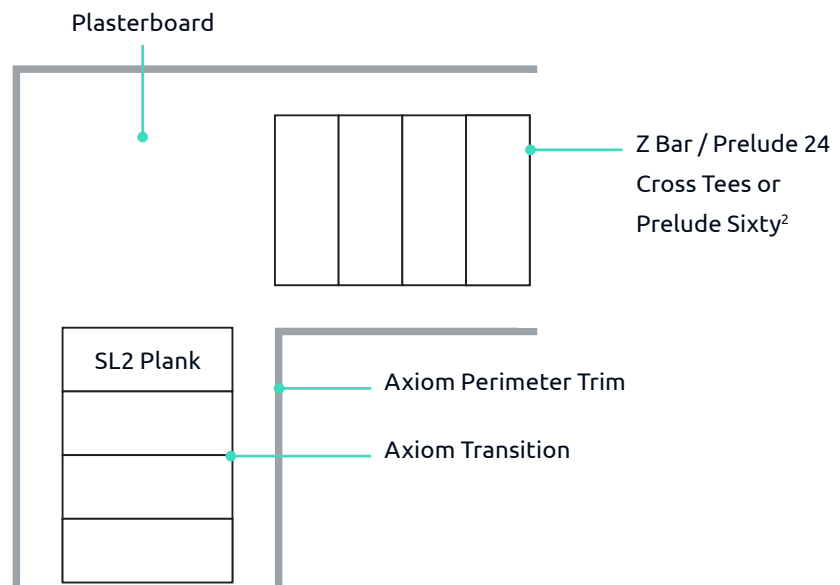
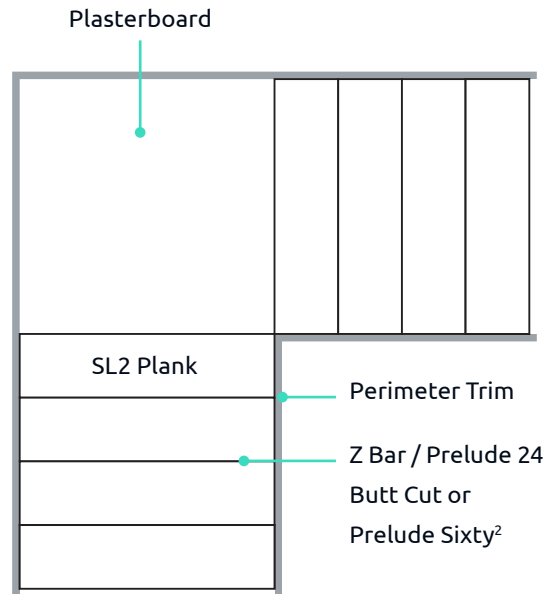
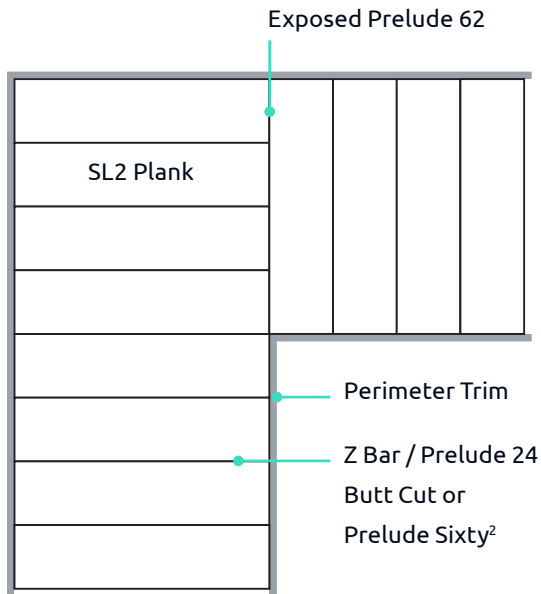
IMPORTANT NOTE:

Corridor installations require special consideration. Timber shadow battens or shadowline trims are recommended to ensure planks cannot 'fall off' the perimeter trim.



15 Corridor Layouts

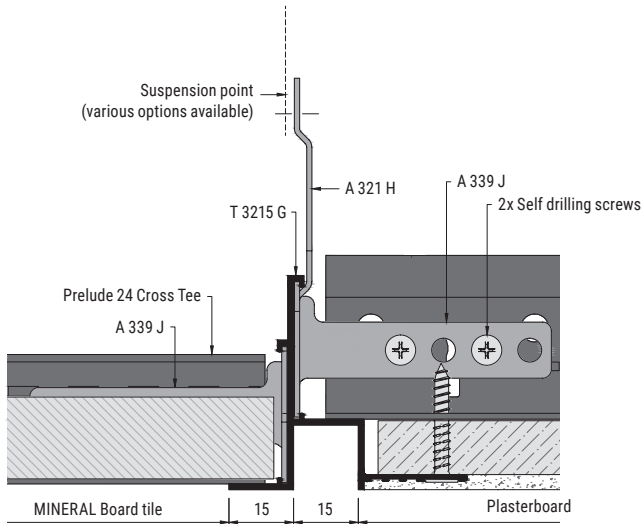
Corridor Corner Layouts



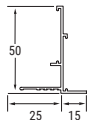
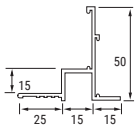
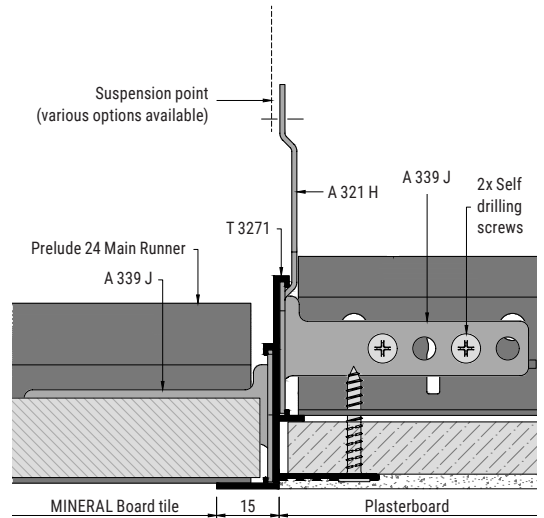
16 Axiom Transitions

Integrating Plasterboard Borders

T 3215 G



T 3271



Item No.	Description	Length (mm)	Height (mm)
T 3215 G	Axiom Transitions Shadowline Angle	3000	50
T 3271	Axiom Transitions Angle	3000	51

Advisory note:

All photographic and design elements supplied in this brochure do not necessarily reflect any recommendation by any of the companies named in this brochure as to the proper use or recommended methods of installation of suspended ceilings and are supplied as informative material. For technical reasons in printing, differences may appear between colours printed in this brochure and the actual product. The choice of colours should always be made from a sample of the product. All statements and technical information contained in this brochure, or any publication of the companies named in this brochure, relating to Zentia are based on results obtained under laboratory test conditions. It is the responsibility of the user to verify with the seller of the products in writing that such statements and information are appropriate to the specific use intended. Sales of the products and liability of the selling companies are in accordance with the terms and conditions of sale in the selling company. All product specifications are subject to modifications without prior notice.

© 2021 Zentia.