

# Axiom Profiles

Extruded aluminium sections for perimeter detailing, changes of level and lighting features.

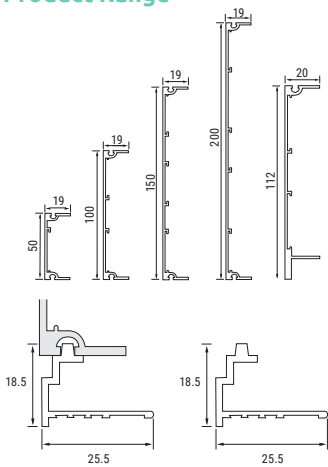
## Key Features

- // Available in 5 different heights with Axiom corner posts and universal accessories for secure and easy installation
- // Compatible with Zentia exposed ceilings grid systems including Silhouette and Interlude HRC designer grids
- // Plasterboard trims for seamless integration with plasterboard ceilings
- // Factory finished, no on-site decoration required – save time on plastering, sanding and painting
- // Ideal for perimeters / changes in level / lighting features

## Physical Data

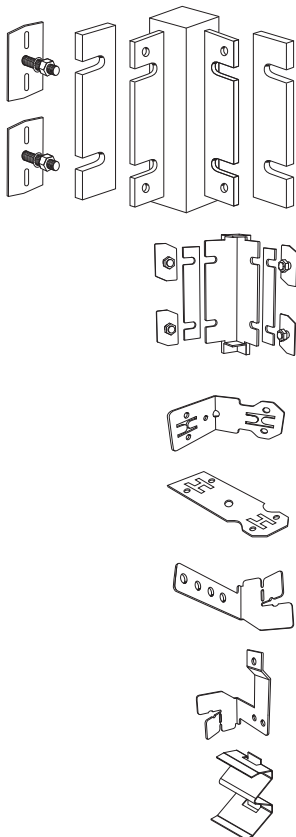
- // Material: aluminium
- // Surface finish: polyester powder paint
- // Colour: all products in Global White / RAL 9010

## Product Range



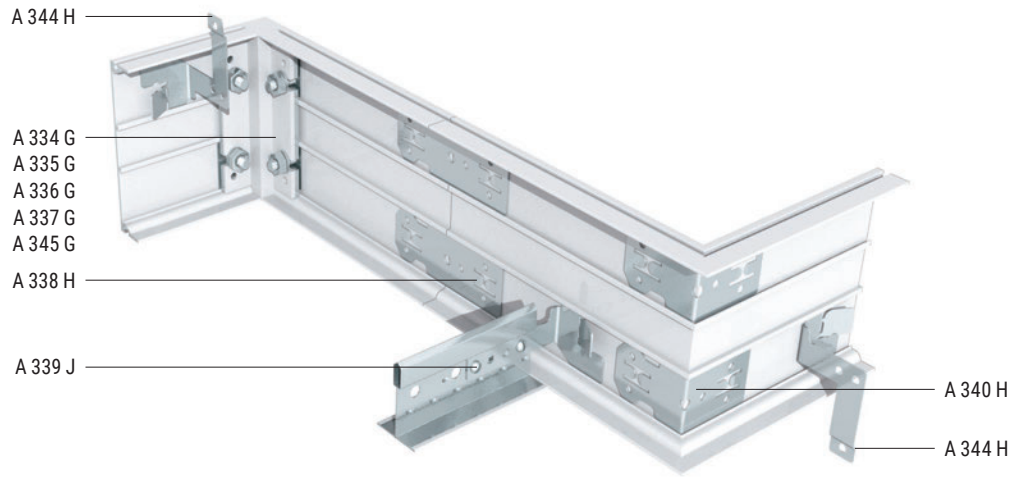
Item No.	Description	Dimensions (mm)		Standard Colours	
		Length	Height	Global White	White RAL 9010
52 42 06 G	Axiom Profiles 50mm	3000	50	•	•
54 42 06 G	Axiom Profiles 100mm	3000	100	•	•
56 42 06 G	Axiom Profiles 150mm	3000	150	•	•
58 42 06 G	Axiom Profiles 200mm	3000	200	•	•
55 14 11 G	Axiom Vector Profiles 112mm	3000	112	•	•
T 3213 H	Axiom Profiles plasterboard trim	3000	18.5	•	•

## Accessories

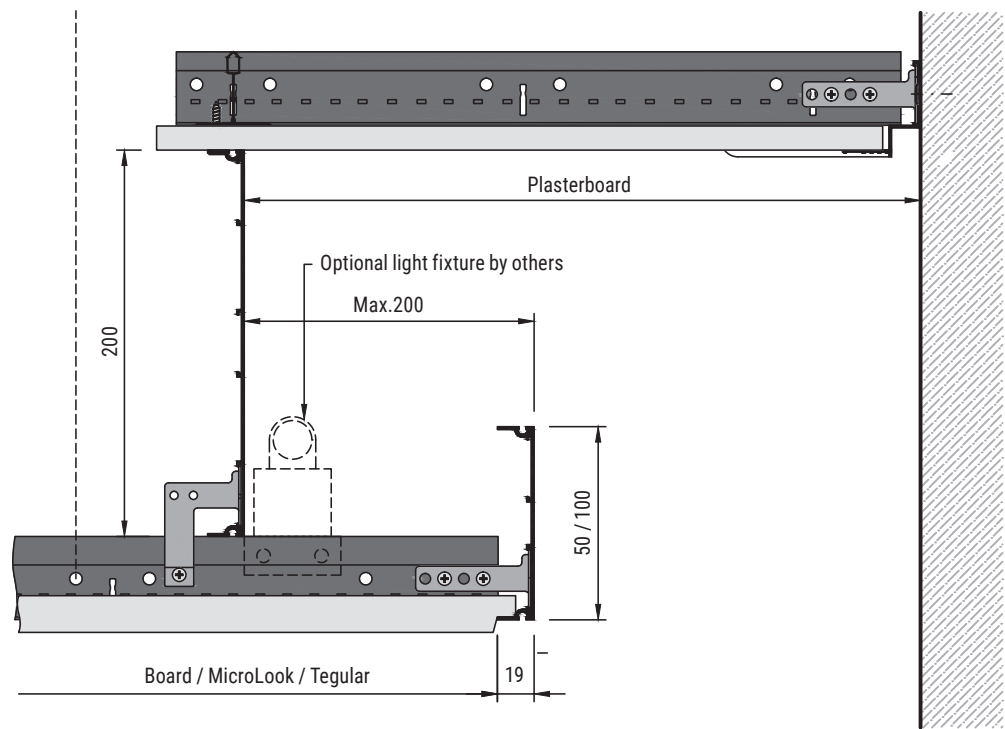


Item No.	Description	Standard Colours	
		Global White	White RAL 9010
A 334 G	Axiom Profiles corner post 50mm	•	•
A 335 G	Axiom Profiles corner post 100mm	•	•
A 336 G	Axiom Profiles corner post 150mm	•	•
A 337 G	Axiom Profiles corner post 200mm	•	•
A 345 G	Axiom Vector corner post 112mm	•	
A 340 H	Axiom Universal corner clip		
A 338 H	Axiom Universal splice plate		
A 339 J	Axiom Universal T bar connector clip		
A 344 H	Axiom Universal hanging clip		
A 7935	Axiom Universal hold down clip for cut metal tiles		

**System Drawing**



**Concealed Lighting Detail**



**Sustainability**



A+



EN 13964  
E1

**Fire Reaction**



EEA Euroclass A2-s1, d0  
EN 13501-1

**Performances & Features**



**30 Year System Guarantee**

**Custom Options**



Dimensions

