

Axiom Transitions

Extruded aluminium sections to provide a seamless transition between plasterboard margins and suspended ceilings.

Key Features

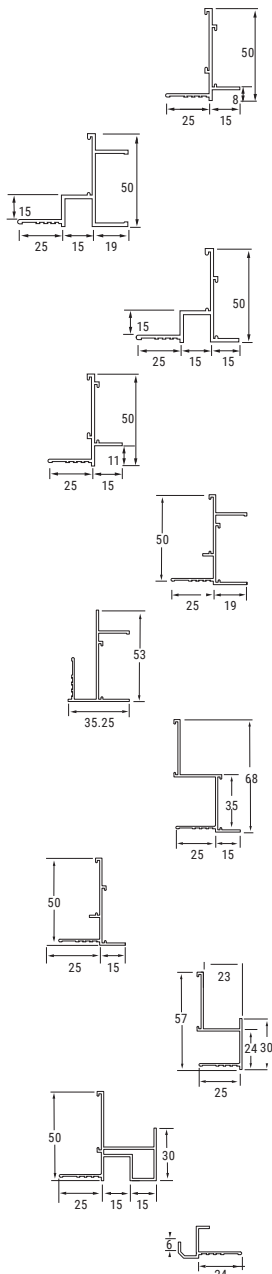
- // 12 sections designed for compatibility with different edge details using Axiom universal accessories for secure and easy installation
- // Compatible with Zentia exposed ceiling grid systems including Silhouette and Interlude HRC designer grids
- // Plasterboard jointing flange for seamless integration with plasterboard ceilings

- // Application Areas: perimeters

Physical Data

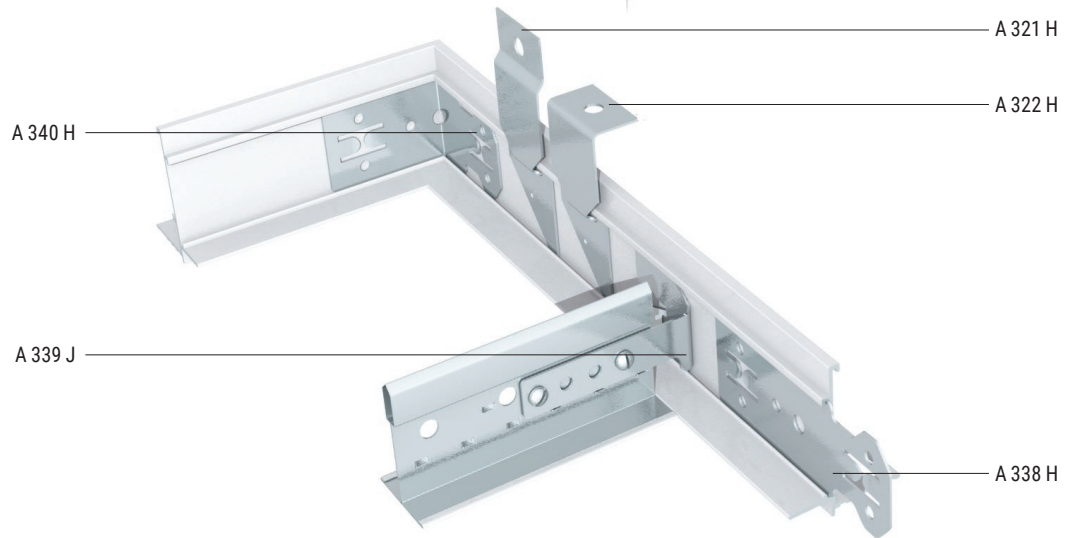
- // Material: aluminium
- // Surface finish: polyester powder painted
- // Color: Global White / RAL 9010
- // Other colours available upon request

Product Range

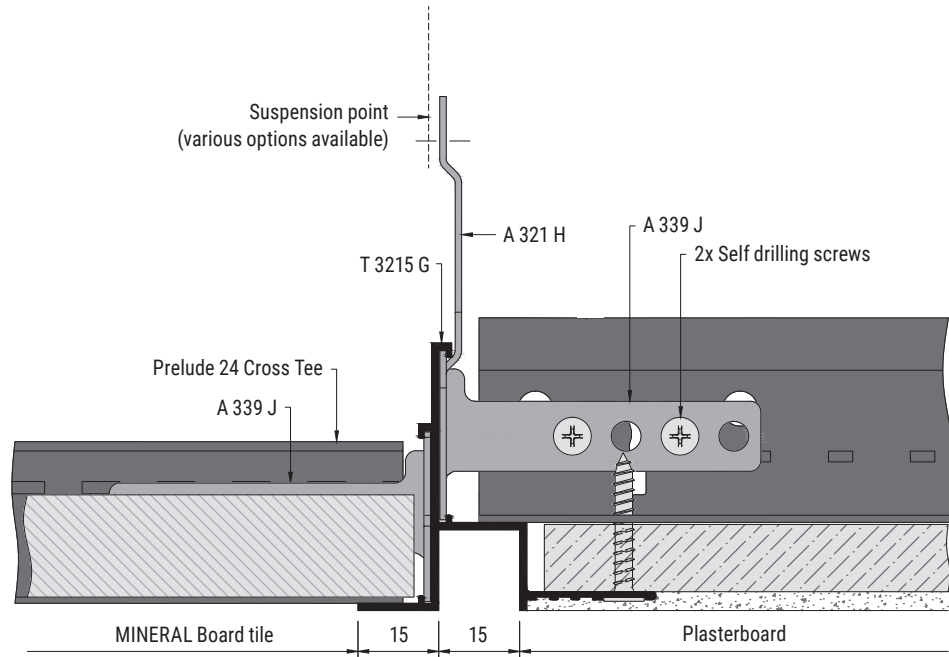


Item No.	Description	Dimensions (mm)		Standard Colours	
		Length	Height	Global White	White RAL 9010
T 3208 G	Axiom Transitions for Tegular/MicroLook	3000	50	•	•
T 3219 G	Axiom Transitions shadowline channel	3000	50	•	•
T 3215 G	Axiom Transitions shadowline angle	3000	50	•	•
T 3210 G	Axiom Transitions for Vector tiles	3000	50	•	•
T 3228	Axiom Transitions channel	3000	50	•	•
T 3230	Axiom Transitions upstand channel 13mm board	3000	53	•	•
T 3273	Axiom Transitions angle with offset 25mm	3000	68	•	•
T 3271	Axiom Transitions angle	3000	51	•	•
T 3272	Axiom Transitions Channel for hook on metal tiles	3000	57	•	•
T 3276	Axiom Transitions Shadowline for hook on metal tiles	3000	51	•	•
T 3277	Axiom Transitions for Clip in metal tiles	3000	18	•	•

System Drawing



Cross Section



Sustainability



A+



EN 13964
E1

Fire Reaction



EEA Euroclass A2-s1, d0
EN 13501-1

Other Performances & Features



30 Year
System
Guarantee

Custom Options



Dimensiones

