

Installation Guide

Gridline 15 / Gridline 24 / Gridline CR / Gridline NT+
Mineral Board / Tegular24 / Integra



Summary


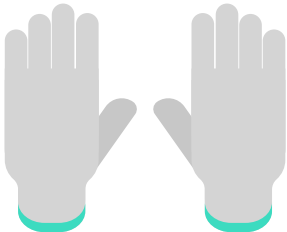
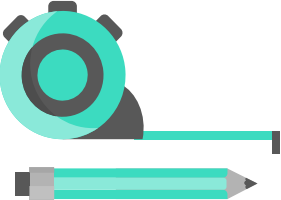


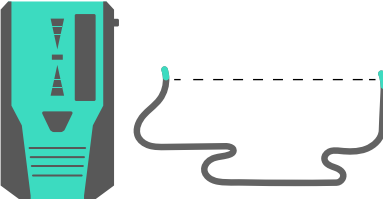


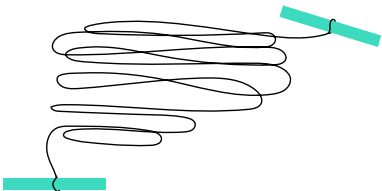
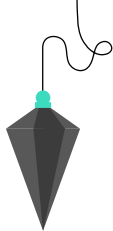
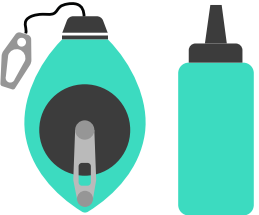
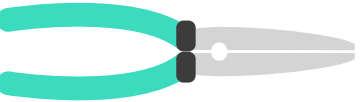
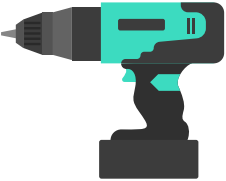

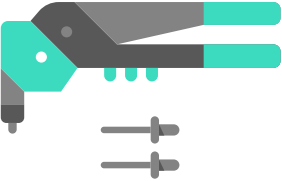
- 1 Tools required
- 2 Room layout
- 3 Perimeter trim installation
- 4 Top fixings & hangers
- 5 Main Runner installation
- 6 Cross Tee installation
- 7 Full size tile installation
- 8 Cut tile installation
- 9 Disassembly



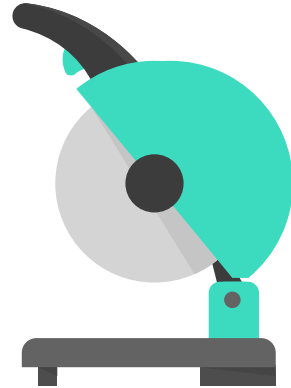
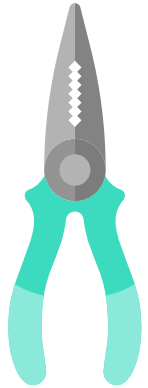
1 Tools required



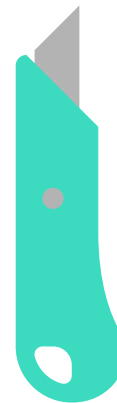
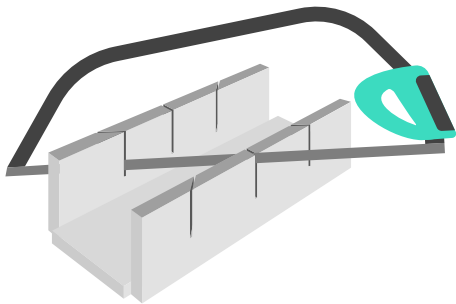
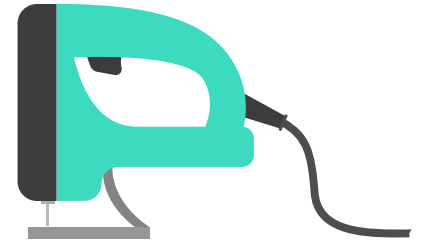
General tools

1.2 Grid tools



1.3 Tile tools

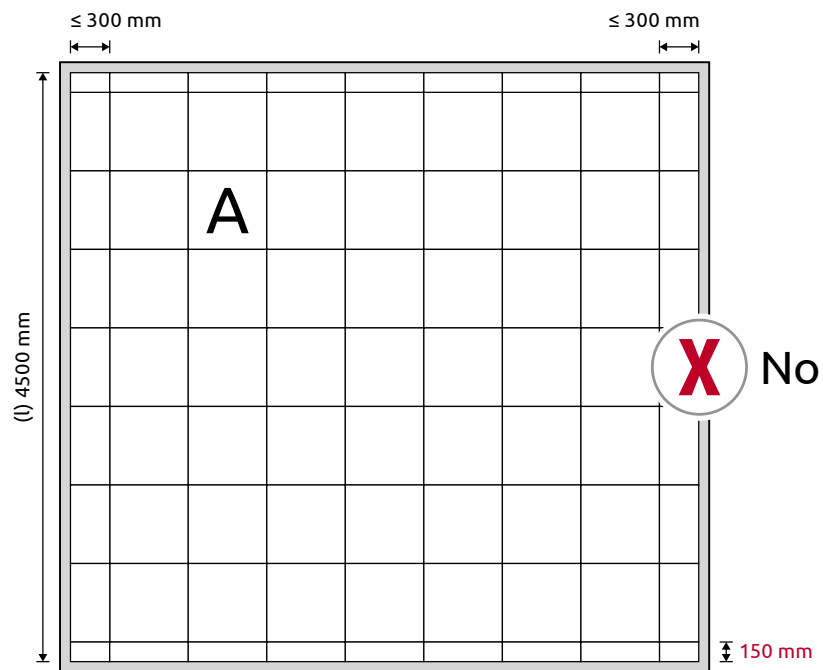


2 Room Layout



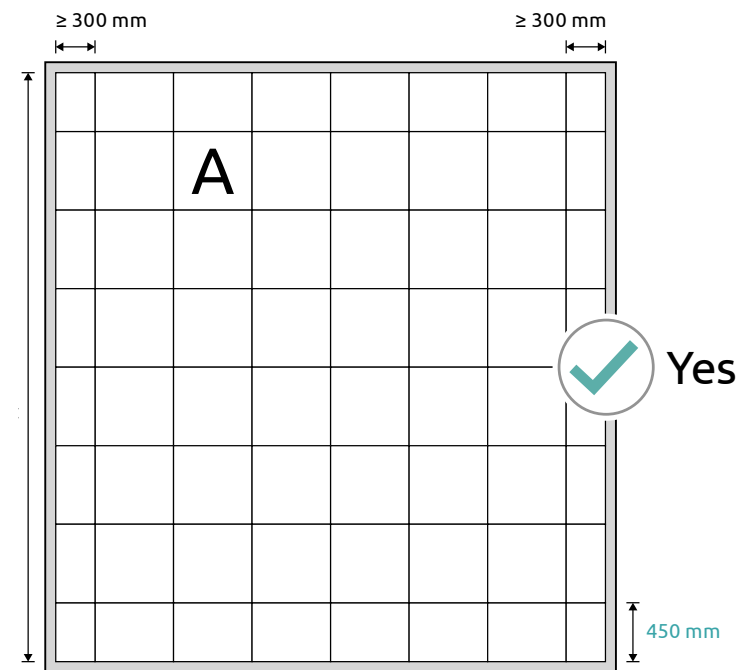
Planning the layout

2.1



A : 600 x 600 mm

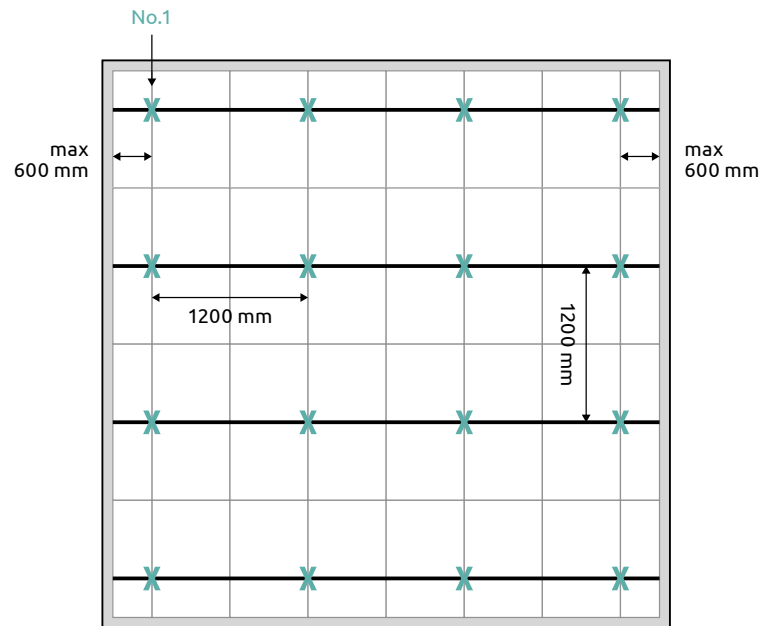
$$4500 \text{ (l)} / 600 = 600 \times 7 + 150 \times 2$$



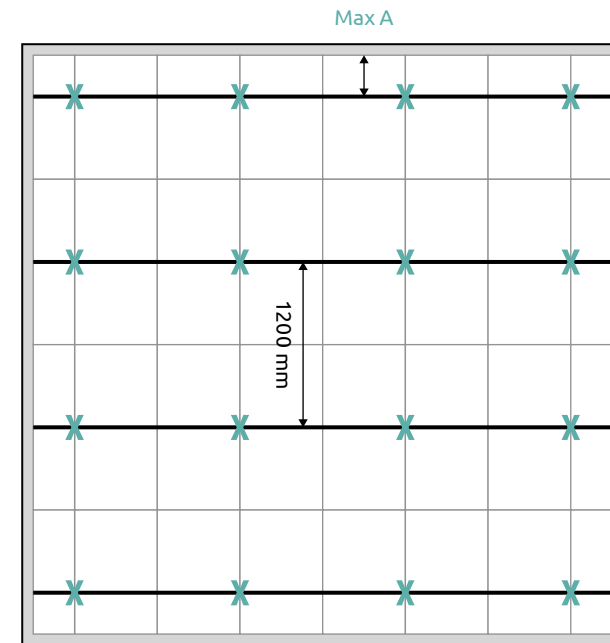
A : 600 x 600 mm

$$4500 \text{ (l)} / 600 = 600 \times 6 + 450 \times 2$$

2.2 First hanger location



2.3 Direction of the Main Runners



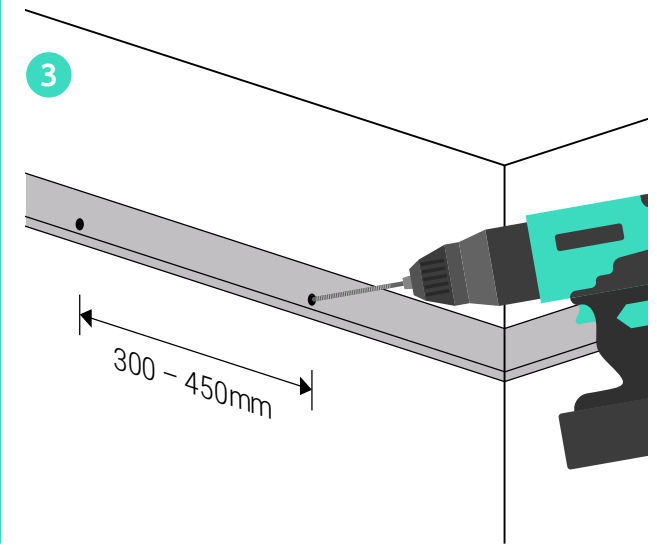
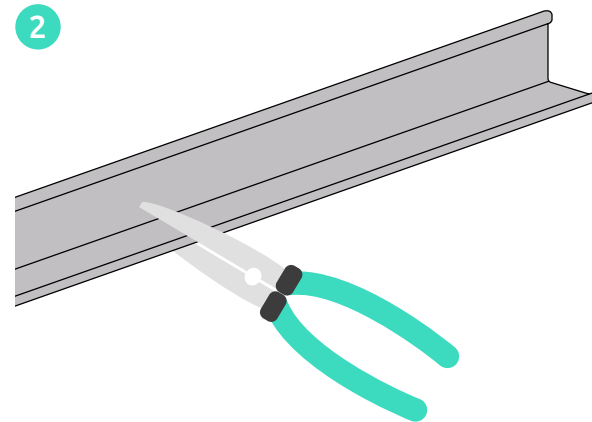
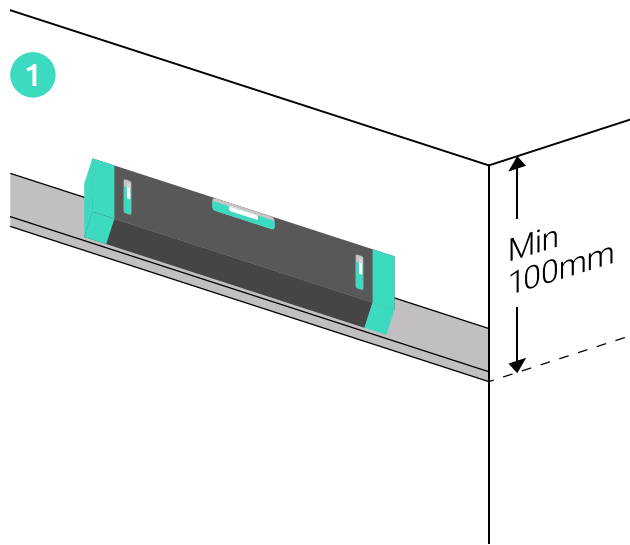
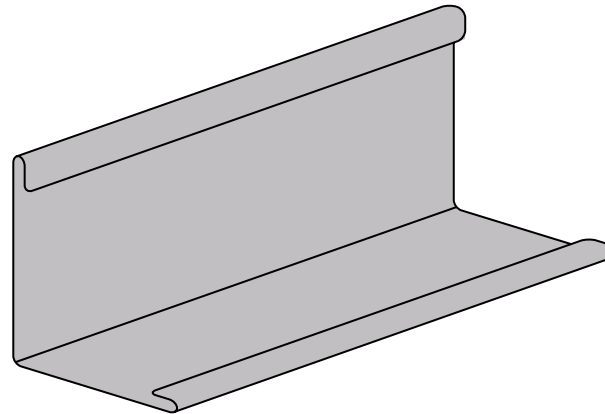
*For alternative hanger and main runner spacing, please contact ITS on 0800 371 849

3 Perimeter trim installation



Angle trim installation

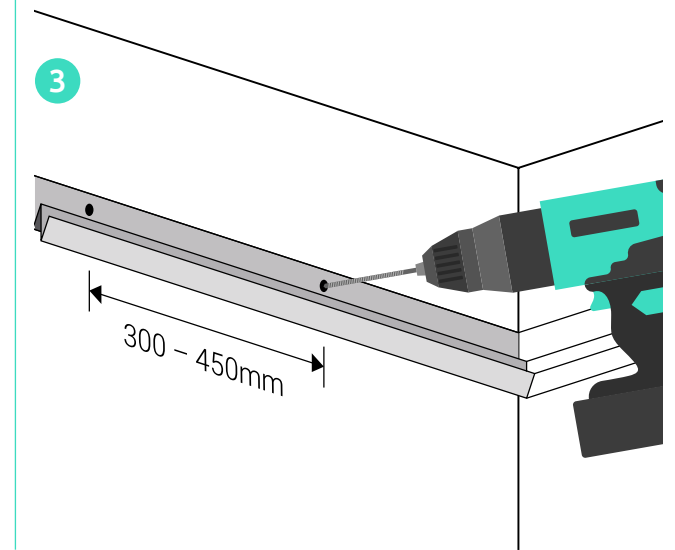
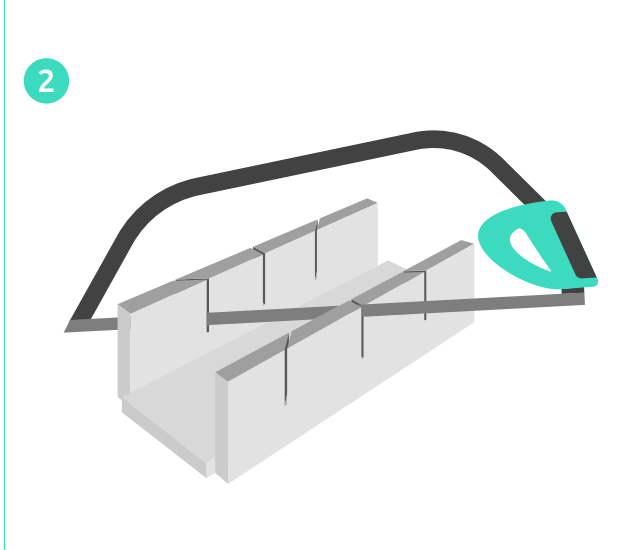
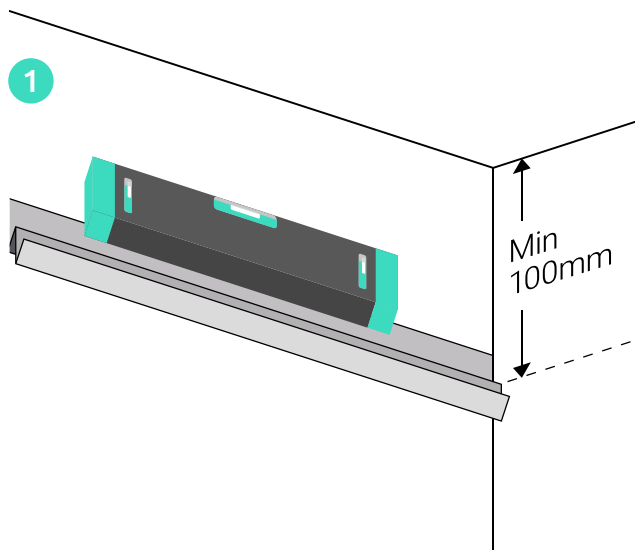
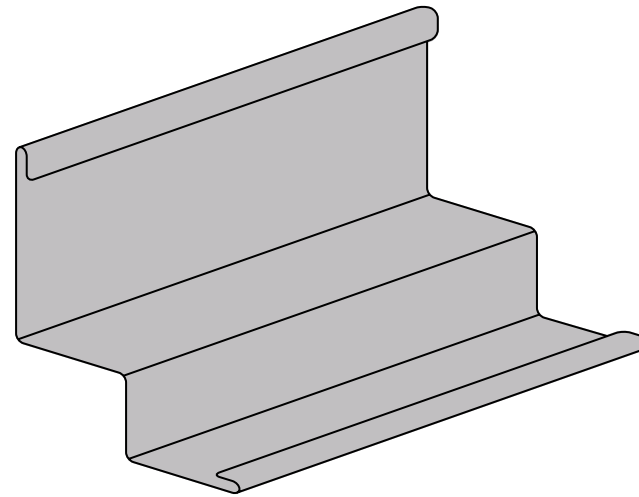
3.1



*Fixing centres may vary with tile weight and national code of practice, please contact ITS on 0800 371 849

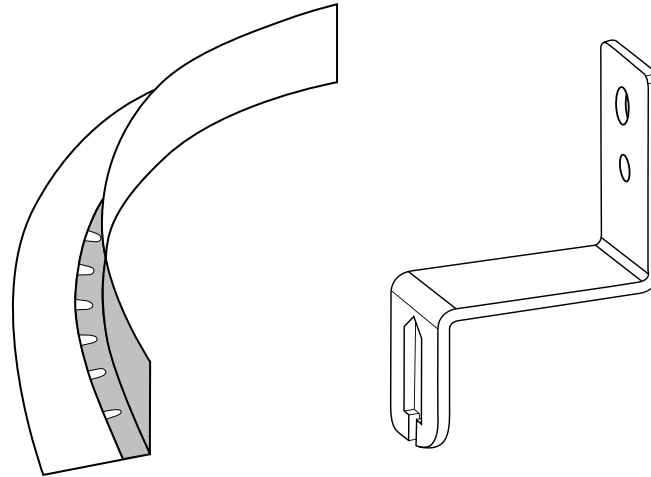
Shadowline installation

3.2

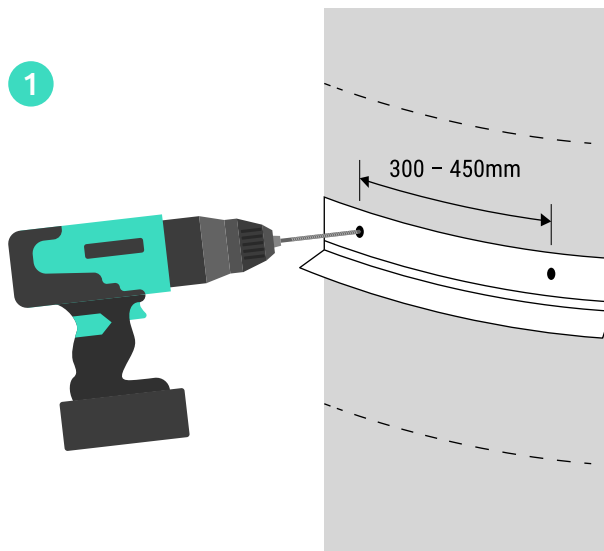


*Fixing centres may vary with tile weight and national code of practice, please contact ITS on 0800 371 849

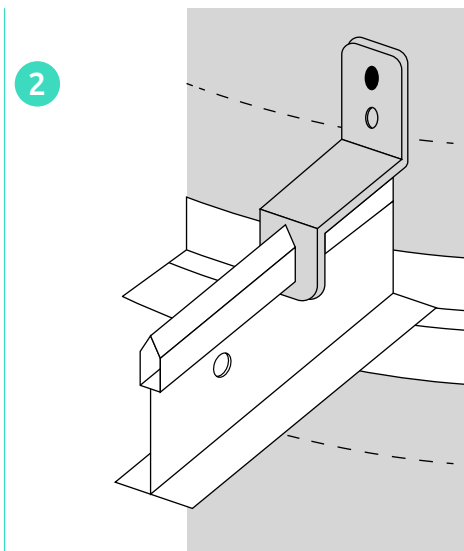
Flexible perimeter trim installation



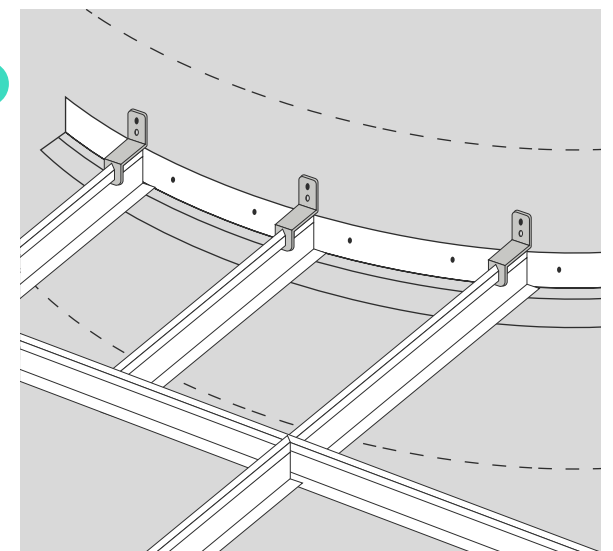
1



2



3



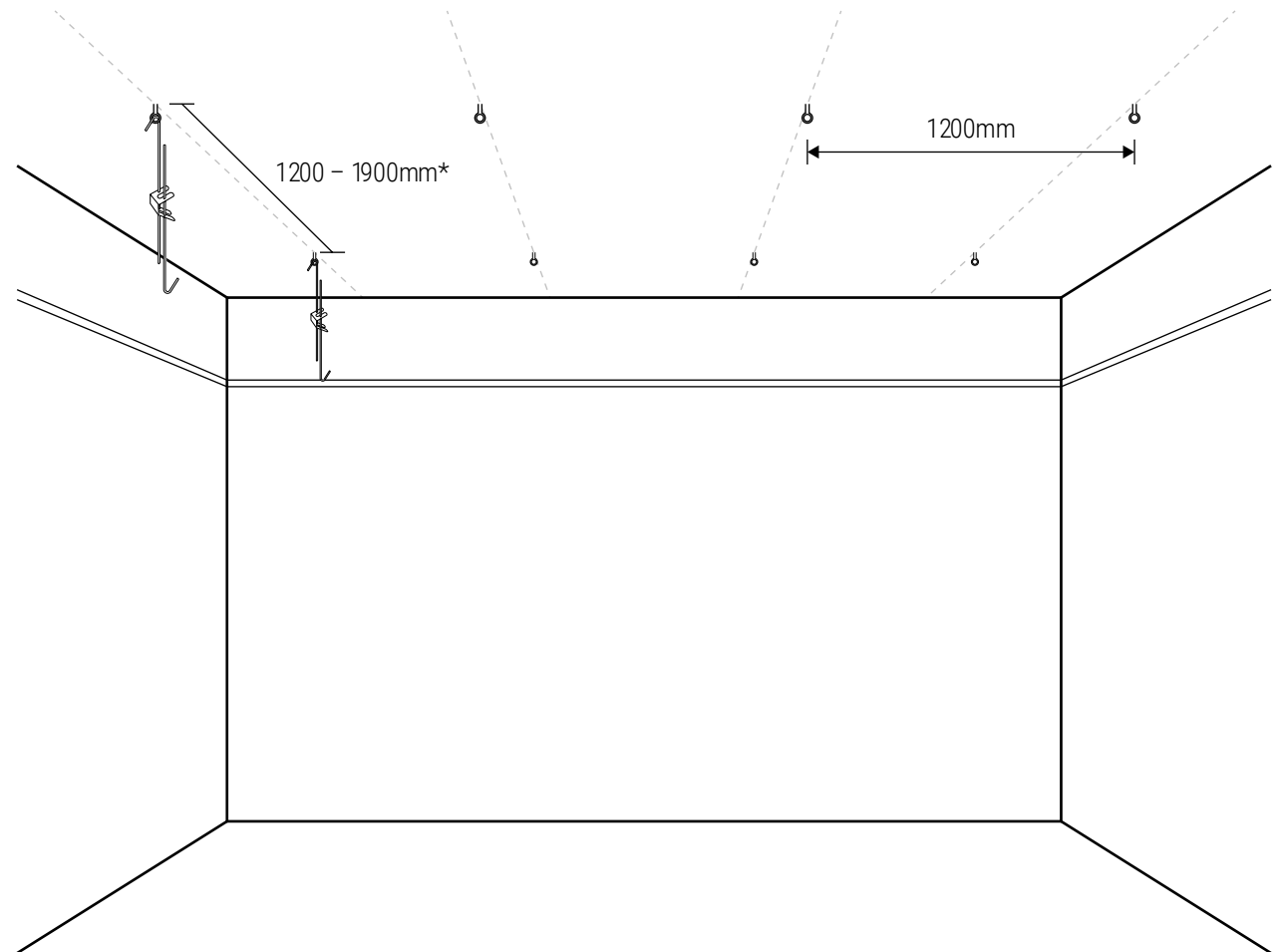
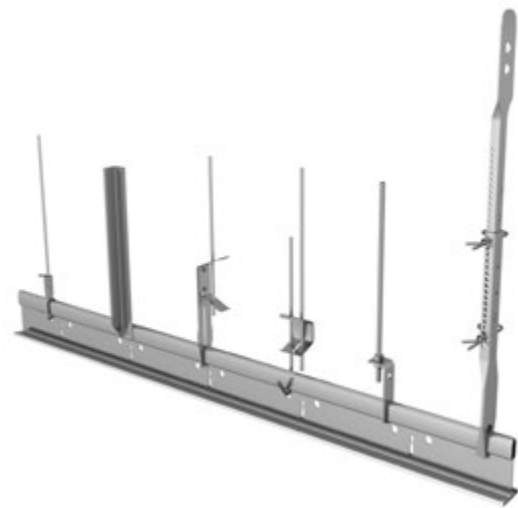
*Tighter radii will require smaller fixing centres. First fixings max. 50mm from ends of trim

4 Top fixings & hangers



Gridline Butt Cut / Joggled installation

4.1



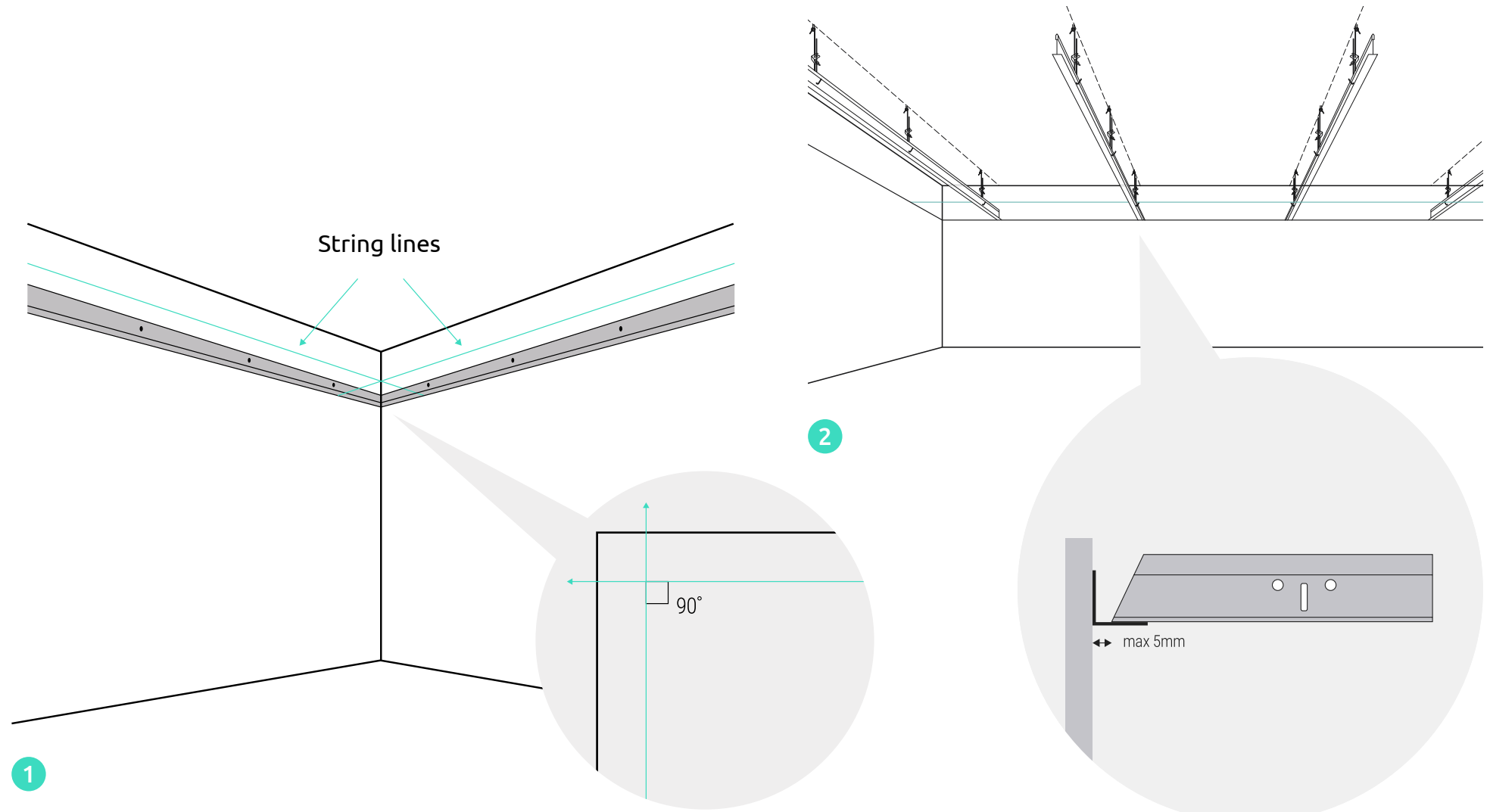
*Hanger and Main Runner centres can vary depending on the tile weight and national code of practice. Please contact ITS on 0800 371 849

5 Main Runner installation

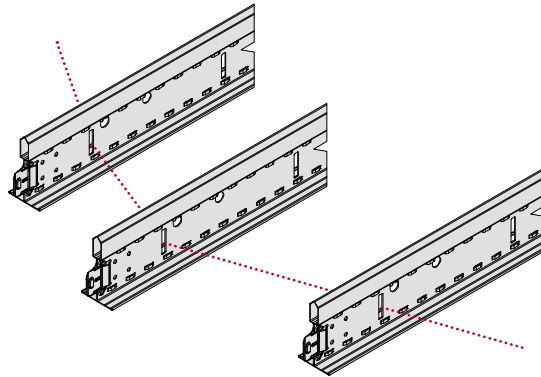


First Main Runner location

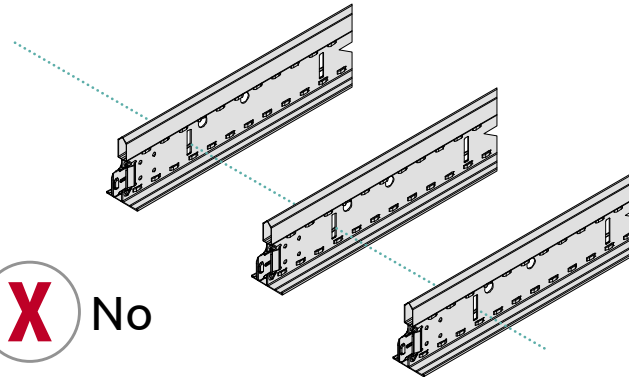
5.1



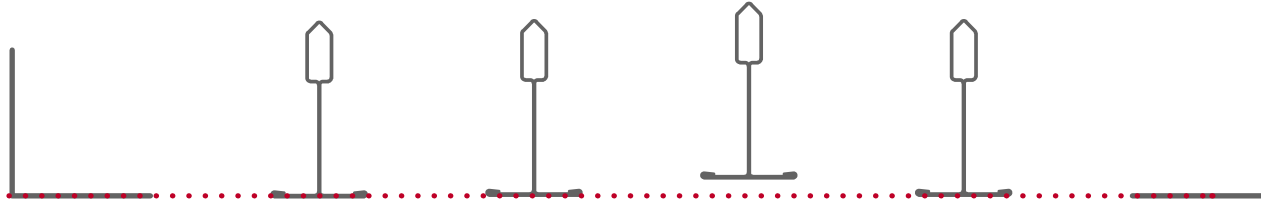
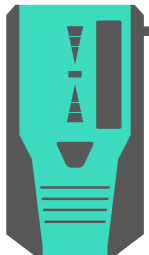
Main Runner alignment



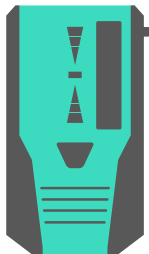
X No



✓ Yes



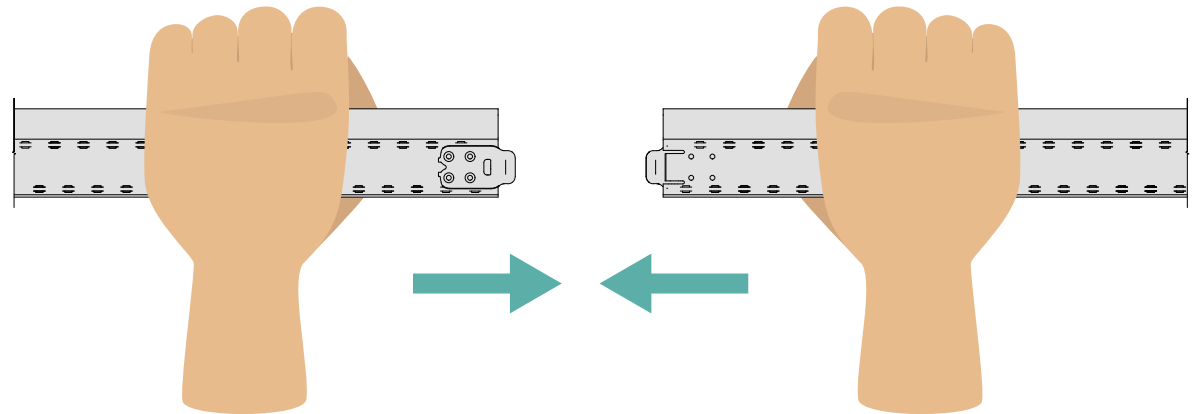
X No



✓ Yes

Joining Main Runners

- 1 Gridline 24
Butt Cut / Joggled

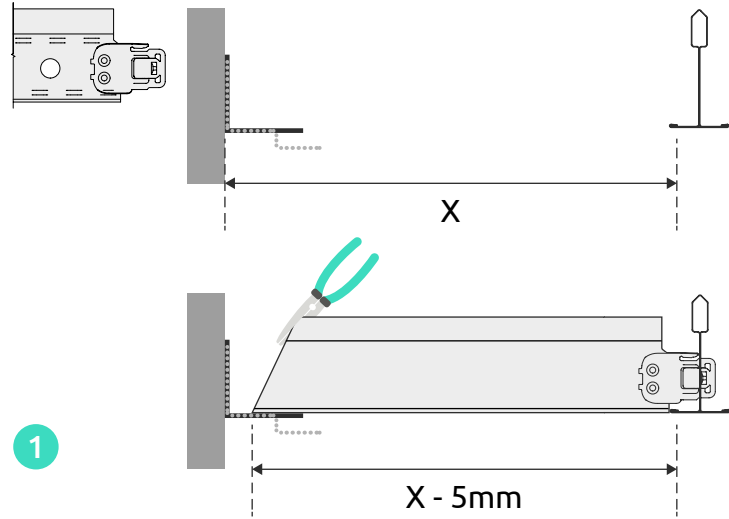


6 Cross Tee installation

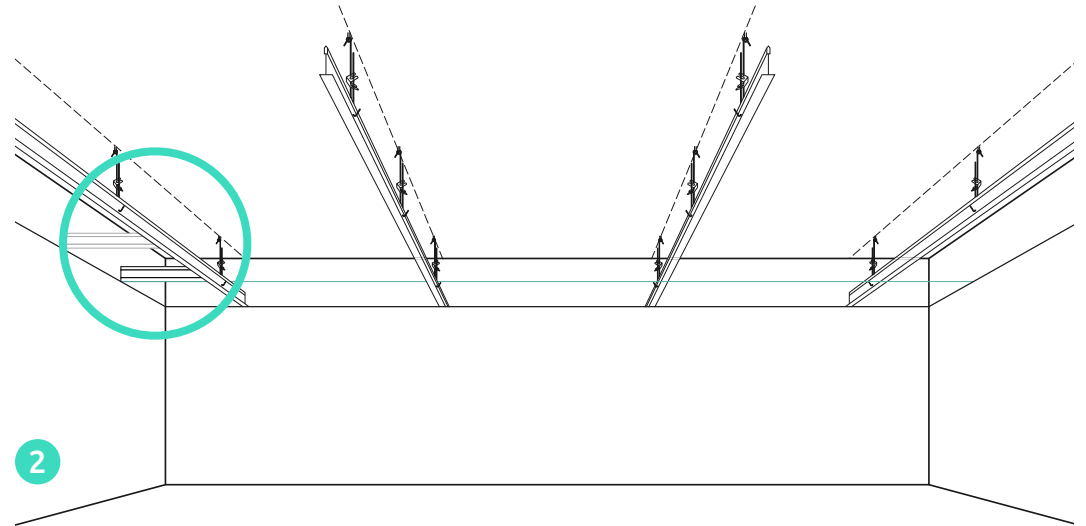


Butt Cut

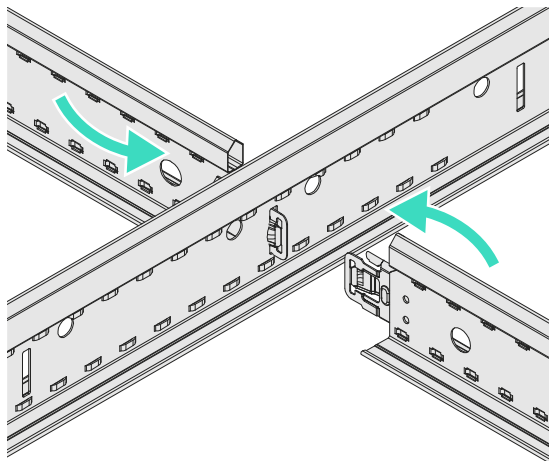
6.1



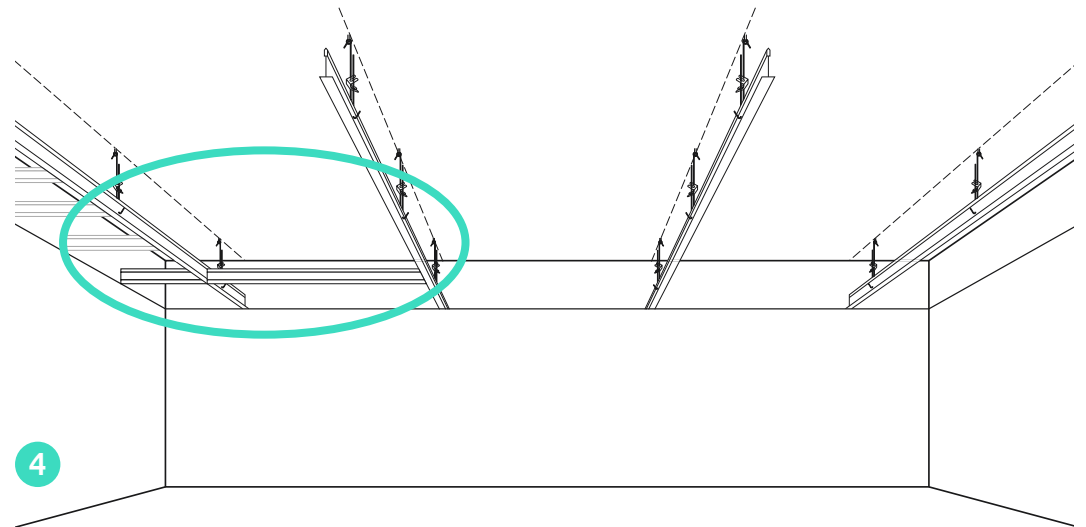
1



2



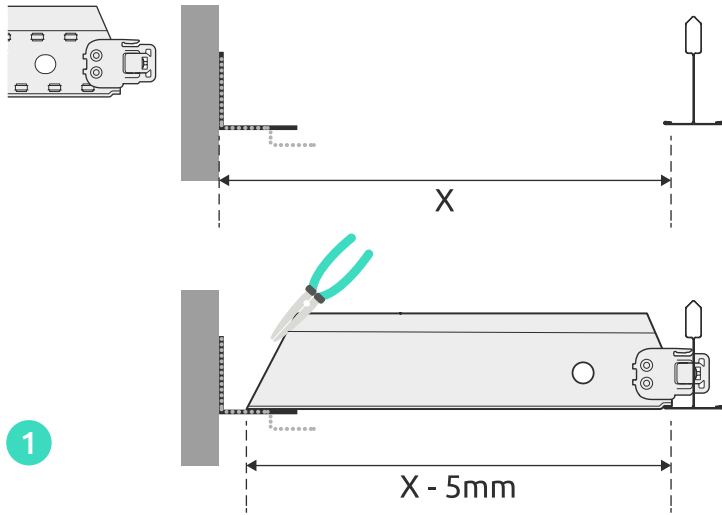
3



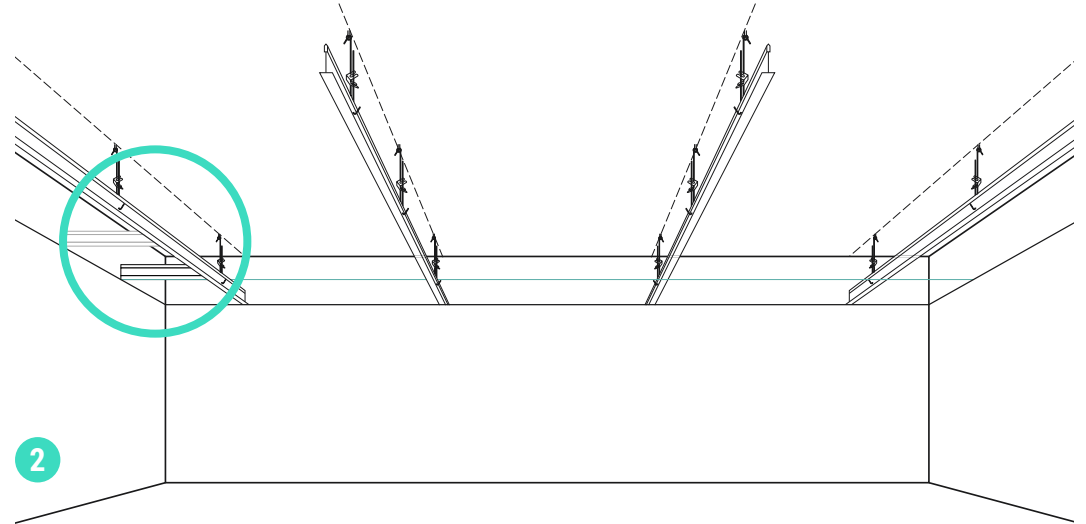
4

Joggled

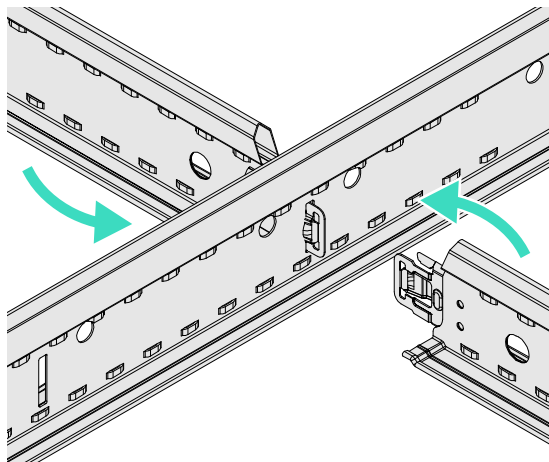
6.2



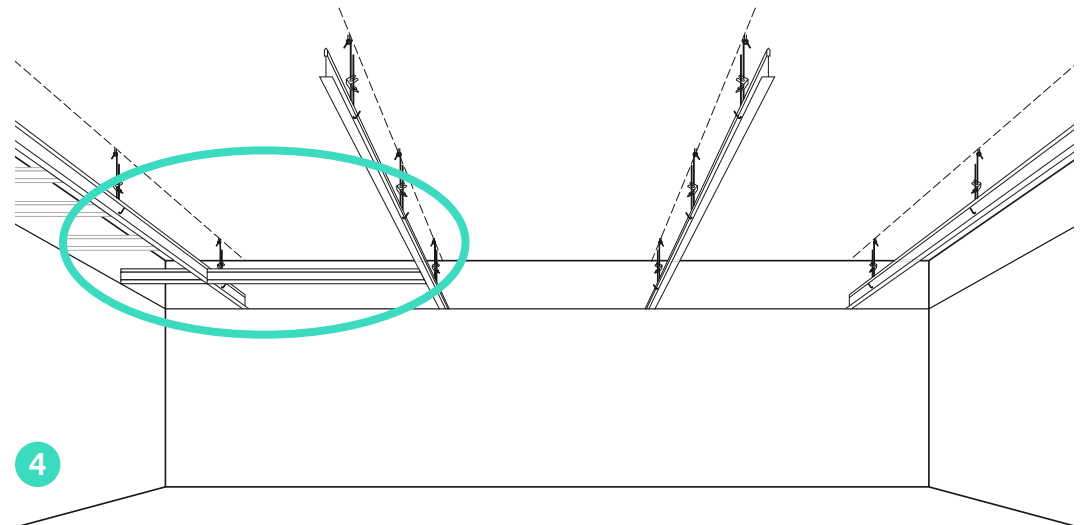
1



2



3



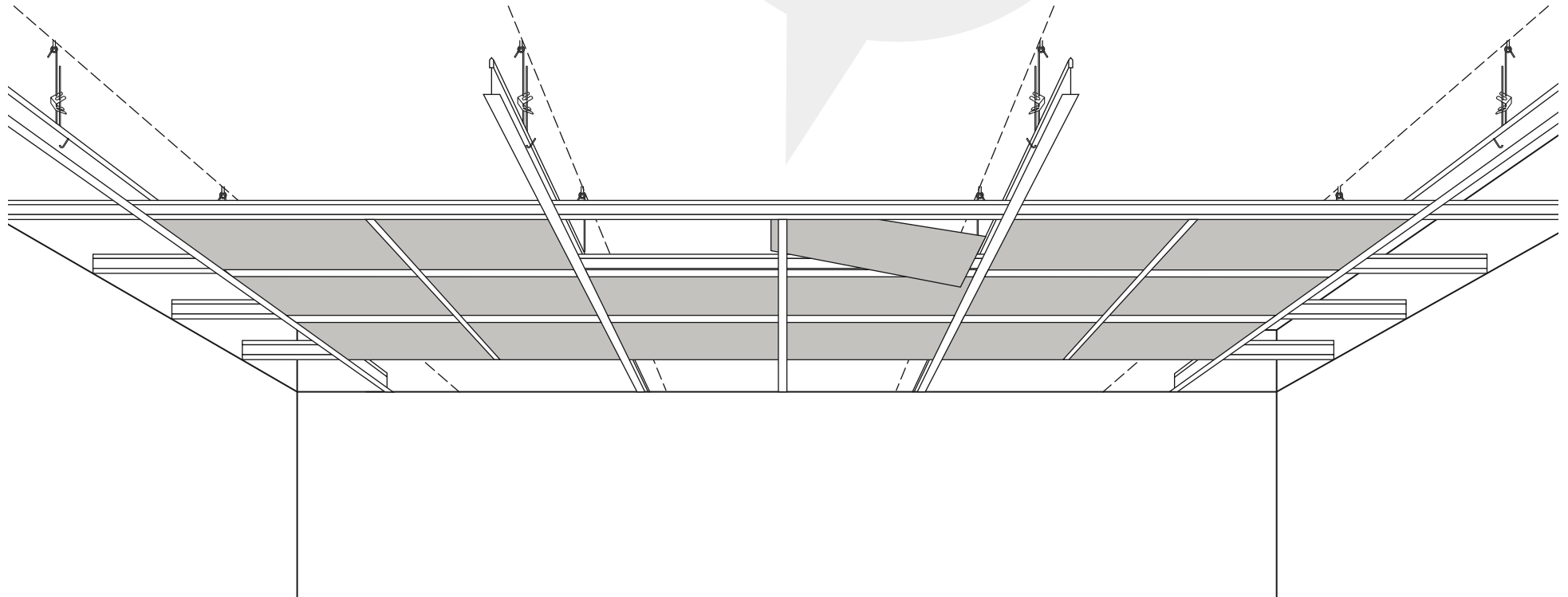
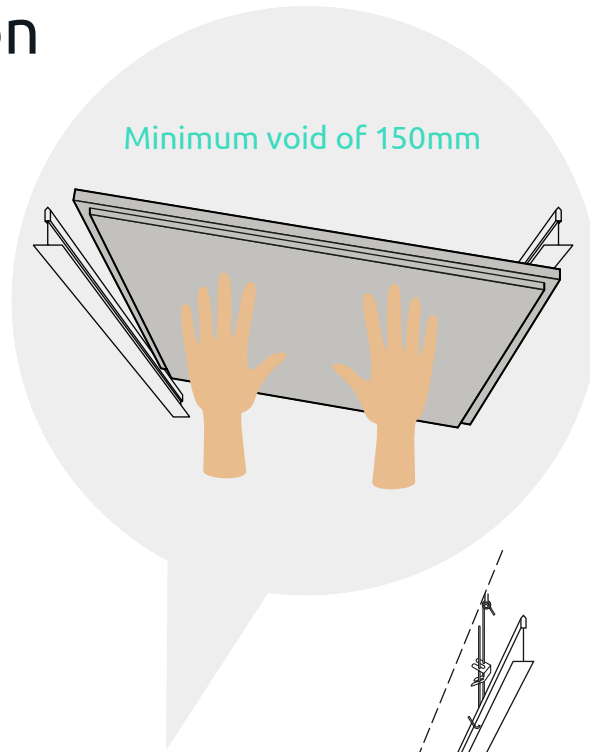
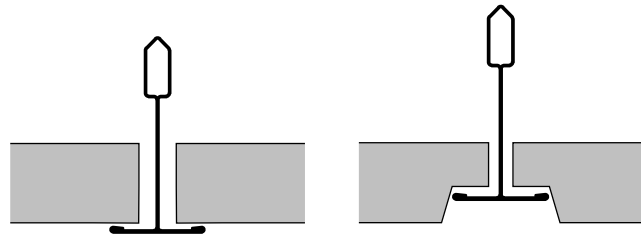
4

7 Full size tile installation



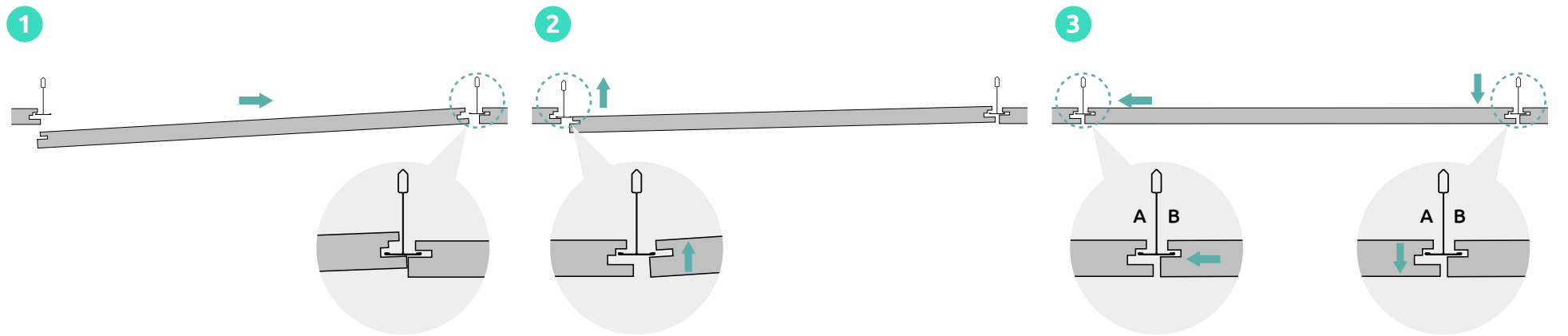
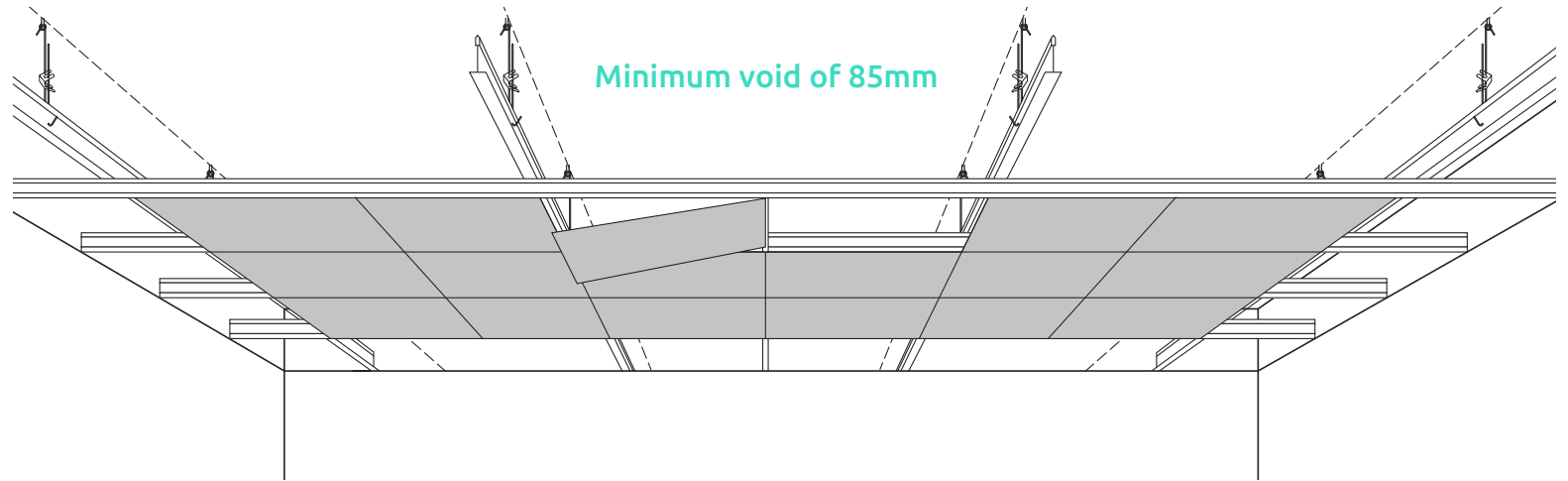
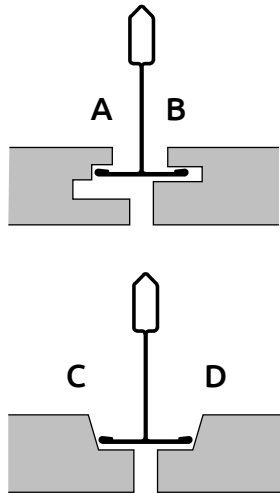
Board / Tegular24 installation

7.1



Integra installation

7.2



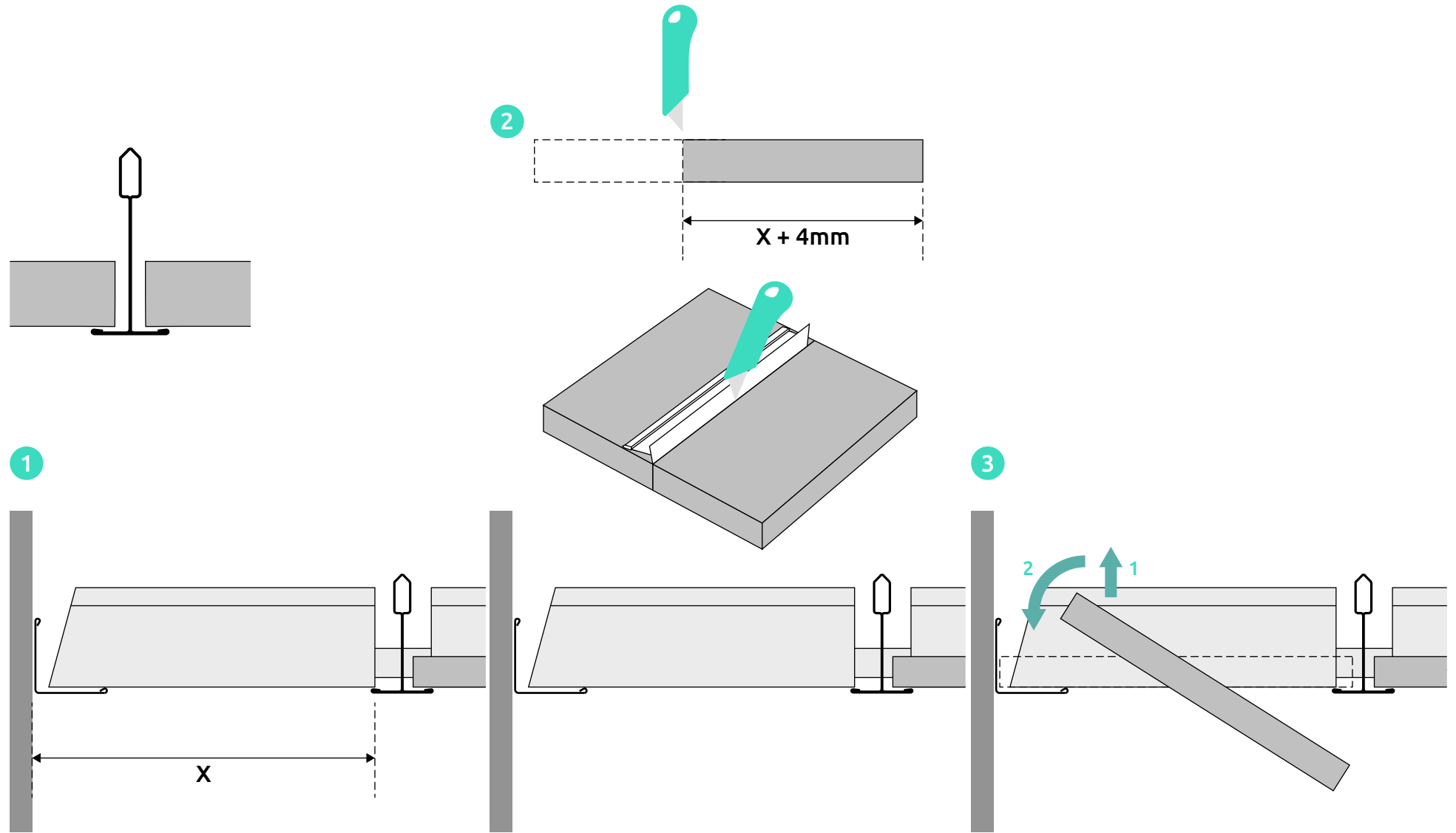
*All the tiles must be installed in the same direction

8 Cut tile installation



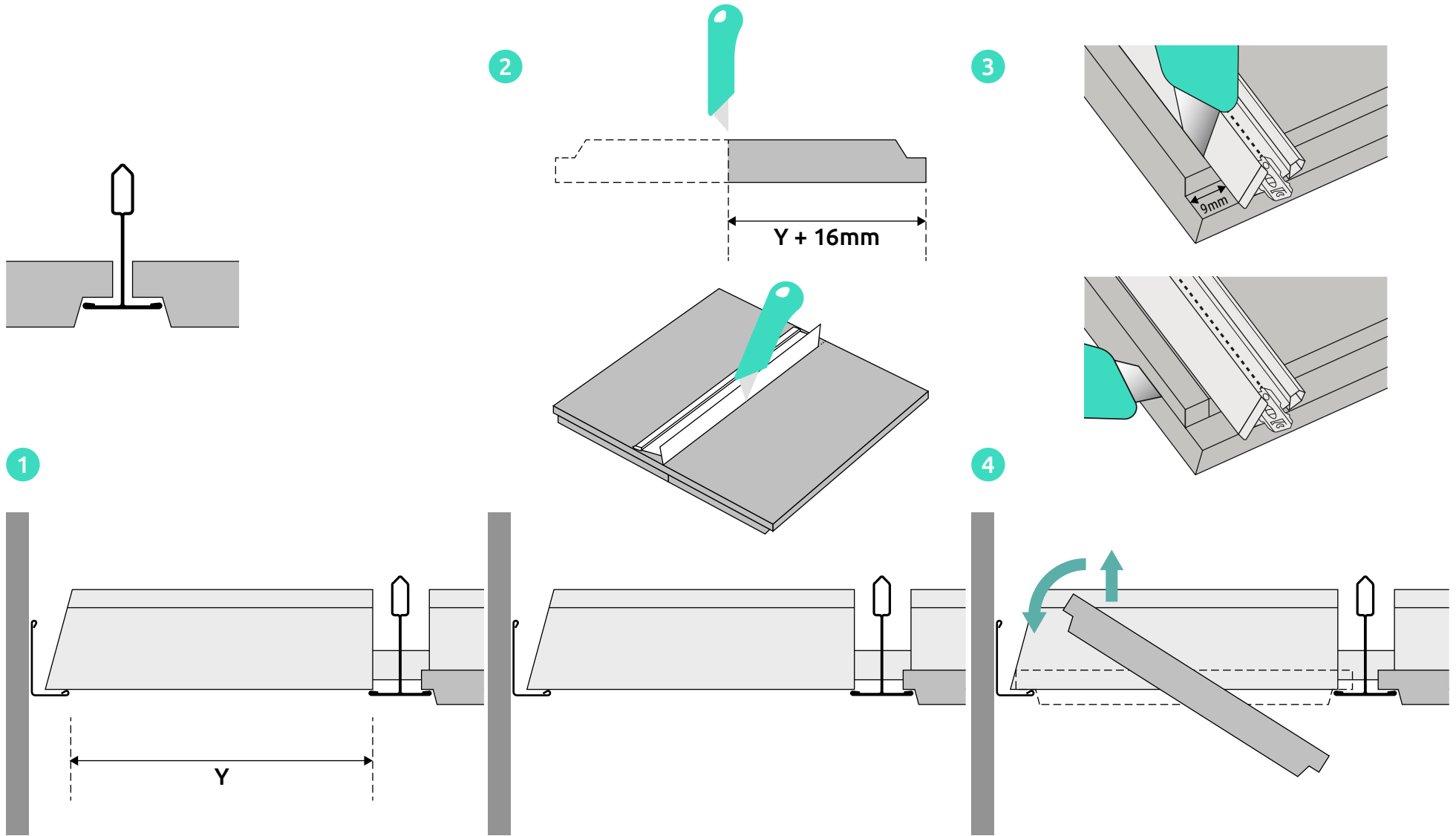
Board

8.1

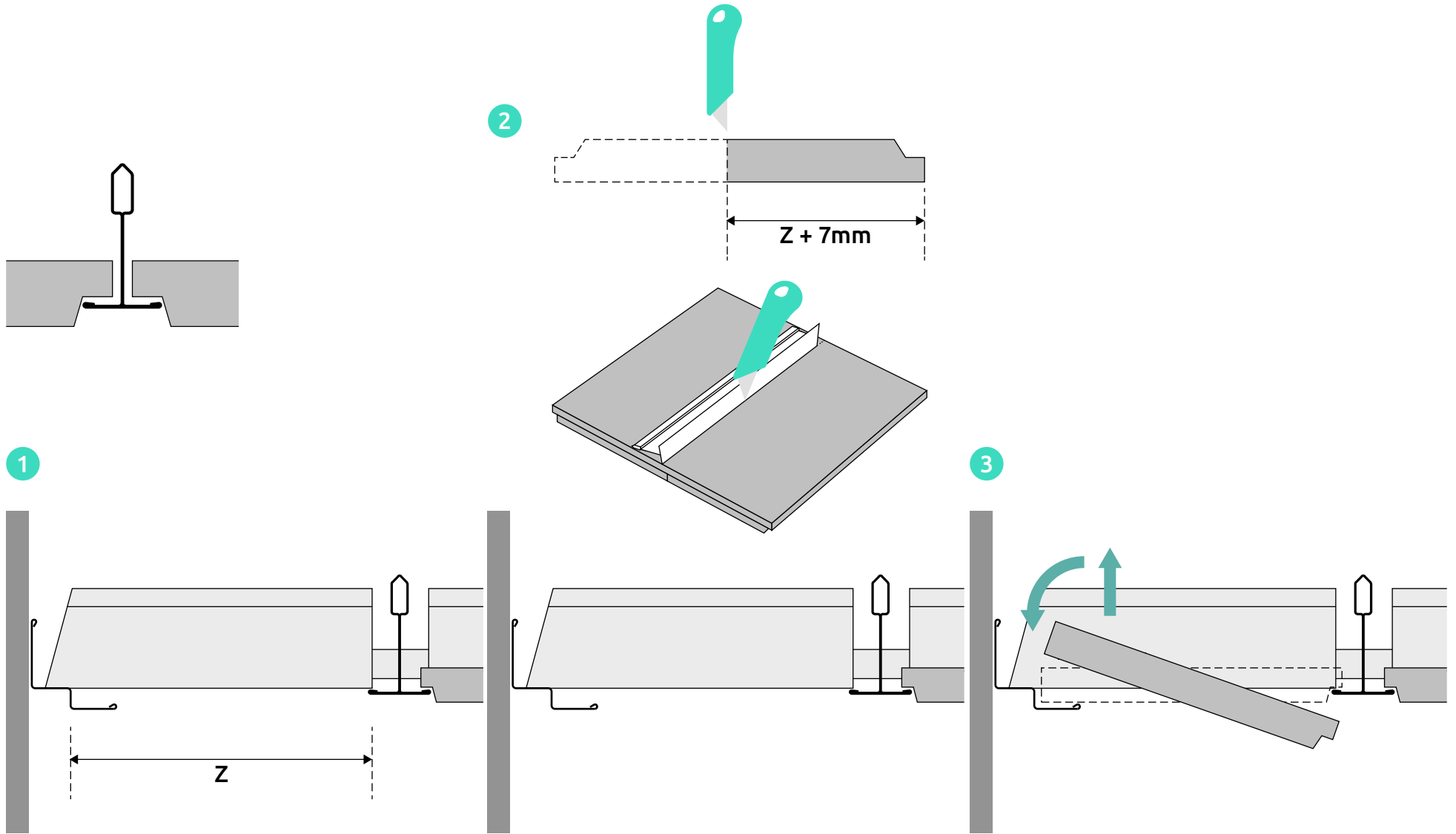


Tegular24 with angle trim

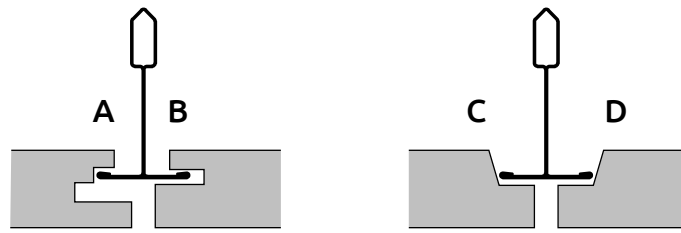
8.2



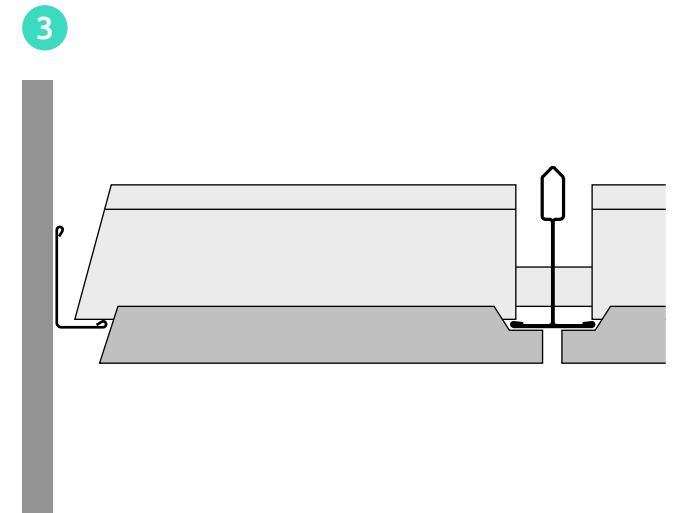
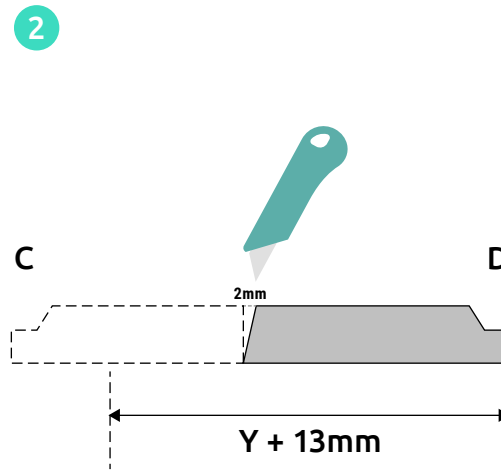
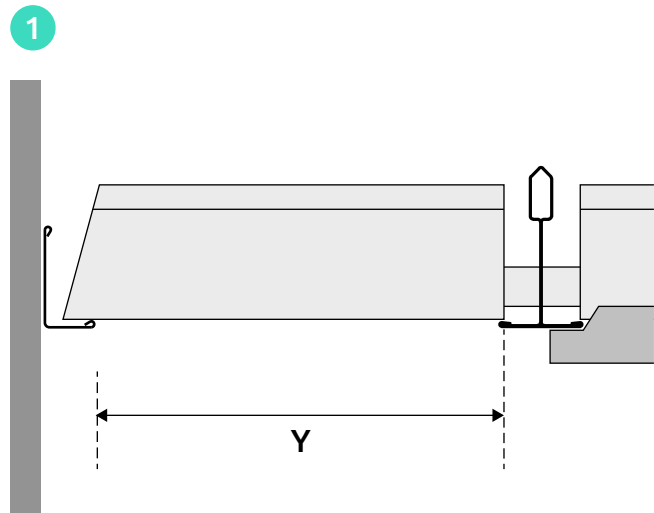
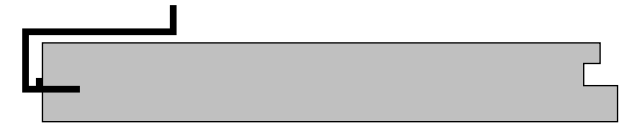
Tegular24 with shadowline



Integra with angle trim

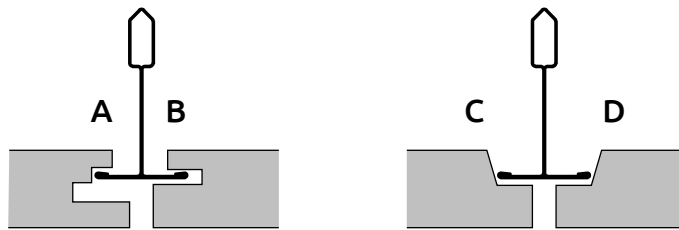


Use Integra board clips for corner tiles

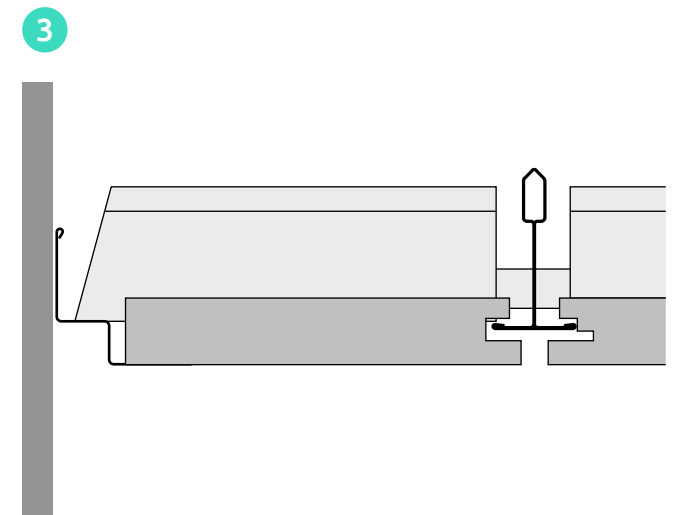
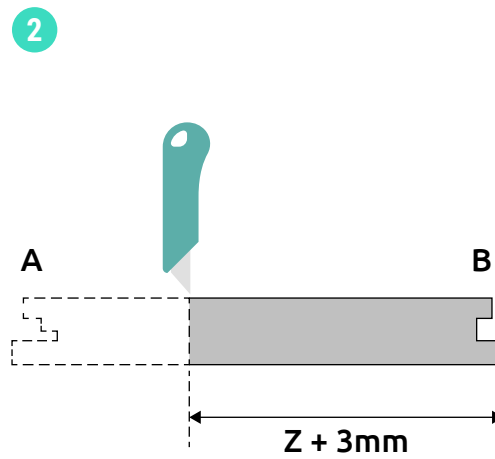
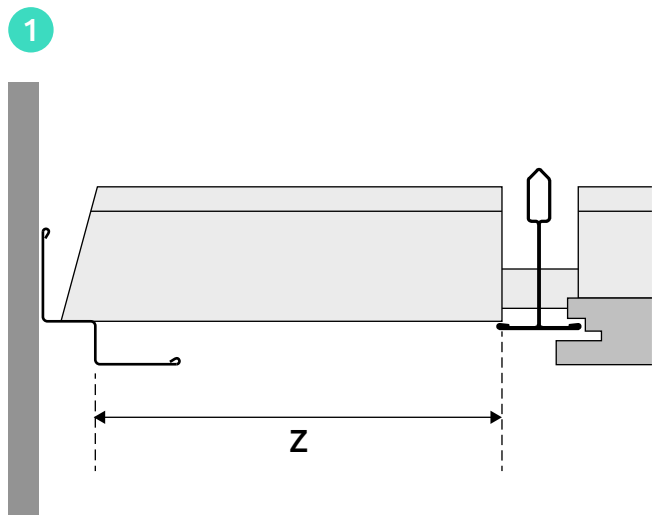


*Spacer bars are recommended at the perimeters of all installations to maintain proper tile alignment

Integra with shadowline



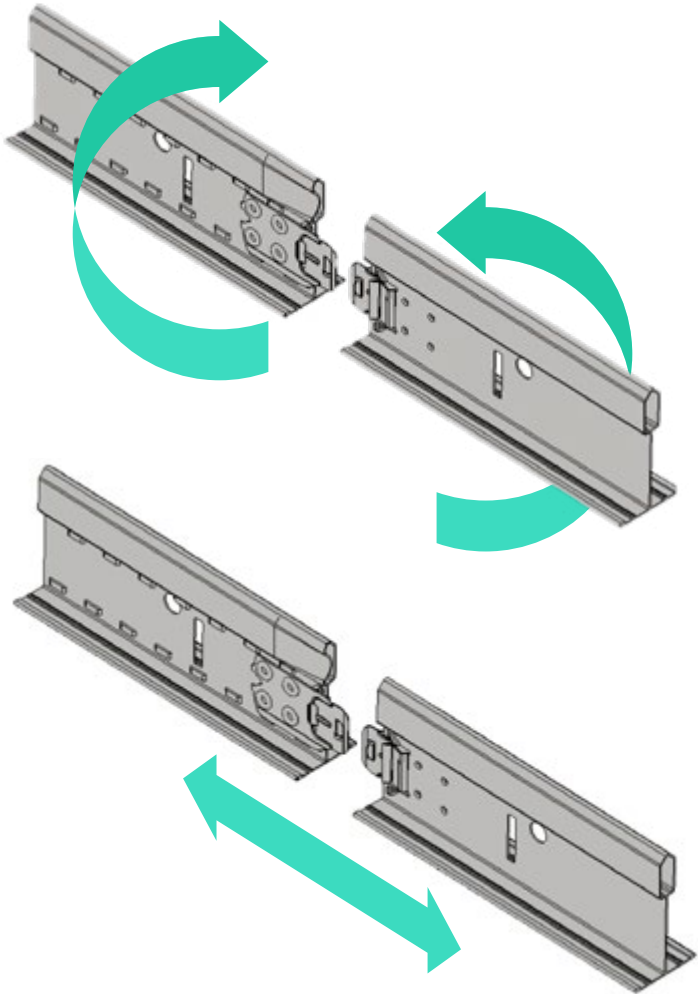
Where cut tiles are resting on the trim, border wedges may be necessary to maintain correct alignment



*Spacer bars are recommended at the perimeters of all installations to maintain proper tile alignment

Disassembly of two main runners

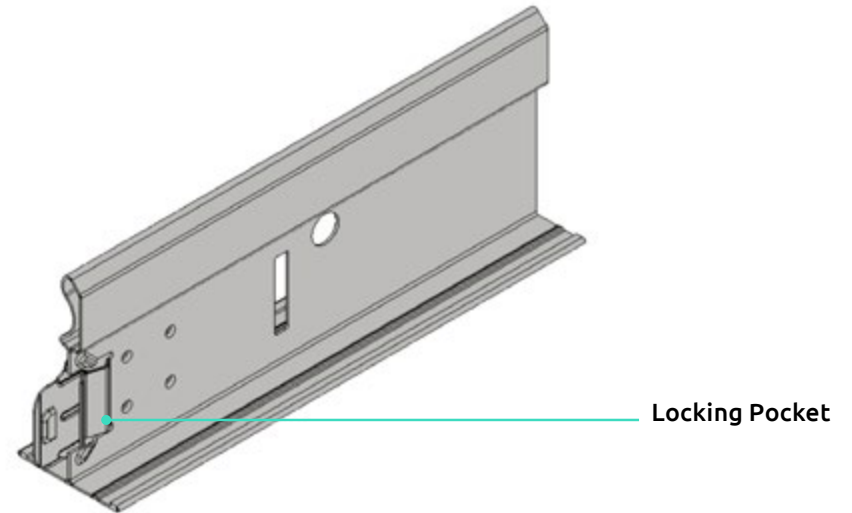
1 Twist both Main Runners back and forth



2 Pull both Main Runners out

3 Re-assembly operation of two Main Runners

Step 1: Push the locking pocket of both Main Runners firmly back to the original position

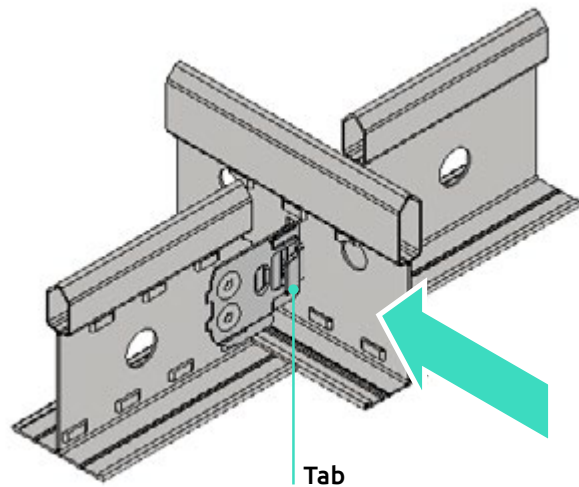


4 Step 2: Repeat the standard assembly process

Disassembly of two cross-tees (Butt Cut or Joggled)

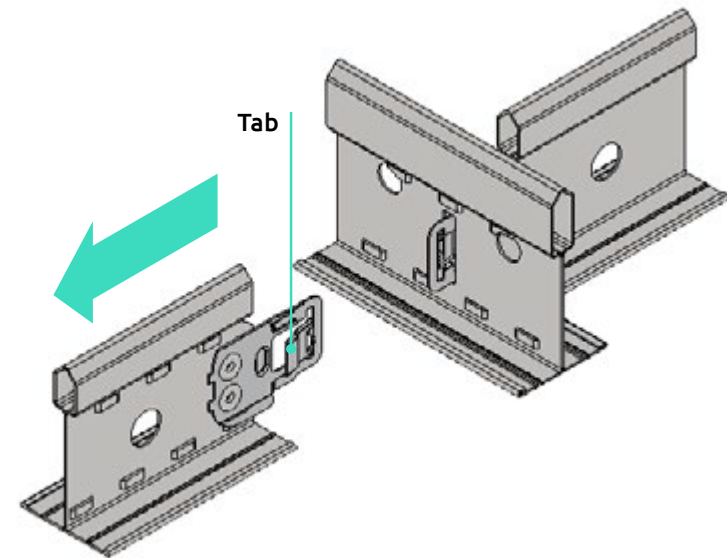
9.2

- 1 While holding the Main Runner firmly, fully push the tab of one of the Cross Tees (so the tab of the neighbour Cross Tee clip will be fully pushed too)



- 2 While pushing the tab, pull the Cross Tee out until it gets off the rout hole

- 3 Push the tab of the opposite Cross Tee while pulling it out (no need of holding the Main Runner during such operation)



- 4 **Re-assembly Operations of Cross Tees (Butt Cut or Joggled)**

In case of uninstalling the Cross Tees to be reused on the same or a different rout hole, slightly reopen manually the tab of both items.

The new Cross Tees can be assembled, disassembled and re-assembled with no damage to the grid or any need of special tools