

Axiom Blind Boxes

Extruded aluminium profiles for detailing perimeter blind boxes or concealed lighting features.

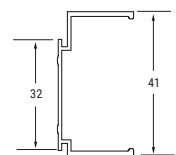
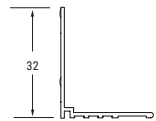
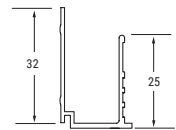
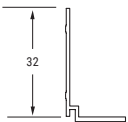
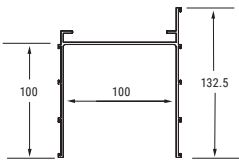
Key Features

- // Pre-engineered profiles using Axiom universal accessories for a secure and easy installation
- // Provide a sharp finish to integrate with suspended ceiling tiles or plasterboard ceilings
- // Factory finished, no on-site decoration required – save time on plastering, sanding and painting
- // All ceilings – perimeters / lighting features

Physical Data

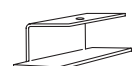
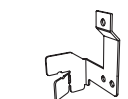
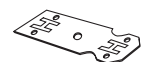
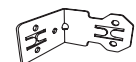
- // Material: aluminium
- // Surface finish: polyester powder paint
- // Colour: Global White / RAL 9010

Product Range



| Item No. | Description | Dimensions (mm) | | Standard Colours | |
|----------|---|-----------------|--------|------------------|----------------|
| | | Length | Height | Global White | White RAL 9010 |
| T 3250 | Axiom Blind Box 100mm | 3000 | 132.5 | • | • |
| T 3251 | Axiom Blind Box Perimeter angle | 3000 | 32 | • | • |
| T 3252 | Axiom Blind Box Transition upstand 13mm Board | 3000 | 32 | • | • |
| T 3253 | Axiom Blind Box Transition angle | 3000 | 32 | • | • |
| T 3254 | Axiom Blind Box Perimeter channel | 3000 | 41 | • | • |

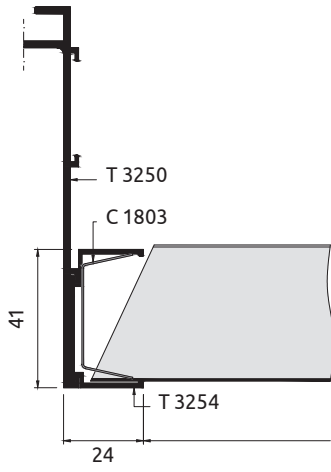
Accessories



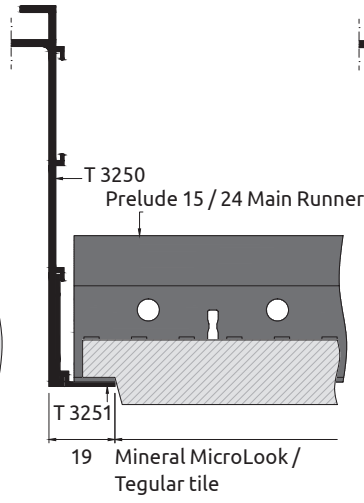
| Item No. | Description | Dimensions (mm) |
|----------|------------------------------|-----------------|
| | | Height |
| A 340 | Axiom Universal corner clip | - |
| A 338 | Axiom Universal splice plate | - |
| A 344 | Axiom Universal hanging clip | - |
| A 3255 | Hanger for Axiom Blind Box | 25 |

Cross Sections

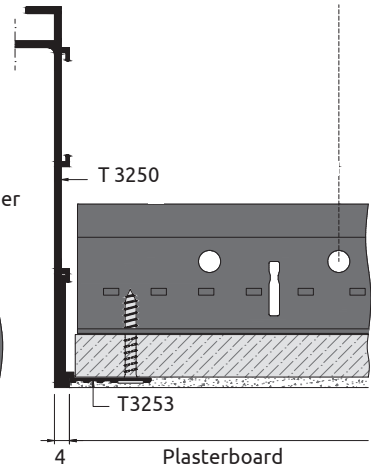
**Cross Section
Cut Metal Tile**



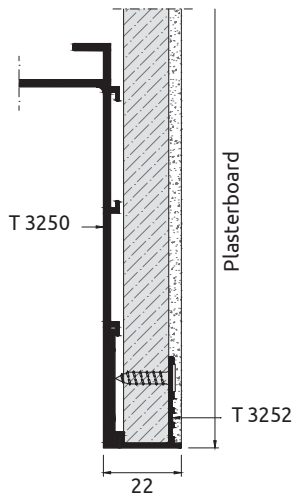
**Cross Section
MicroLook / Tegular**



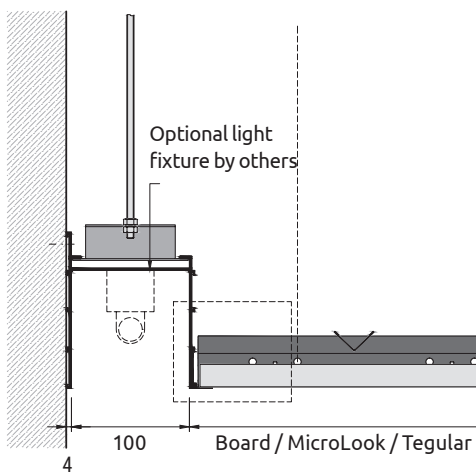
**Cross Section
Plasterboard Horizontal**



**Cross Section
Plasterboard Vertical**



**Axiom Blind Box
to Wall**



Sustainability



A+



EN 13964
E1

Fire Reaction



EEA Euroclass A2-s1, d0
EN 13501-1

**Performances
& Features**



Custom Options



Dimensions