


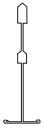

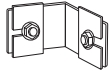
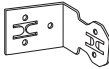
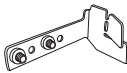
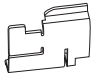
# Axiom L Canopy

## Installation Guide



# 01 Preparation

## Axiom L Canopy Components

Item No.	Description
 CS 534205	Axiom L profile (78.5mm height)
 404093 G	Prelude Sixty <sup>2</sup> main runner
 312021 A	Prelude 24 XL <sup>2</sup> cross tee
 A 390	Mitre corner connector
 A 340 J	Axiom universal corner clip
 A 339 J	Axiom Universal T-bar connector clip
 A 347 H	Axiom 24mm XL <sup>2</sup> connector clip

Axiom L Canopy is a modular suspension system supplied kit with ready-to-assemble components (partly listed above).

### Initial Recommendations

- ✔ Axiom L Canopies should always be installed in accordance with all applicable building codes and regulations.
- ✔ Axiom L Canopies, as any other architectural feature located in the ceiling plane, may obstruct or skew the existing or planned fire sprinkler distribution pattern or even delay the activation of the fire detection system. Designers and installers are advised to consult a fire protection engineer for guidance on the proper installation techniques where fire detection or suppression systems are present.
- ✔ Any additional load (such as light spots) **MUST NOT** be suspended from the canopy but independently from the soffit.
- ✔ Axiom L Canopies should be always installed on a horizontal plane.
- ✔ Axiom L Canopies are only suitable for indoor applications.
- ✔ Axiom L Canopies can reach a significant weight. In order to minimise the risk of injuries, the canopies should be installed by a minimum of 2 people.
- ✔ Suspension elements such as threaded rods, anchors or any other element not included in the kit must be chosen to ensure a safe installation and follow local regulations.
- ✔ It is recommended to assemble the canopy under the final ceiling location to avoid later movement.

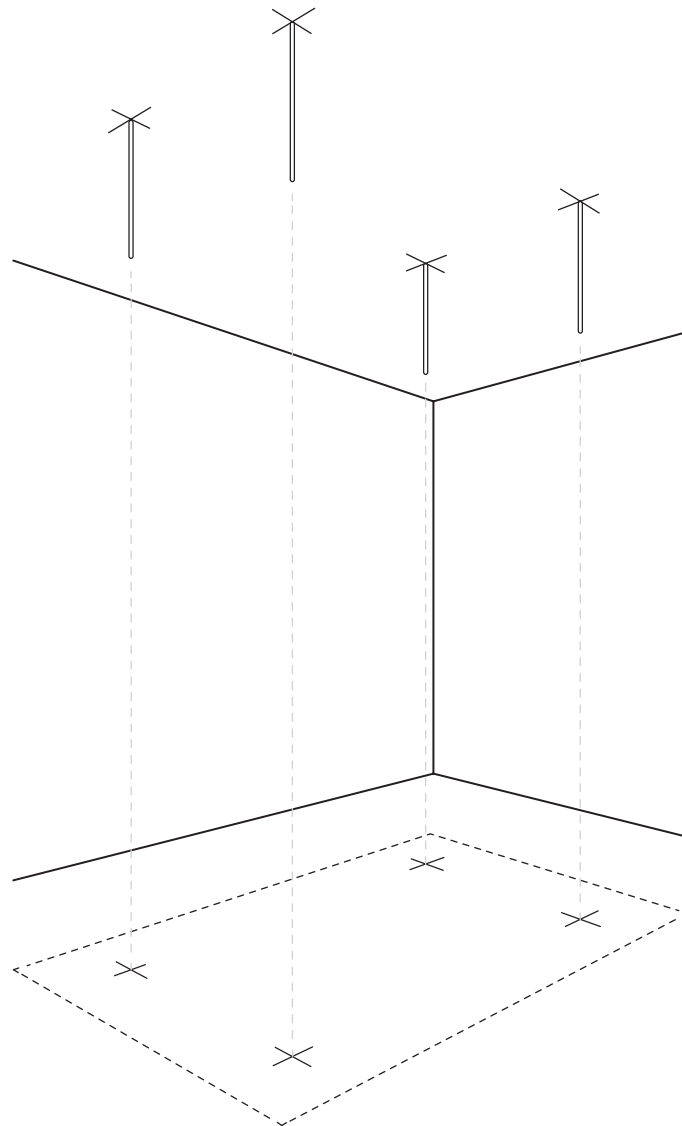
Gloves supplied in the kit are used to prevent marking the components during installation. They are **NOT** meant to be used as safety gloves.

## 01 Preparation

### Suspension Points

Suspension points should be determined before installing the canopy.

See the recommended suspension point matrix on the last page of this guide.

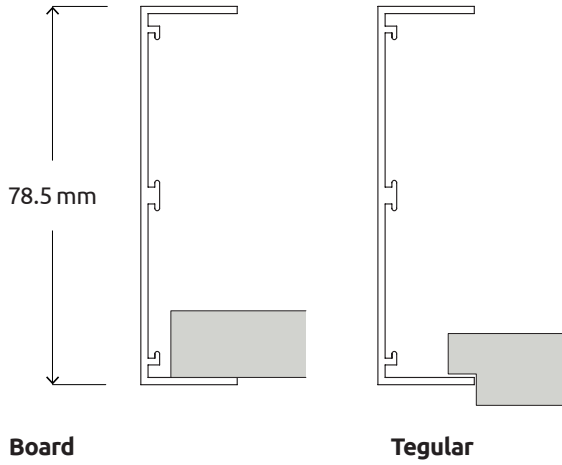


**1.8 x 2.4m module**

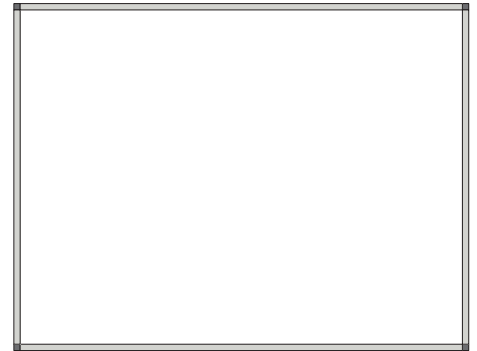


## 02 The Frame on the floor

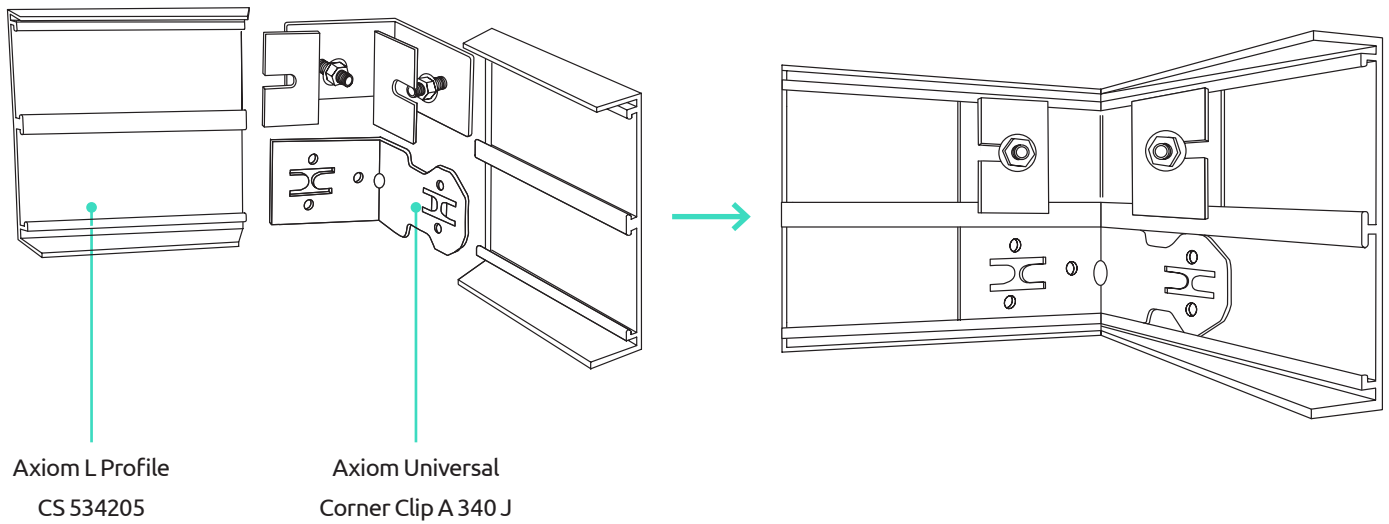
### Axiom L Profile



The 1.8 x 2.4m module

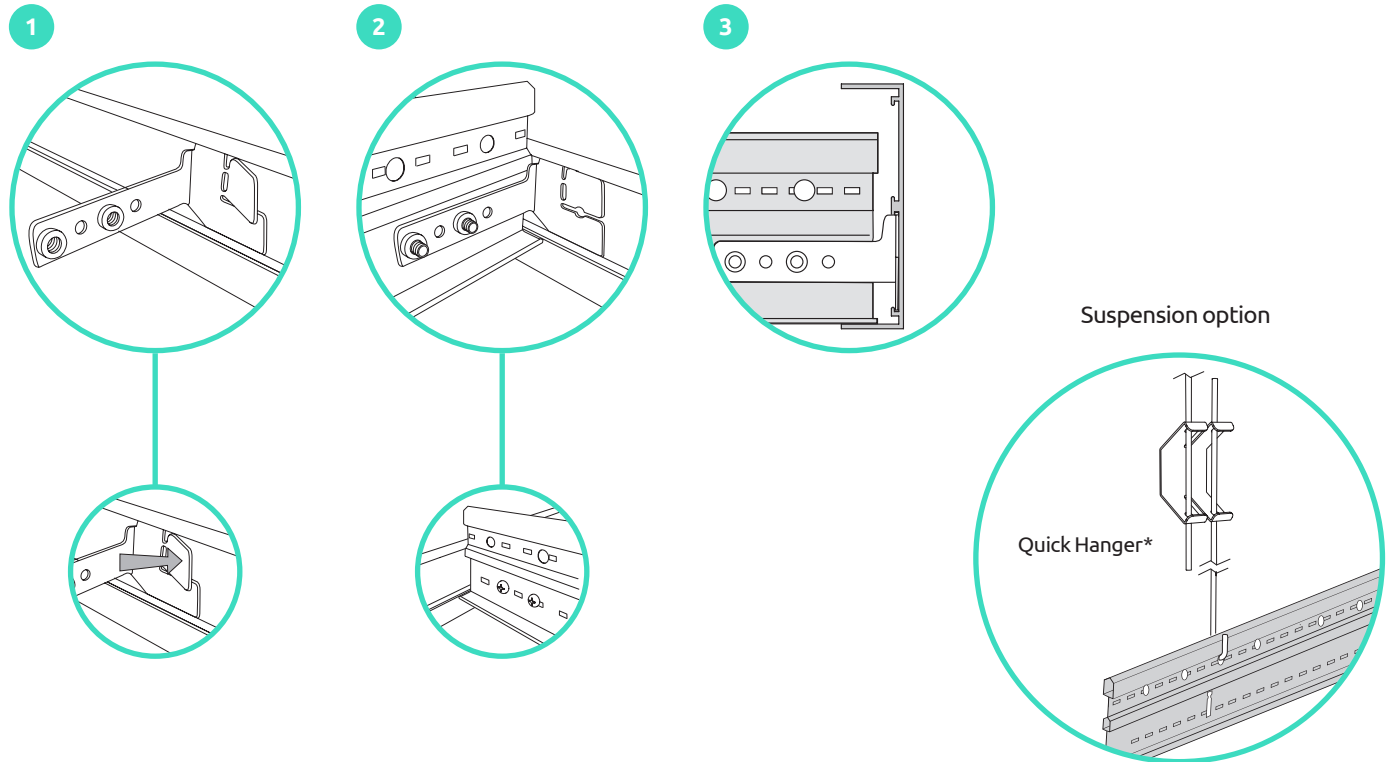
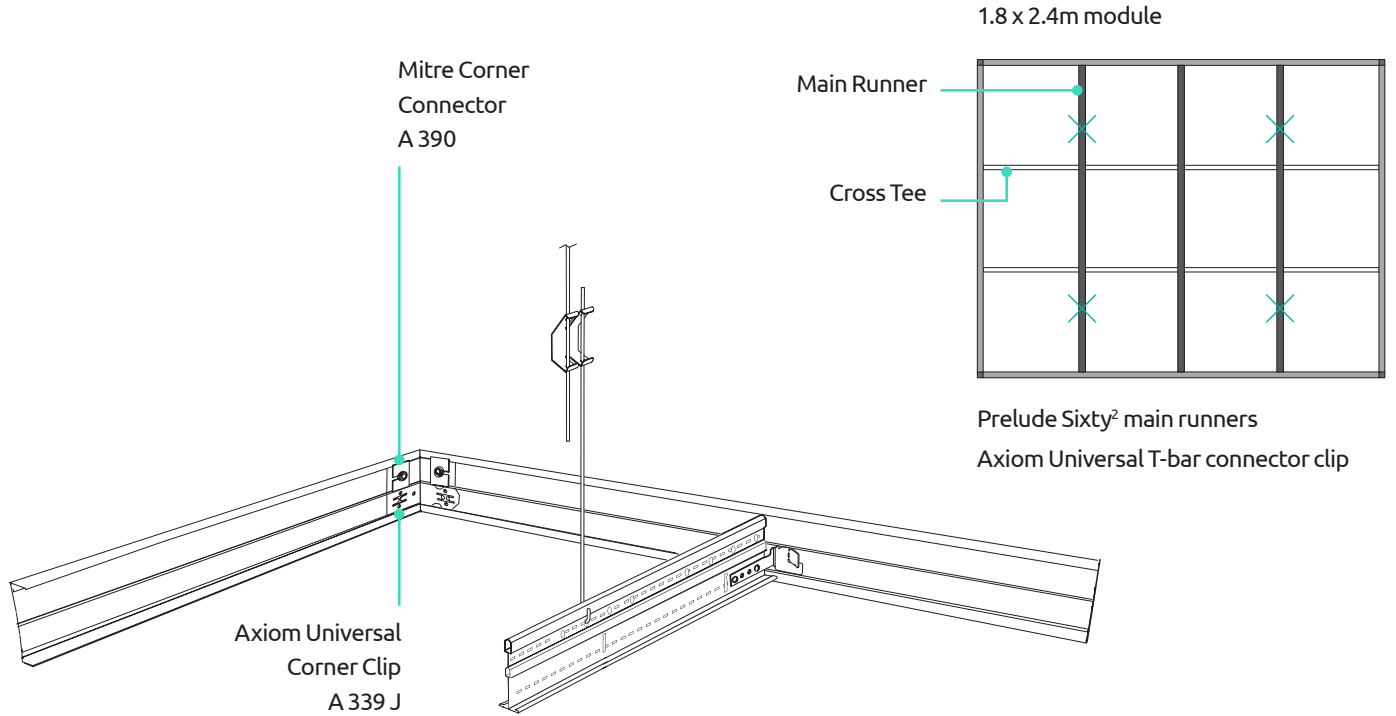


- 4 x Axiom L profiles
- 4 x Mitre corner connector A 390
- 4 x Axiom universal corner clip A 339 J



# 03 The Grid – Main Runner on the floor

## Prelude Sixty<sup>2</sup> Main Runner



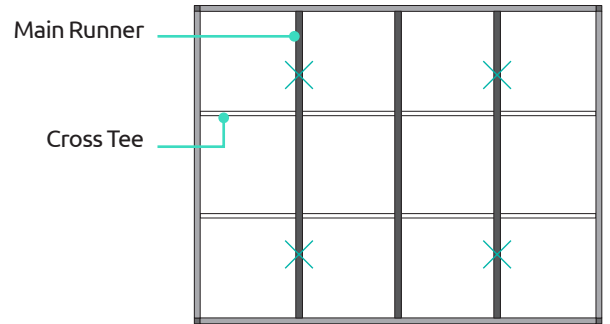
\*not included in the kit.  
Please contact your local Zentia office.

# 04 The Grid – Cross Tees

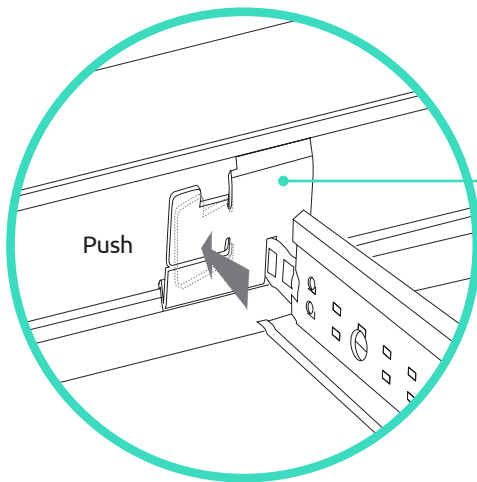
in the air

## Prelude 24XL<sup>2</sup> Cross Tees

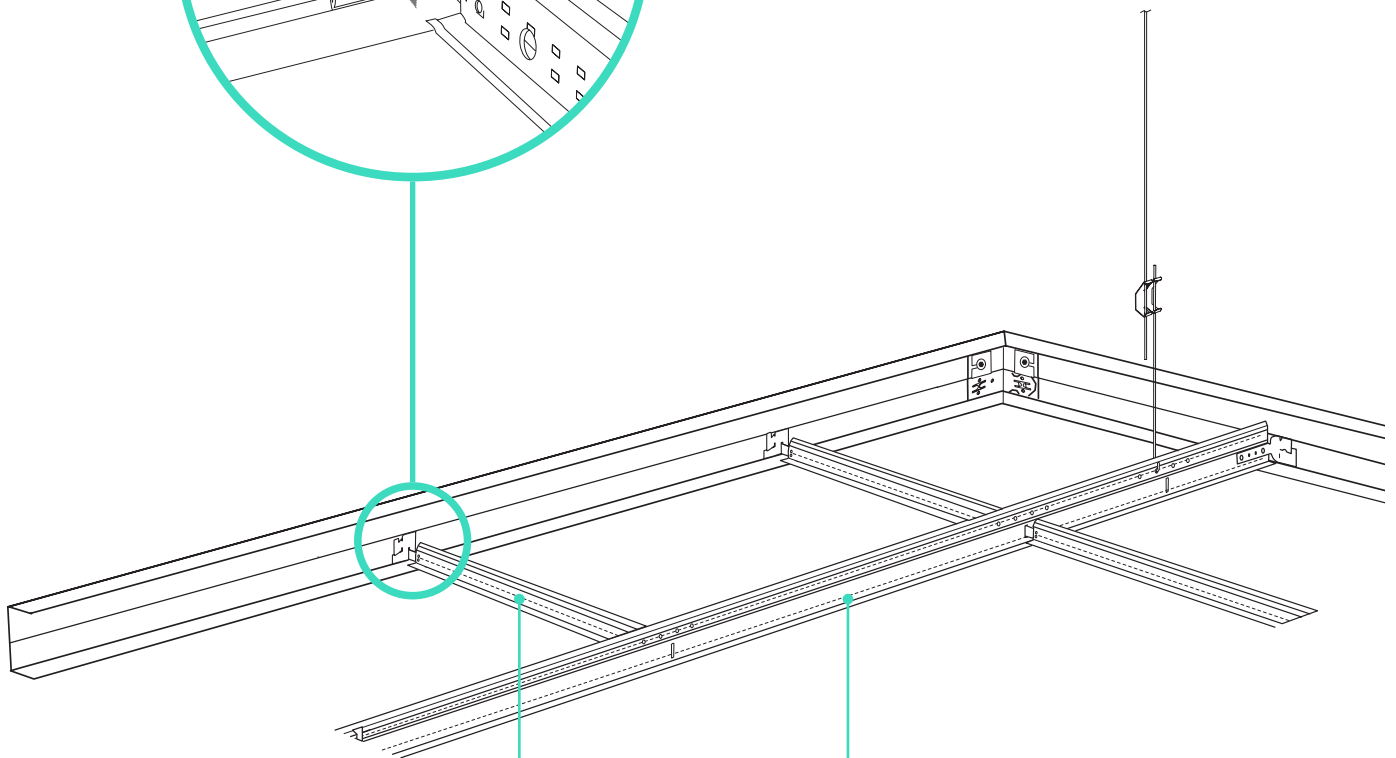
1.8 x 2.4m module



Axiom 24mm XL<sup>2</sup> connector clip  
Prelude 24 XL<sup>2</sup> cross tees



Axiom 24mm XL2 connector clip  
A 347 G

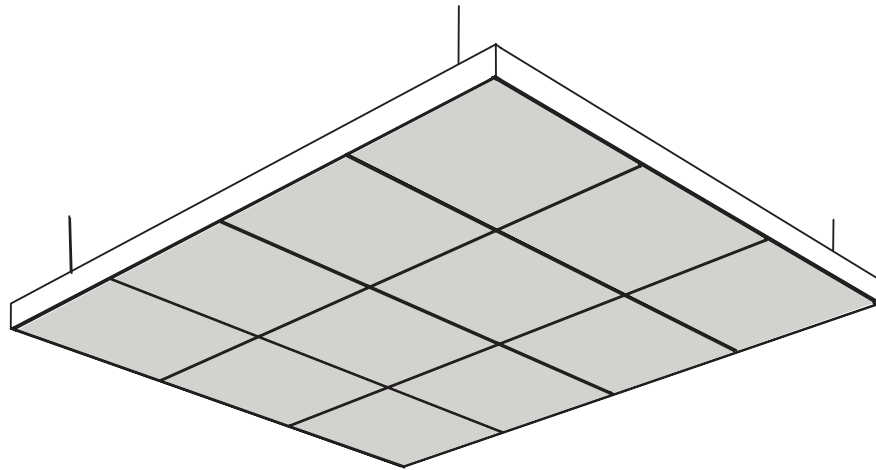


Standard 600mm  
XL<sup>2</sup> cross tee  
312021 A

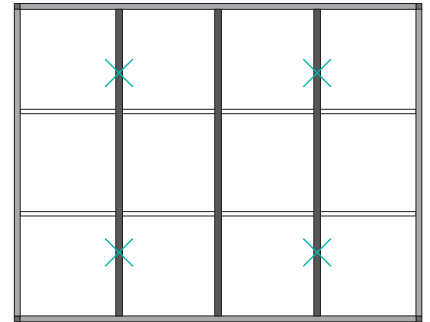
Pre cut main runner  
Prelude Sixty<sup>2</sup>  
404093 G

## 05 The Tiles

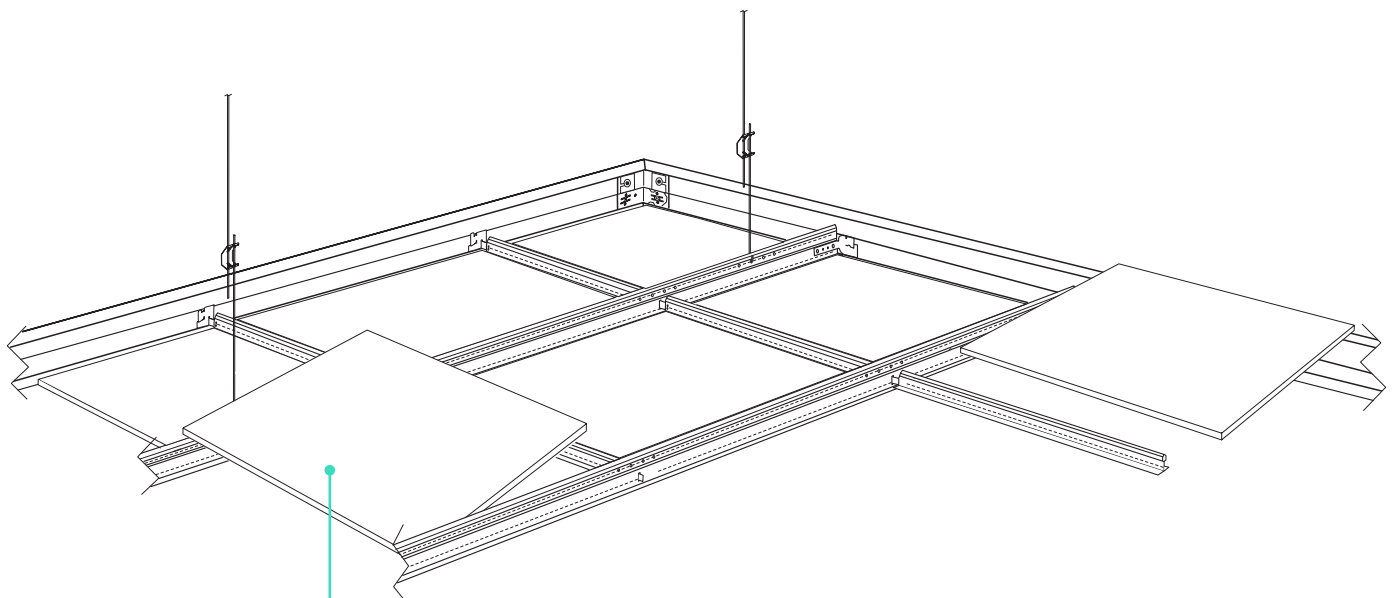
in the air



1.8 x 2.4m module



12 Tiles



Ceiling Tile  
600 x 600 mm

## 06 Physical Data

### Material

- Extruded aluminium profiles
- Axiom L is made from extruded aluminium, offers better registration, handling capability and finished appearance compared with standard cold-rolled steel

### Surface finish

- Polyester powder coated
- Global white

### Warranty

- For more information, please see our website

5 pre-packed, ready-to-assemble Axiom L Canopy kits, in standard modules (metric only).

Module	Grid system 24 mm XL <sup>2</sup> Item No.
2400 x 2400mm	CS AL 44 G24
2400 x 1800mm	CS AL 43 G24
2400 x 1200mm	CS AL 42 G24
1800 x 1800mm	CS AL 33 G24
1800 x 1200mm	CS AL 32 G24

**Kits are only available in specific markets due to constraints of logistic and associated costs. Ceiling tiles are NOT included in the kit.**

- Max. tile load: 5 kg/m<sup>2</sup>

For further information on customised size models please contact Zentia Technical Sales.

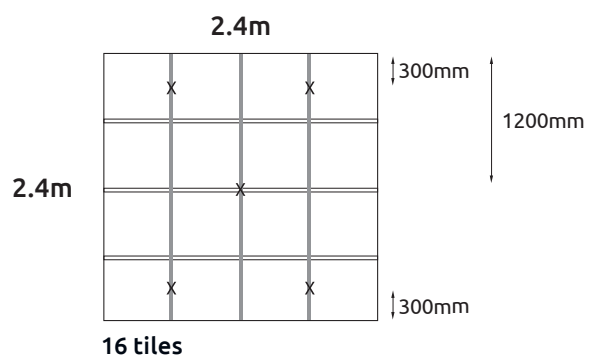
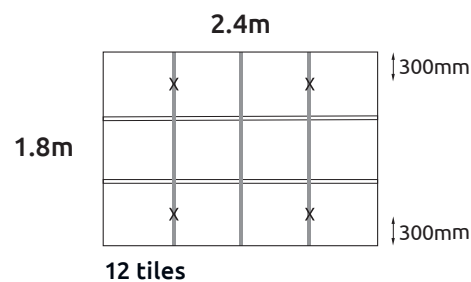
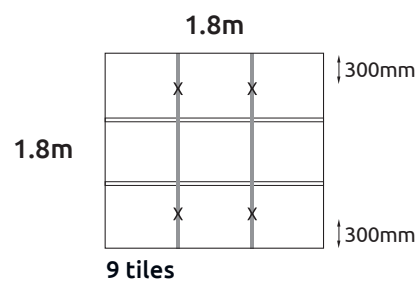
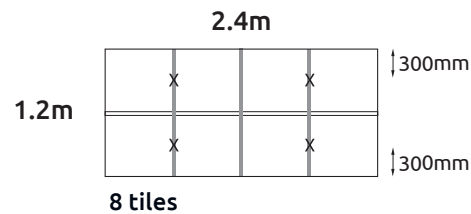
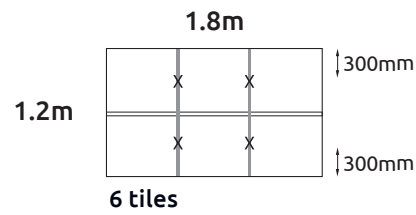
### Advisory note:

All statements and technical information contained in this brochure, or any publication of the companies named in this brochure, relating to Zentia are based on results obtained under laboratory test conditions.

It is the responsibility of the user to verify with the seller of the products in writing that such statements and information are appropriate to the specific use intended.

Sales of the products and liability of the selling companies are in accordance with the terms and conditions of sale of the selling company.

All product specifications are subject to modifications without prior notice.



- Main Runner
- C Channel
- X Fixing Point